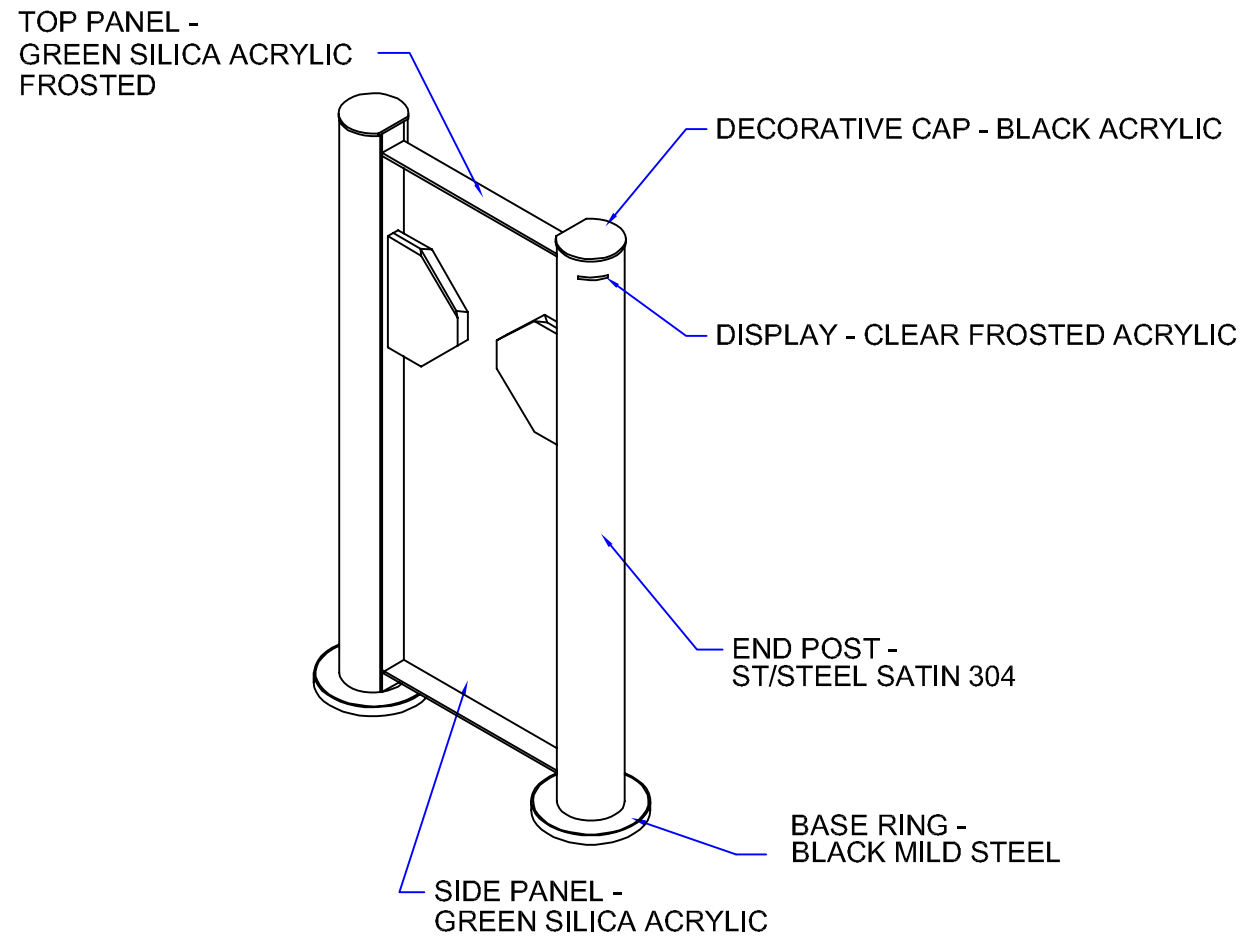
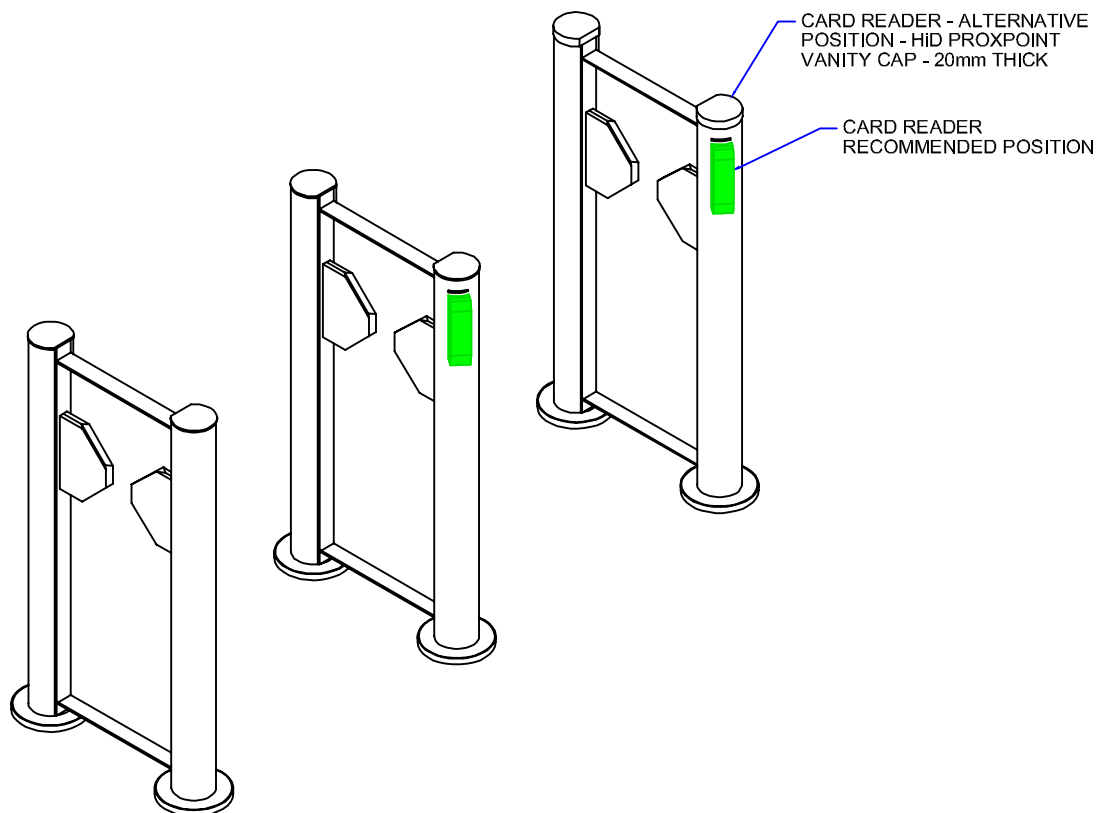


MATERIAL SPECIFICATIONS

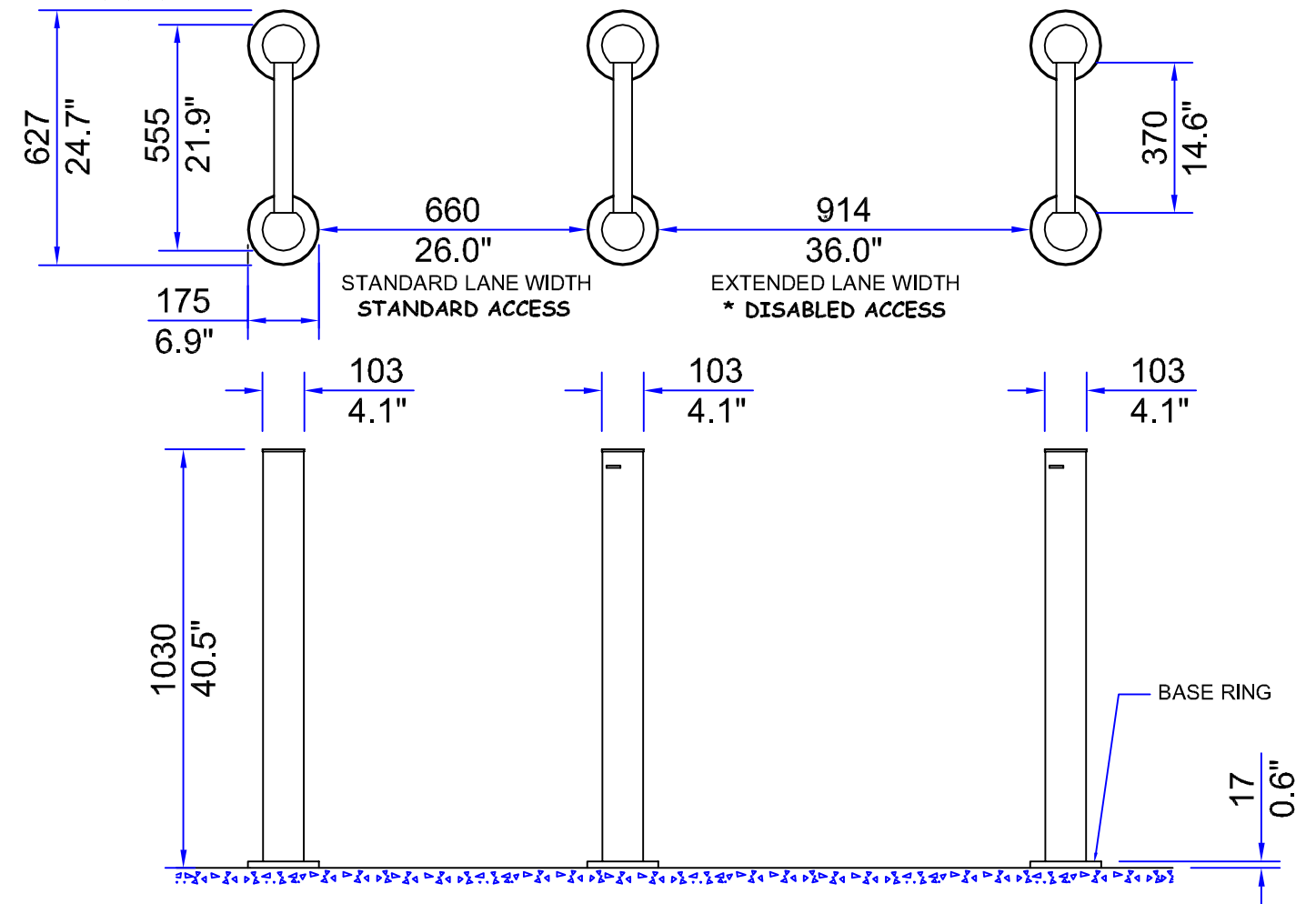


ALL STAINLESS STEEL IS 304 GRADE SATIN FINISH AND 240 GRIT WITH HORIZONTAL GRAIN

READER MOUNTING OPTIONS

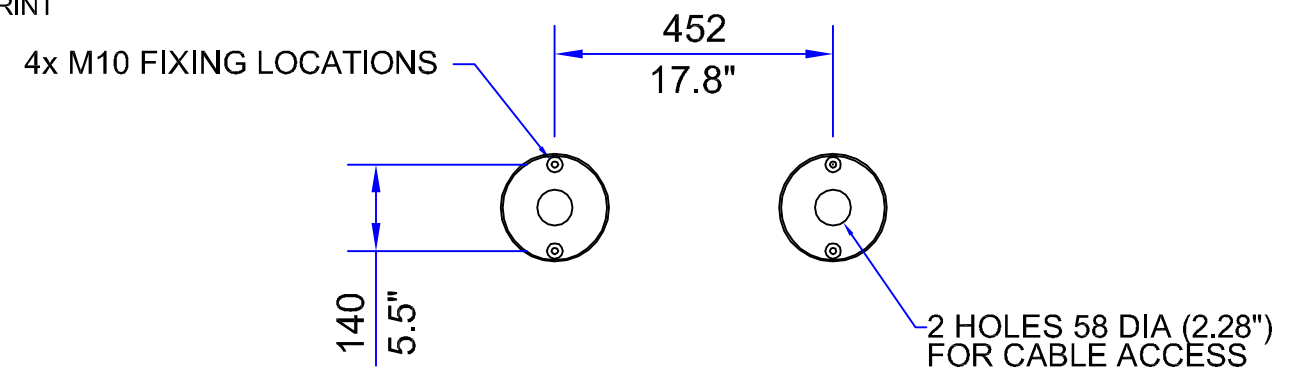


LANE LAYOUT & GENERAL DIMENSIONS



* SUBJECT TO LOCAL LEGISLATION

PEDESTAL FOOTPRINT



PRODUCT: CLEARSTYLE 200

TITLE: GENERAL INFORMATION

DRAWING No: CS200_A0

FOR SALES INFORMATION ONLY- SUBJECT TO CHANGE
ALL DIMENSIONS +/-2mm

This document is the copyright of Integrated Design LTD

