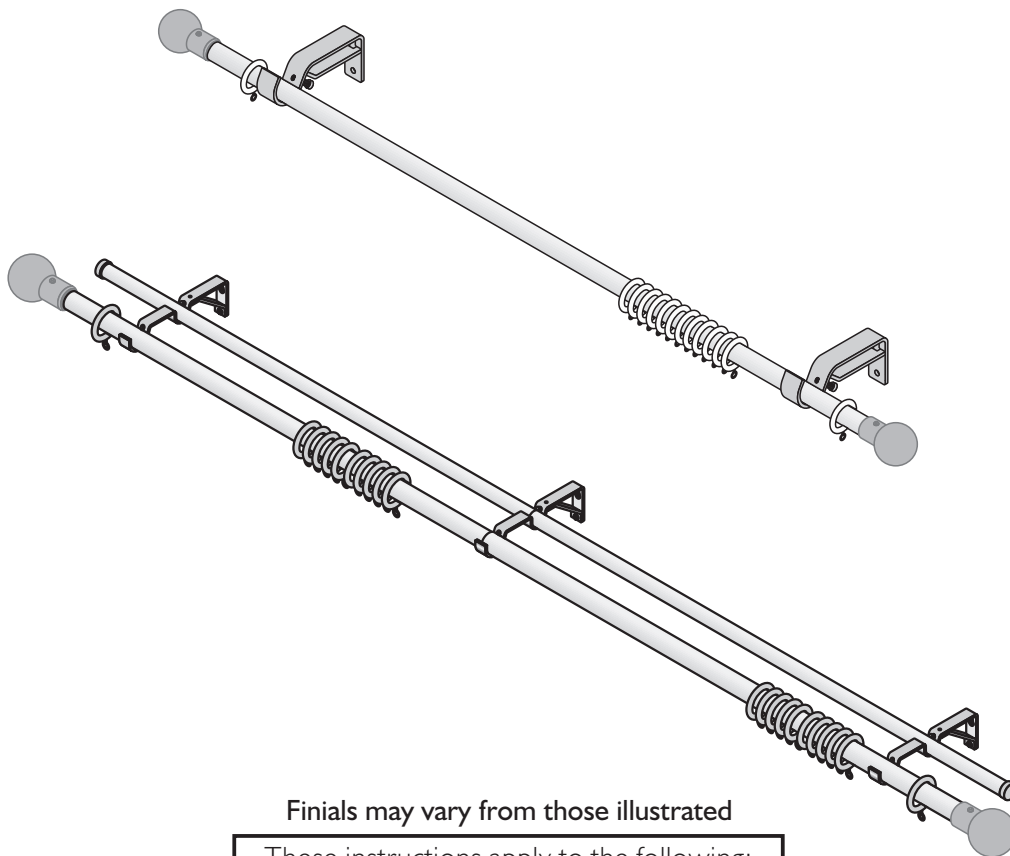


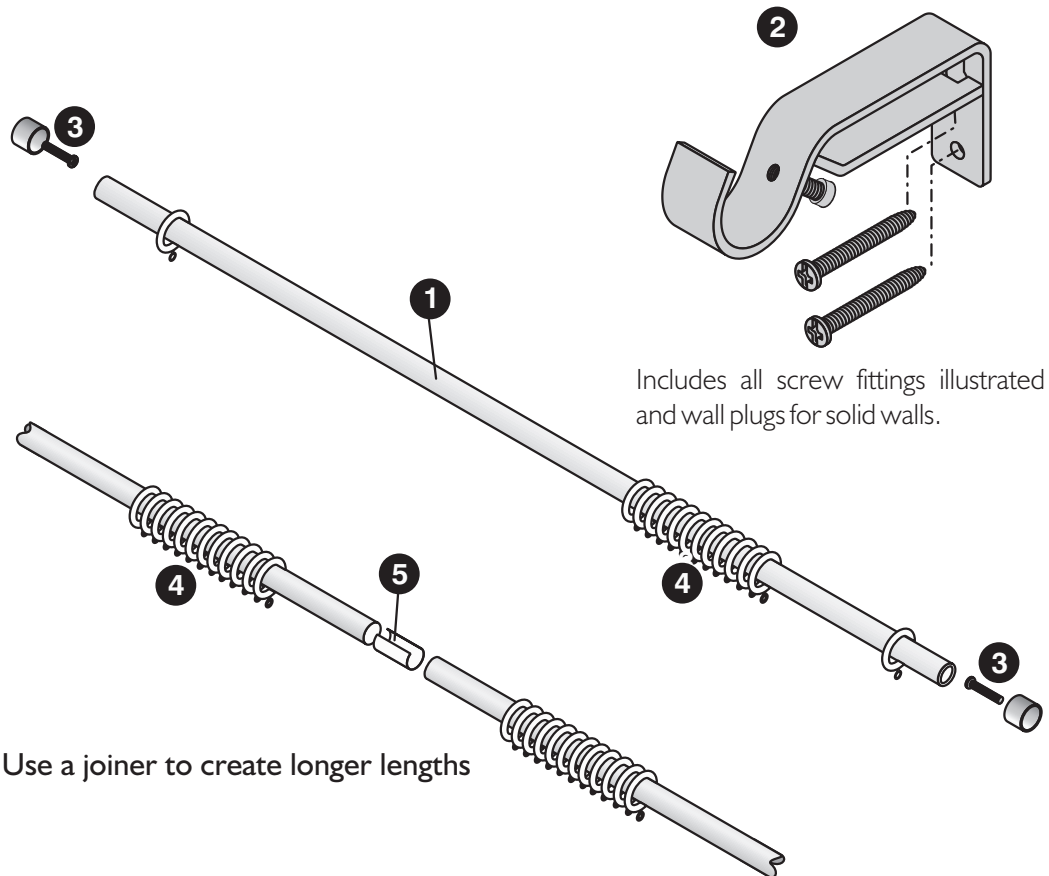
Single and Double Layering Poles



Finials may vary from those illustrated

These instructions apply to the following:
19, 28, 35 and 50mm Single poles
28/19mm Double Layering poles

Single Pole Components

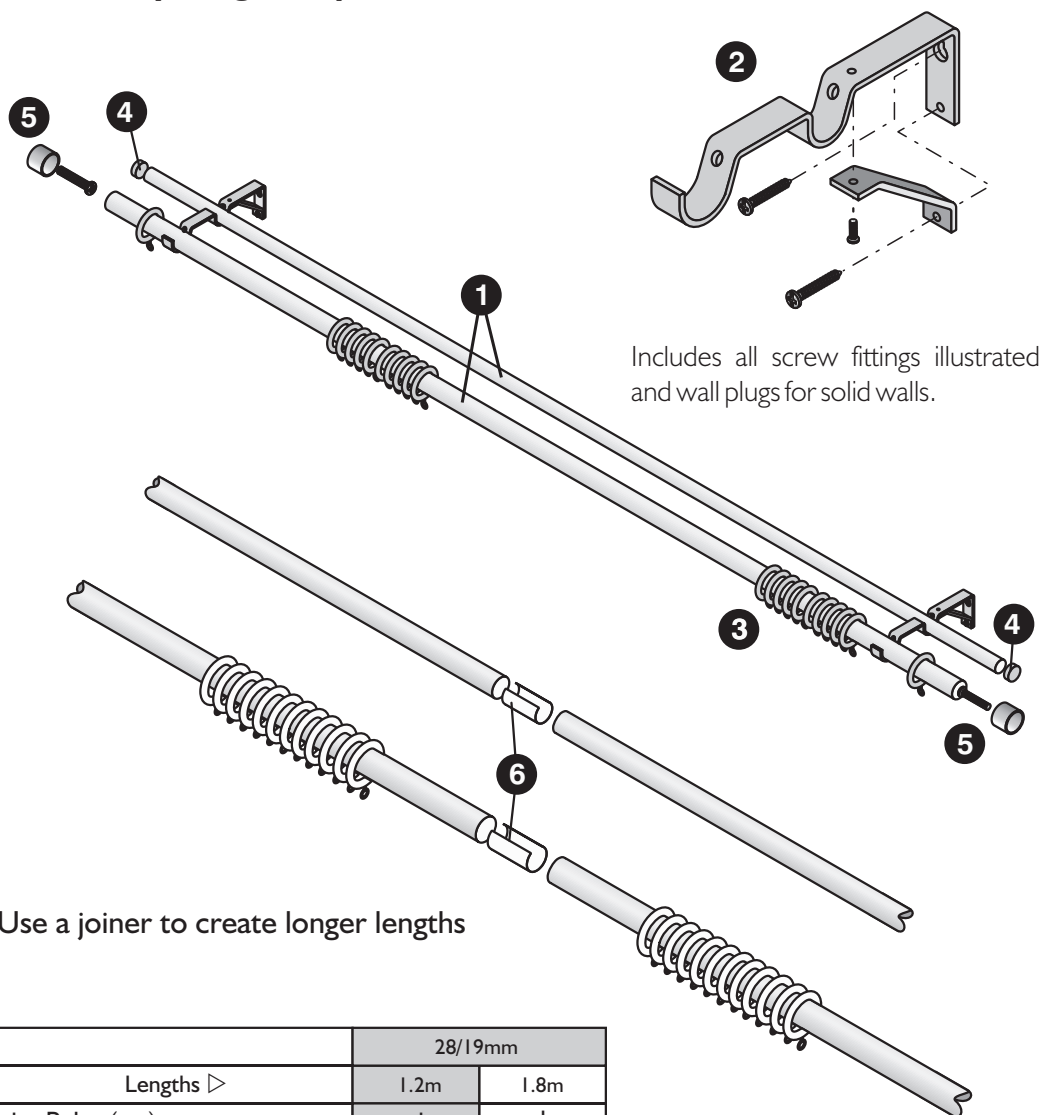


Use a joiner to create longer lengths

	19mm Dia.		28mm Dia.		35 and 50mm Dia.		
Lengths ▷	1.2m	1.8m	1.5m	1.8m	1.5m	1.8m	2.4m
1 Poles (set)	1	1	1	1	1	1	1
2 Brackets	2	2	Brackets sold separately*		2	2	3
3 Finial collars	2	2	2	2	2	2	2
4 Rings - available separately for all pole sizes							
5 Joiner - available separately for all pole sizes							
Finials sold separately	*28mm bay pole accessories available early 2007						

Should any component be missing, please call the Customer Care Department on 0800 515493.
Tools required: Steel Tape measure, Soft Pencil, Posi-Drive Screw Driver, Spirit level, Drill and Drill bits.

Double Layering Components



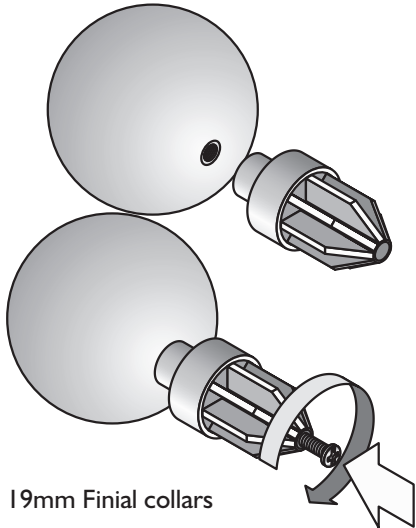
Use a joiner to create longer lengths

Lengths ▷	28/19mm	
	1.2m	1.8m
1 Poles (set)	1	1
2 Brackets	2	2
3 Rings* (28mm only)	Rings sold separately	
4 19mm End caps	2	2
5 28mm Finial collars	2	2
6 Joiner - available separately for 28 and 19mm poles		

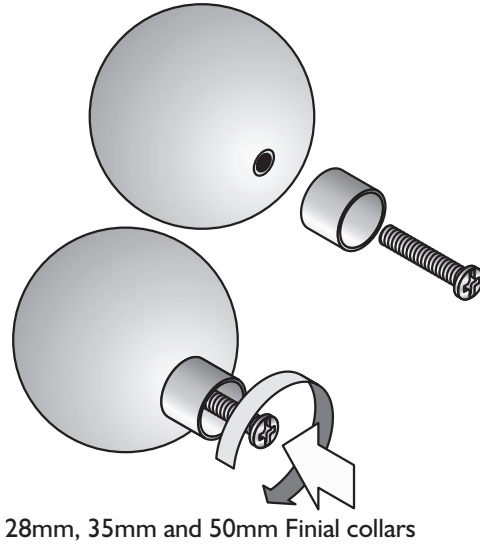
*19mm rings are available separately

1. Assembling Finials

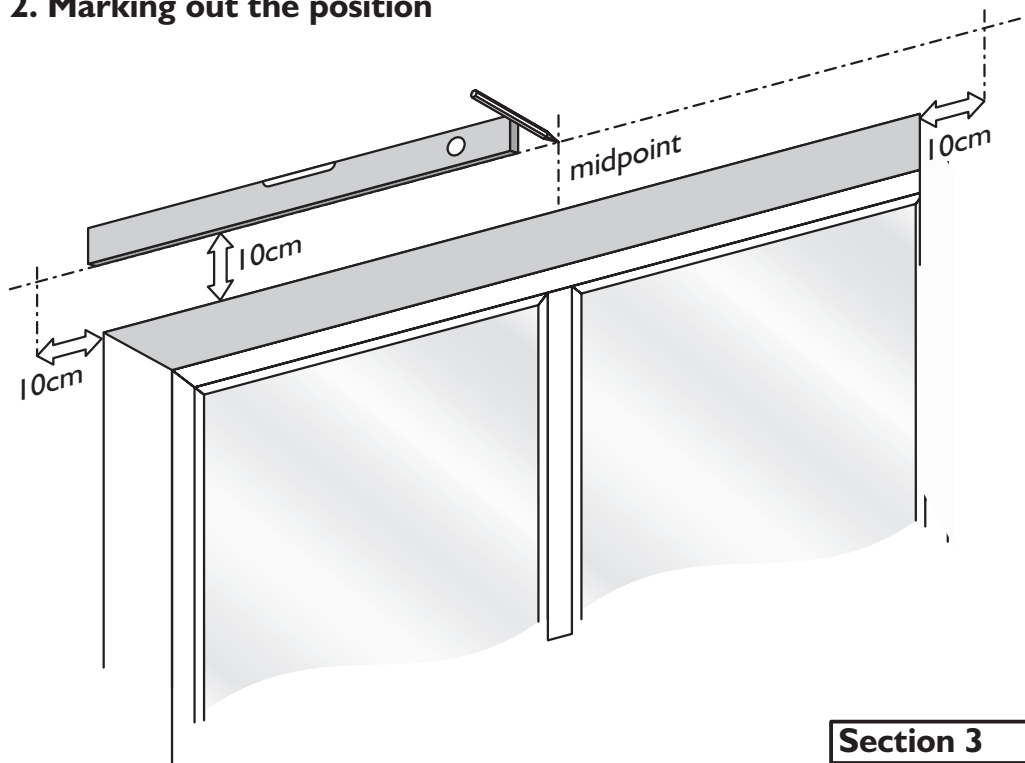
Assemble the finials as shown:



Finials may vary from those illustrated.

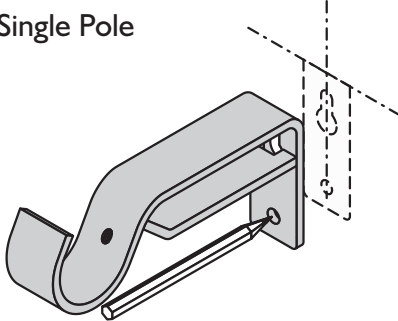


2. Marking out the position

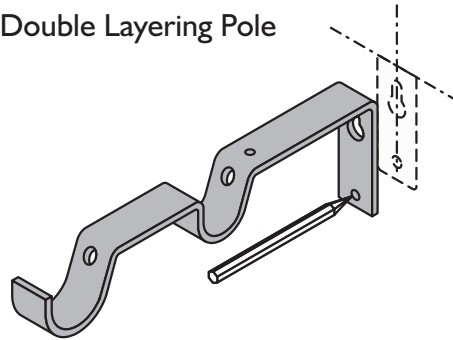


3. Fixing brackets

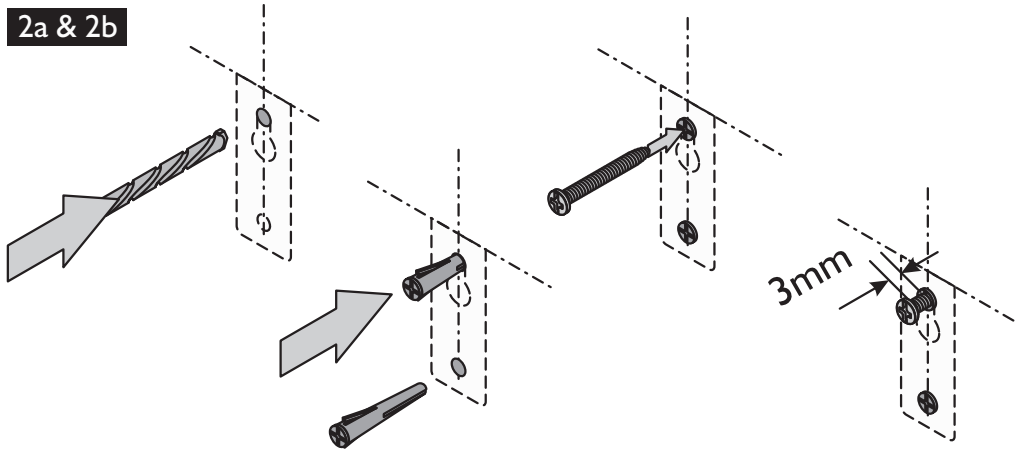
1a Single Pole



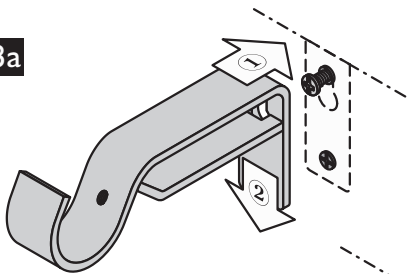
1b Double Layering Pole



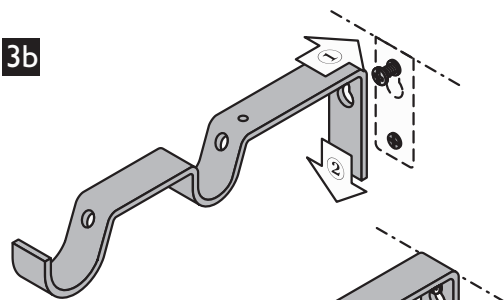
2a & 2b



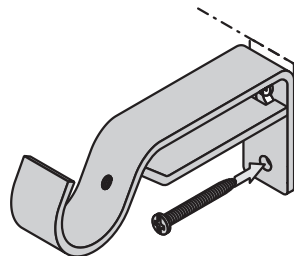
3a



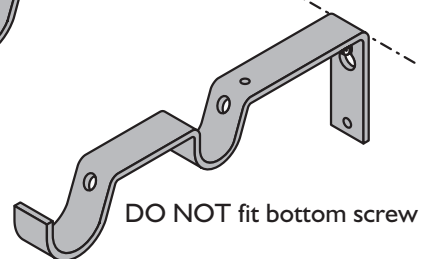
3b



4a



4b

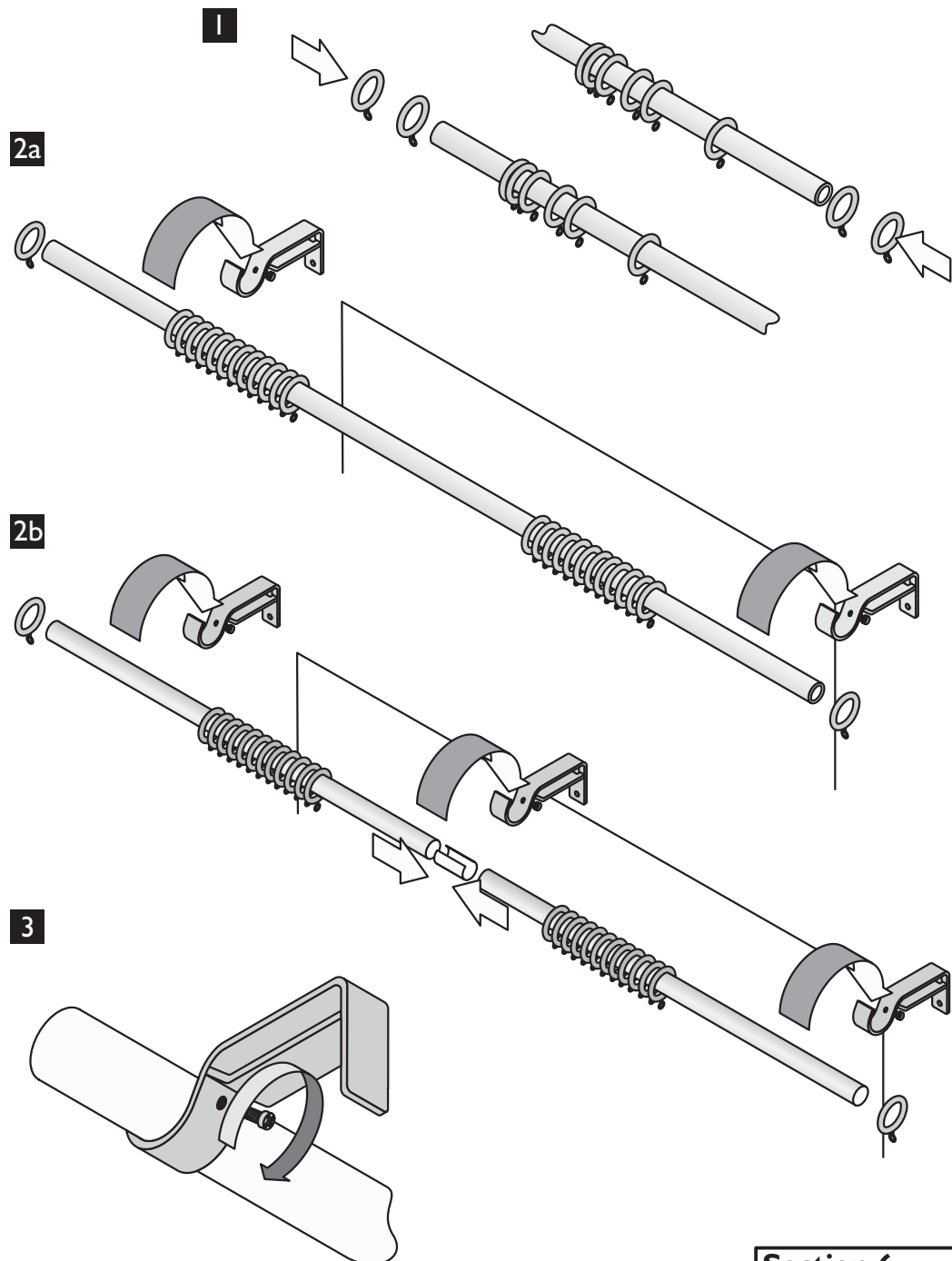


Section 4

Section 5

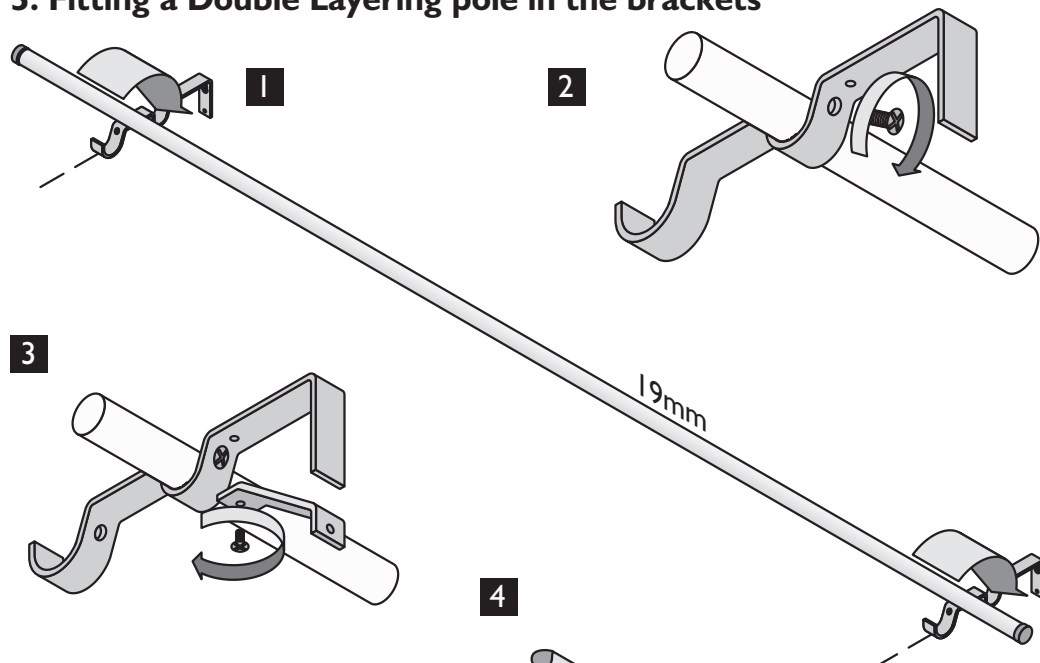
4. Fitting a single pole in the brackets

For all 19, 28, 35 and 50mm poles

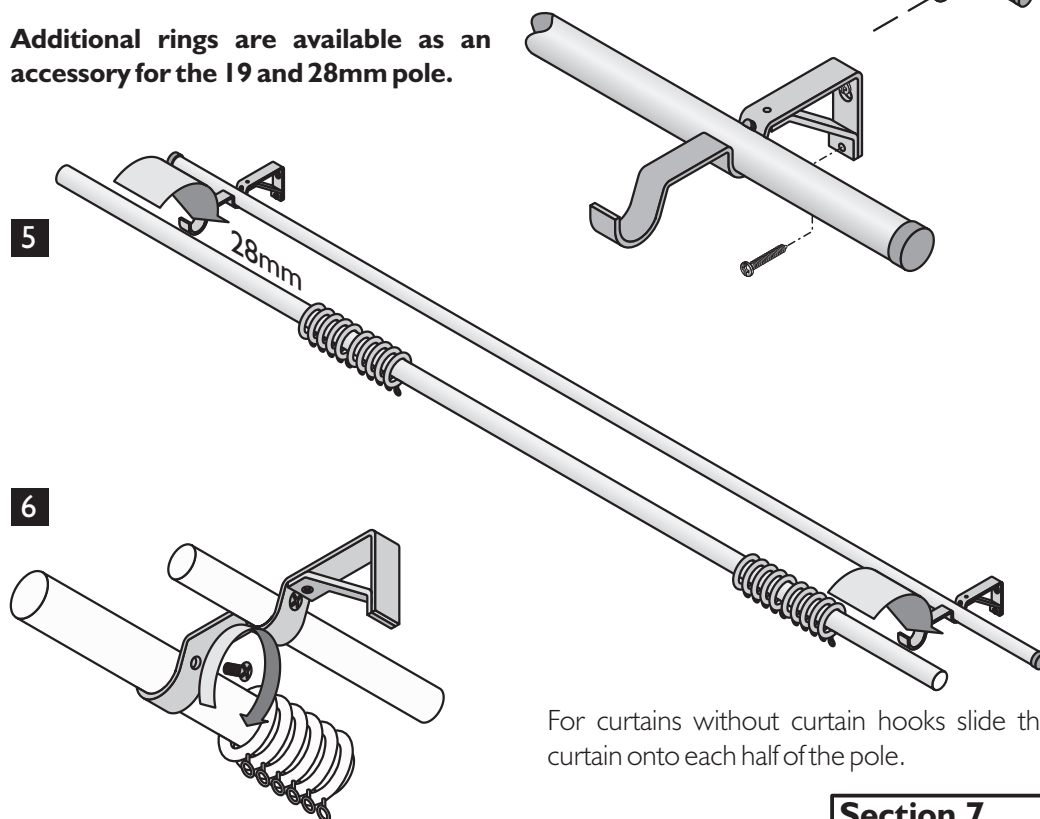


Section 6

5. Fitting a Double Layering pole in the brackets



Additional rings are available as an accessory for the 19 and 28mm pole.

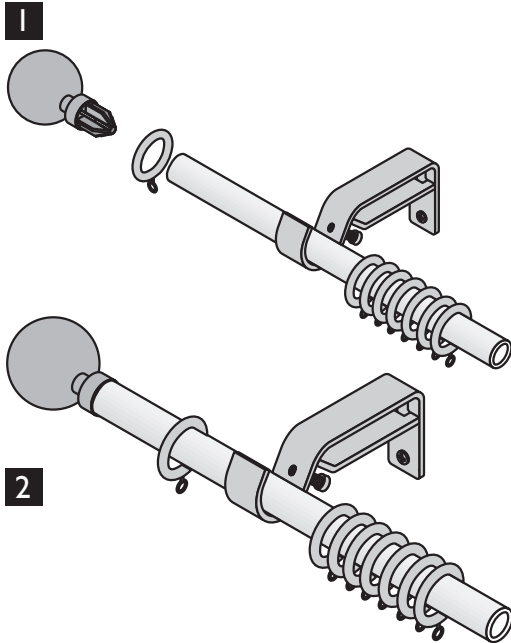


For curtains without curtain hooks slide the curtain onto each half of the pole.

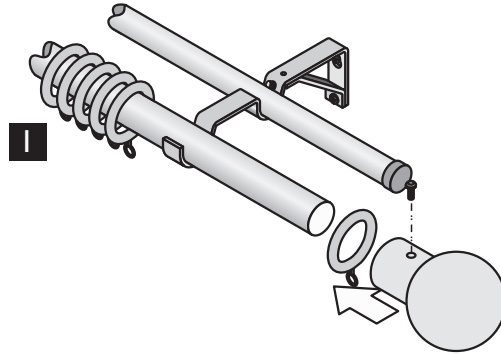
Section 7

6. Fitting Finials (Single Pole)

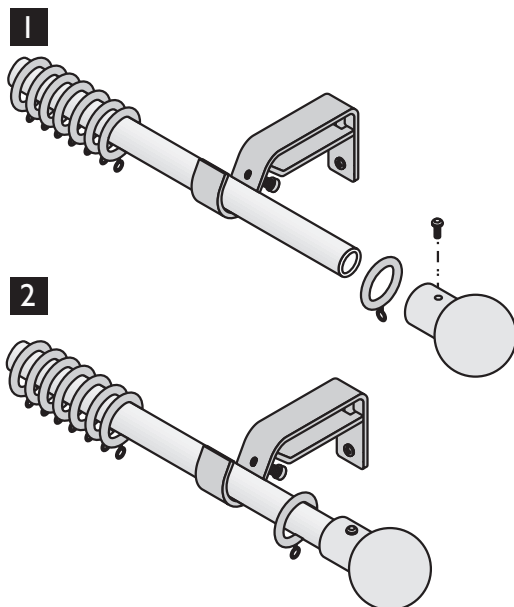
19mm push in Finials



7. Fitting Finials (Double Layering Poles)



28, 35 and 50mm push on Finials



Safety

- Do not attempt to fit the poles if you are tired, intoxicated or suffer giddiness when off the ground.
- Only use a step ladder or stable chair to reach batten and/or wall fixing height.
- Never over reach- move the step ladder or chair and keep both feet firmly fixed.
- Do not hold or lean on the poles to support your weight.
- Use two people for the installation of longer poles.
- Take care when using power tools, use of a Residual Current Device (RCD) is recommended.
- Always wear eye protection when drilling.
- Beware of hidden pipe runs and cables.

 **integra**

Integra Products Ltd, Eastern Avenue, Lichfield, Staffordshire WS13 7SB
▪ tel: +44 (0)1543 267100 ▪ fax: +44 (0)1543 267105
▪ email: cus.care@integra-products.co.uk ▪ web: www.integra-products.co.uk