

# Shell 10 Slim Bolt-Through Counter Mount Instructions

## Contents:

Items Supplied / Required

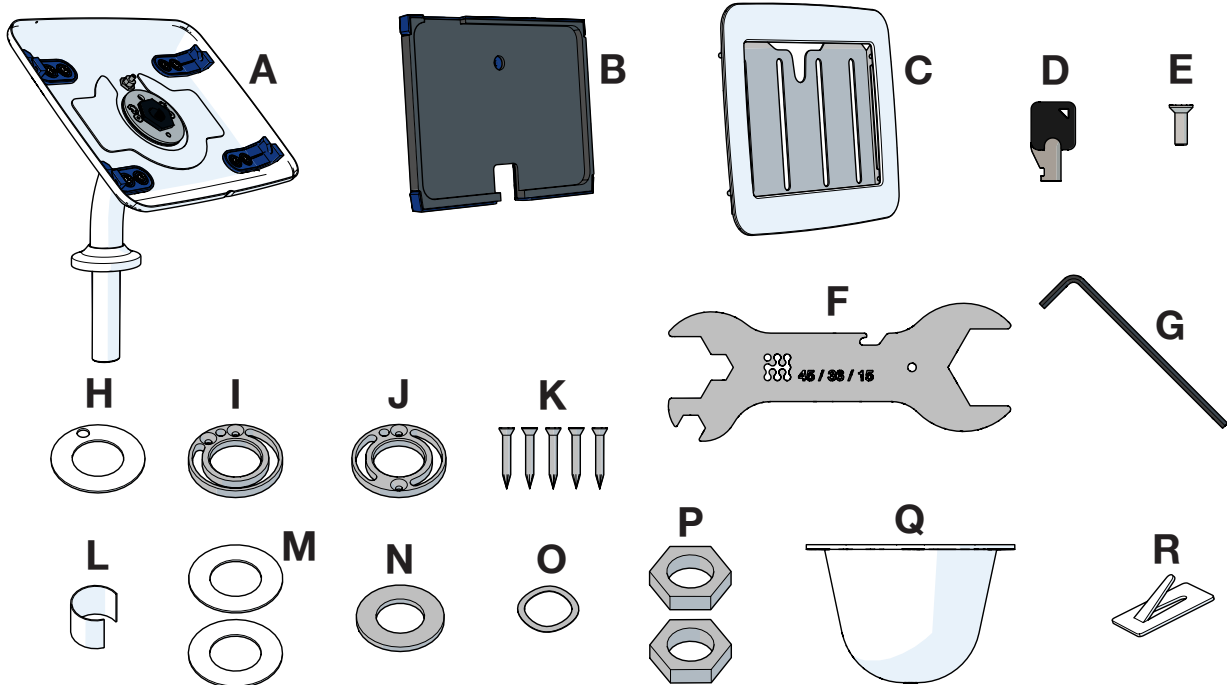
A - Mount Installation

B - Enclosure Set Up

Applicable To:

018S\_10\_120

## Items Supplied



A - Rear Enclosure and Pillar

B - Tablet Tray

C - Bezel and Cassette

D - Enclosure Key

E - Enclosure Rotation Screw

F - iH Spanner

G - 3mm Allen/Hex Key

H - Pillar Washer

I - 270° Swivel Ring

J - 90/130° Swivel Ring

K - Wood Screws x 5

L - Pillar Thread Sleeve (*Trim to suit counter thickness*)

M - Plastic Washer x2

N - Steel Washer

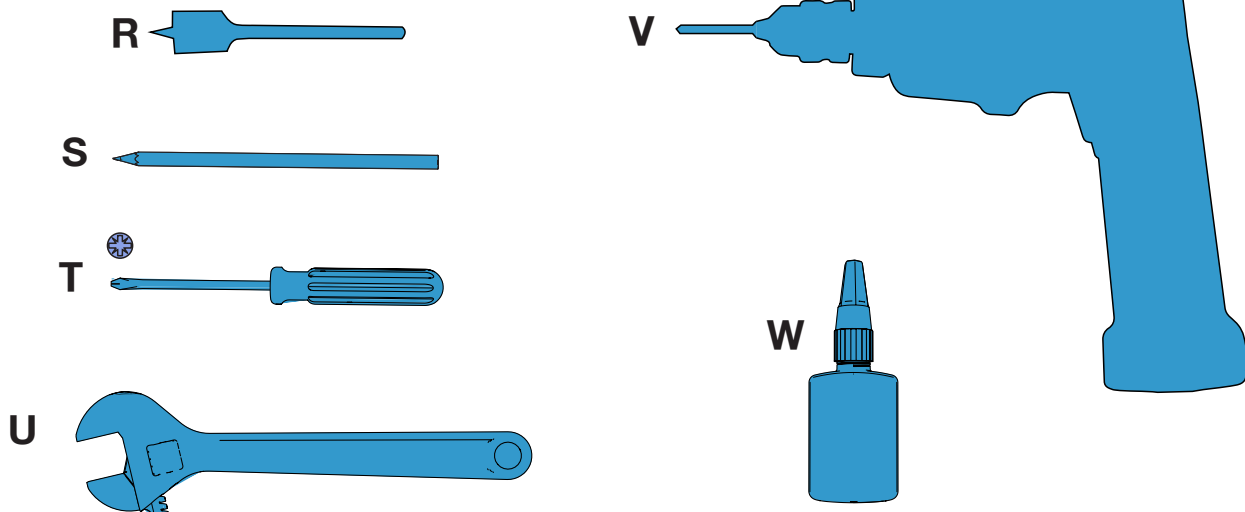
O - Wave Washer

P - Large Nut x2 (M30)

Q - Under Counter Pillar and Cable Cover

R - Cable Clip

## Additional Items Required



R - 32mm Hole Cutter

S - Pencil

T - Phillips Head Screwdriver

U - Adjustable Spanner (to suit 45mm Across Flats Nut)

V - Drill (bit 2mm/2.4mm)

W - Medium Strength Thread Lock



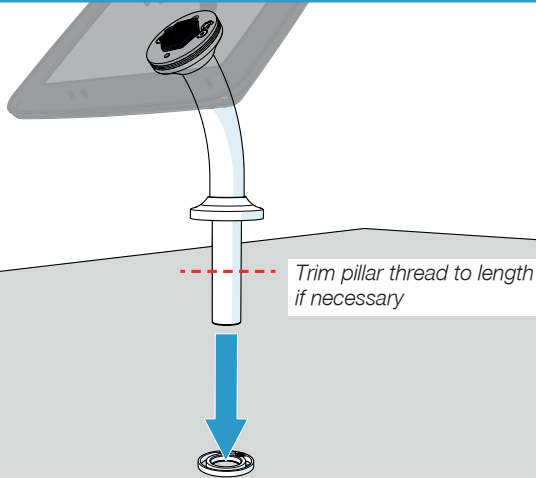
# Shell 10 Slim Bolt-Through Counter Mount Instructions

# A

Applicable To:  
018S\_10\_120

## Counter Mount Installation

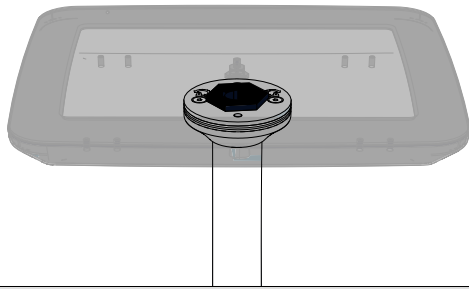
A6



Trim pillar thread to length if necessary

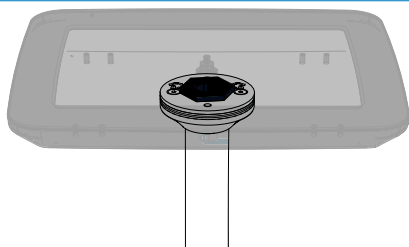
Fit **L** to pillar (**A**) and place **A** through the swivel ring and hole in the counter surface.

A8

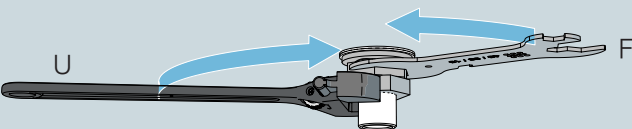


Tighten the first nut (**P**) up to **O** using **F**.  
[Note: Tighten to desired swivel resistance]

A9

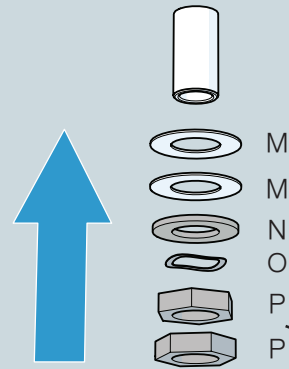
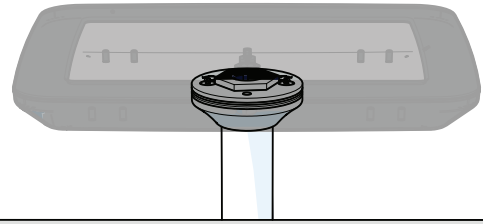


Having applied Threadlock, hold **P** in place using **F** and fully tighten the second nut (**P**) against the first nut (**P**).

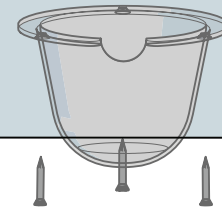


**Note: It is vital that the first nut is held whilst fully tightening the second, to ensure the unit does not loosen.**  
**Check swivel resistance and adjust as necessary.**

A7



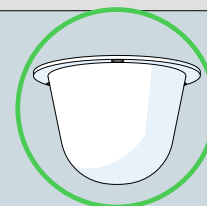
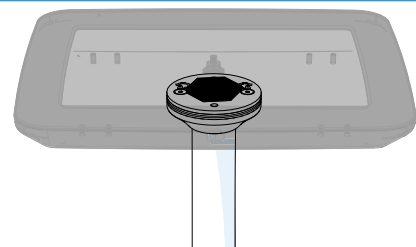
Apply Thread-lock (**W**) to pillar thread below first nut (**P**) but before fitting second nut (**P**).



Fit the fasteners in the order shown above. (**M,N,O,P**)

[Note: **Q** optional fitting following cable routing]

A10



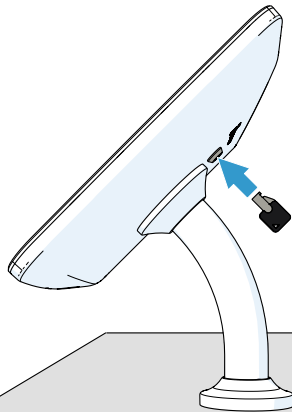
If installing **Q**, first route your cable[s] (**B3-B7**) from the enclosure through the pillar (see **B8** for installation).

# B

## Enclosure Set Up

Applicable To:  
018S\_10\_120

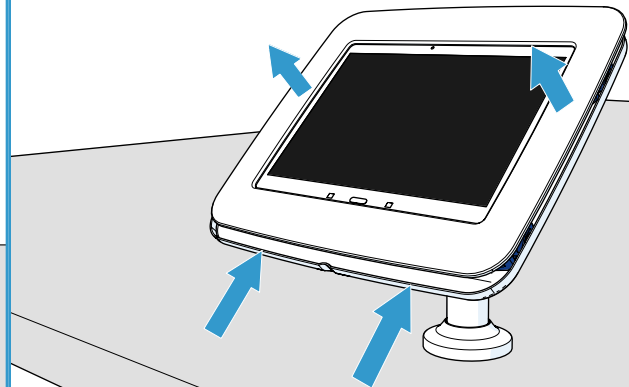
### B1a - Remove Tablet Cassette



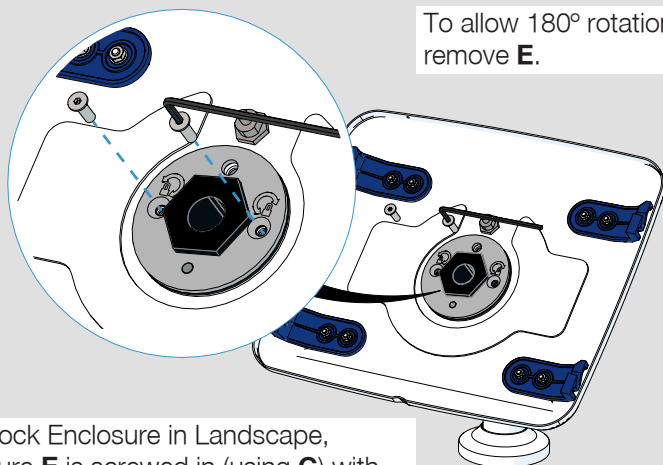
Unlock your Shell 10 Slim using **D** on the lock located on the back of **A**.

### B1b

Push up **C** and it will release from **A**. Lift **C** clear of **A**.



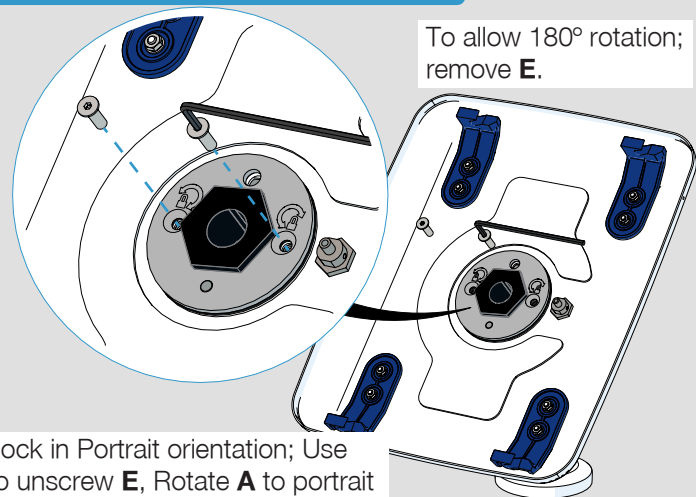
### B2a - Landscape Set-Up



To allow 180° rotation; remove **E**.

To lock Enclosure in Landscape, ensure **E** is screwed in (using **G**) with the enclosure in the correct orientation.

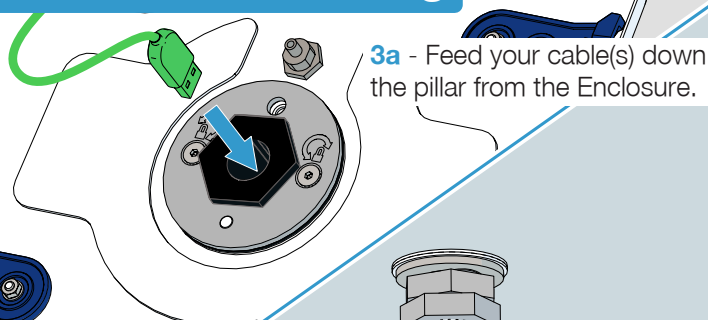
### B2b - Portrait Set-Up



To allow 180° rotation; remove **E**.

To lock in Portrait orientation; Use **G** to unscrew **E**, Rotate **A** to portrait position and screw **E** back in place.

### B3a - Cable Routing

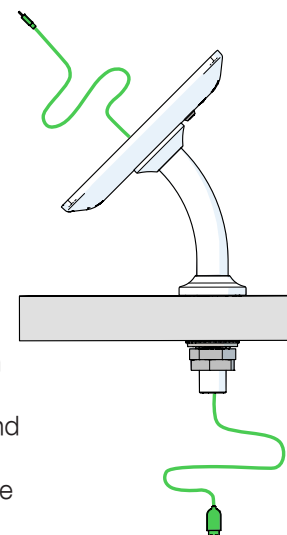


**3a** - Feed your cable(s) down the pillar from the Enclosure.

**3b** - If power cable is connected to a transformer, feed up from below.

### B3b

### B4



Ensure you have enough cable at each end to connect to your tablet and to your power source. If you need a longer cable contact;

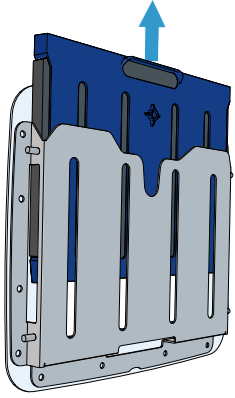
[support@imageholders.com](mailto:support@imageholders.com)

# B/C

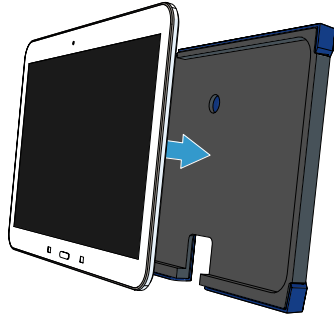
Enclosure Set Up  
Optional Under Counter Cover

Applicable To:  
018S\_10\_120

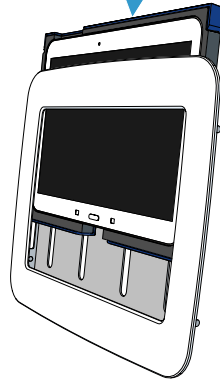
## B5 - Tablet Loading and Cable Routing



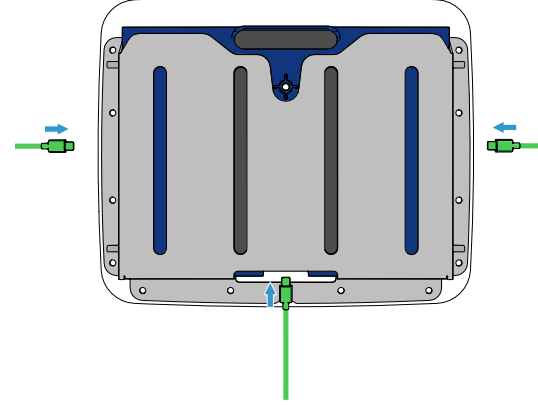
Lift **B** out of **C** pulling up the tab provided.



Turn your Tablet on and place into **B**.

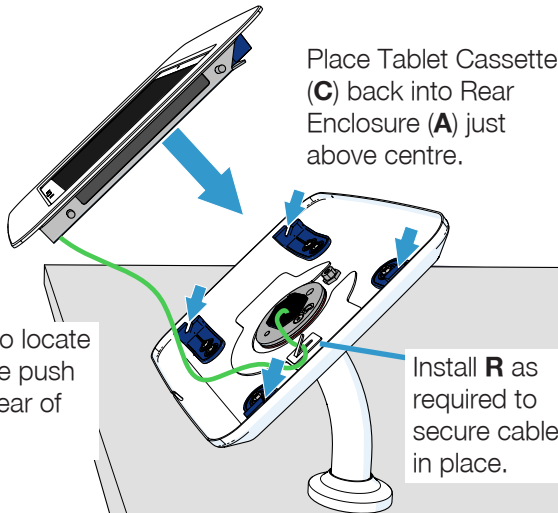


Slide **B** back into **C**.  
*Note: Ensure your tablet is turned on!*



Plug your tablet's power cable into your tablet as applicable.

## B6



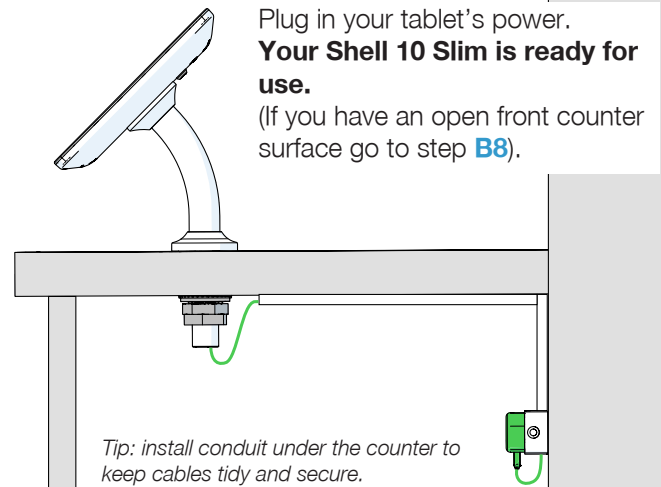
Place Tablet Cassette (**C**) back into Rear Enclosure (**A**) just above centre.

Push **C** down to locate and press in the push lock in on the rear of the Enclosure.

Install **R** as required to secure cable in place.

*Note: Take care to ensure all cables are contained within the enclosure and not trapped in mounting mechanism.*

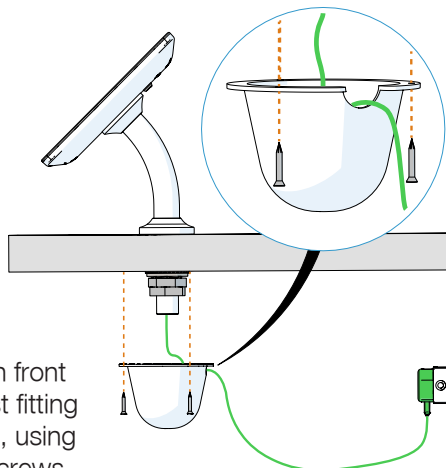
## B7 - Plug in your Tablet



Plug in your tablet's power.  
**Your Shell 10 Slim is ready for use.**  
(If you have an open front counter surface go to step **B8**).

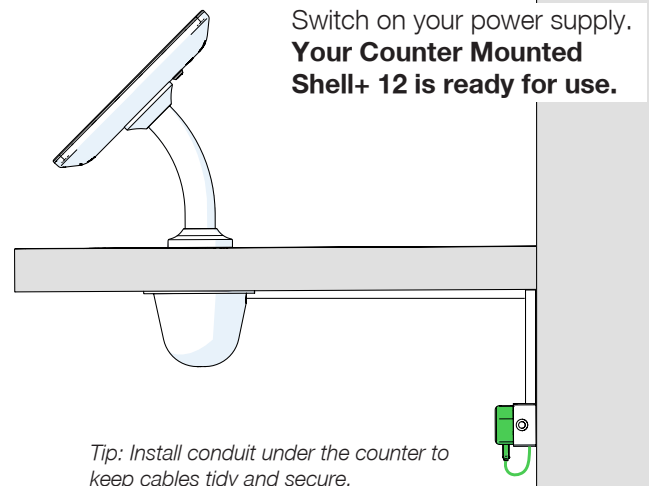
*Tip: install conduit under the counter to keep cables tidy and secure.*

## C1 - Under Counter Cover



If you have an open front counter we suggest fitting our cable cover (**Q**), using remaining (**K** x 3) screws as shown.

## Installation Complete



Switch on your power supply.  
**Your Counter Mounted Shell+ 12 is ready for use.**

*Tip: Install conduit under the counter to keep cables tidy and secure.*