



Concept Bidet Back-To-Wall 1 Taphole, No Overflow

Illustrated

- E8004** Concept bidet back-to-wall 1 taphole, no overflow
- B9988** Concept Blue bidet mixer 1 hole with pop-up waste
- S8965** Trap 1¼" plastic P, 75mm seal, multi-purpose outlet suitable for plastic and BS copper pipe

Configuration options

Material

Vitreous China

Weights

- E8004 20.30KG
- B9988 1.75KG
- S8965 1.00KG

Colours

White (01)

Standards

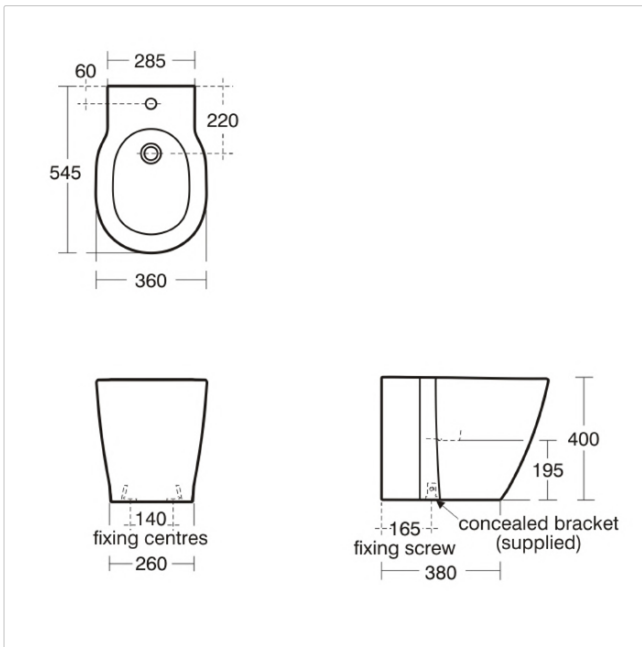
Vitreous china to BS 3402. Bidet to BS EN 35

Special Notes

Bidet screwed to floor using concealed brackets (supplied). Joint to wall sealed with waterproof sealant (not supplied). Consideration should be given to safe hot water delivery and the use of an appropriate temperature reduction device see A5900AA or Part G for guidance

Designer

Robin Levien, RDI



Frequently used applications

- Education
- Hotels
- Pubs and Clubs
- Retail
- General Healthcare
- Office
- Residential
- Sports and Leisure



Email: info@idealspec.co.uk
Tel: 0870 122 8822
Fax: 0870 122 8282
Web: www.idealspec.co.uk

