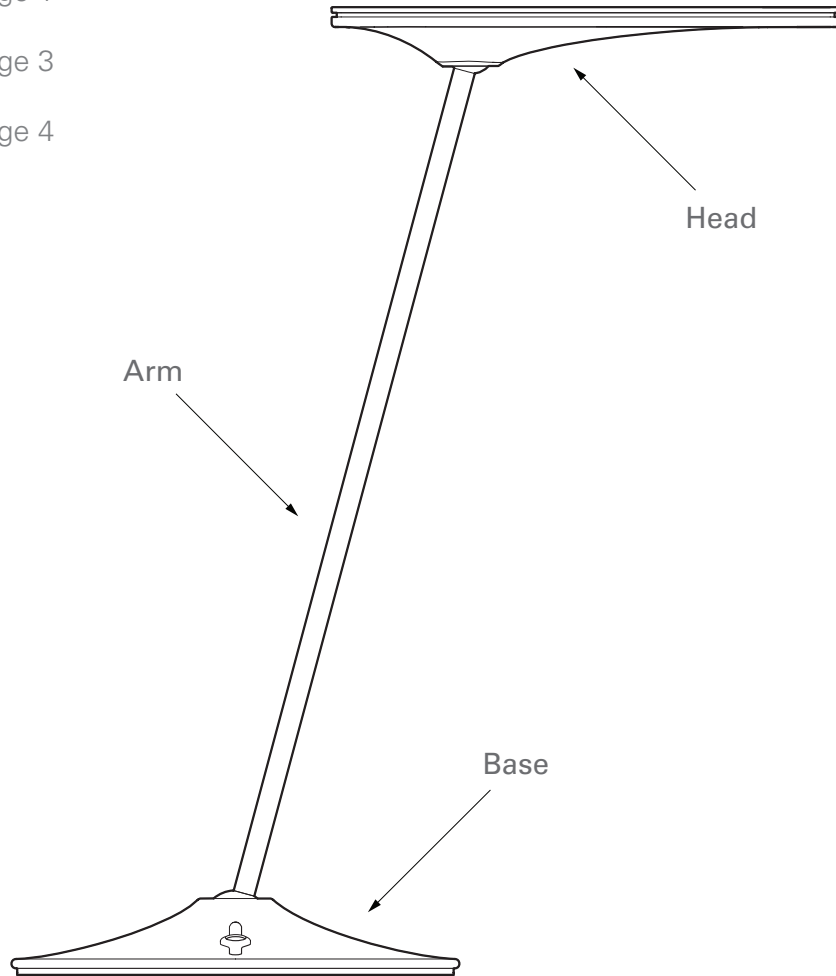


Components for Breakdown

Base Page 1

Head Page 3

Arm Page 4



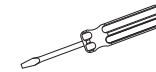
Tools Required



Safety Glasses



Standard and Metric
Hex Key Set



Flat Screwdriver

Tools Required



Safety Glasses



Standard and Metric
Hex Key Set

Base

Step 1

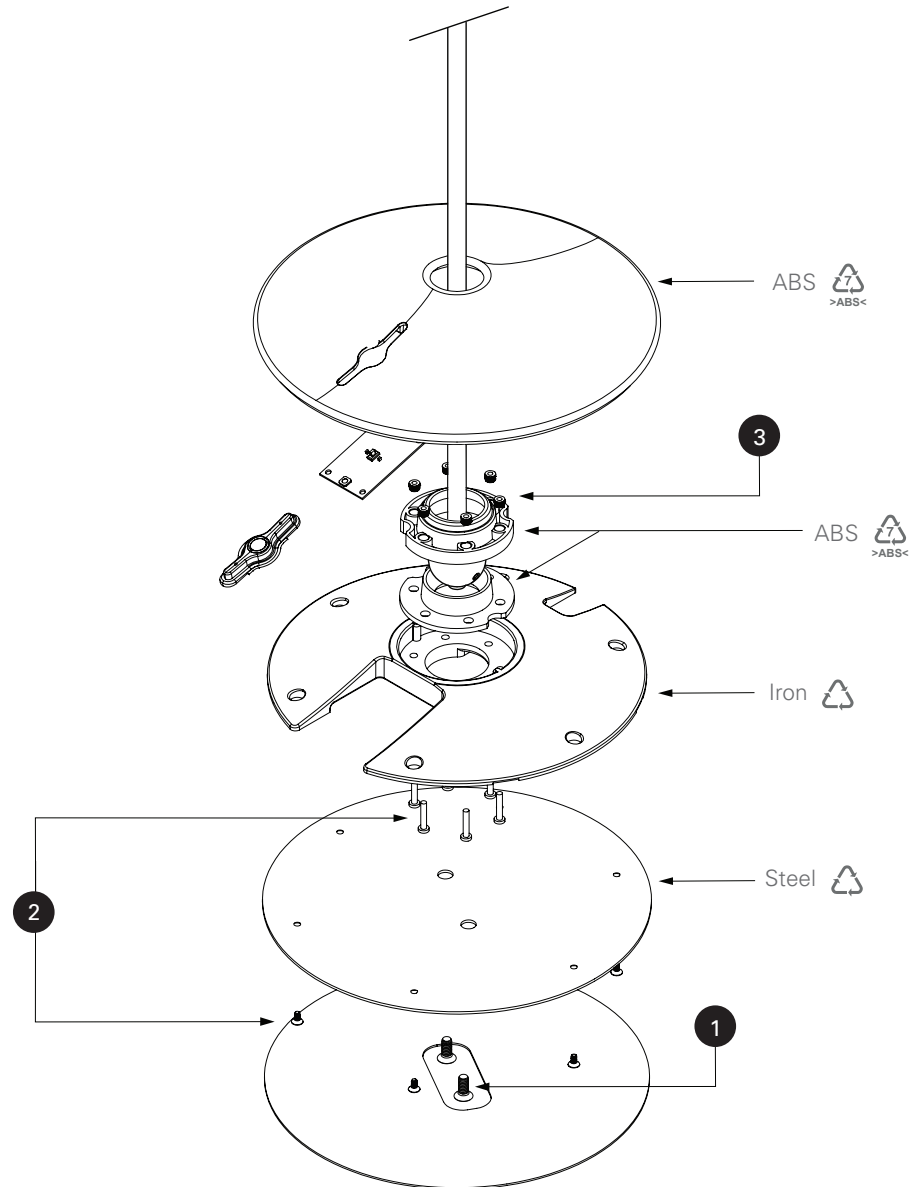
Remove screws from bottem to
remove baseplate

Step 2

Remove all screws and dissassemble
entire base

Step 3

Remove screws to dissassemble ball
joint and release arm



Tools Required



Safety Glasses

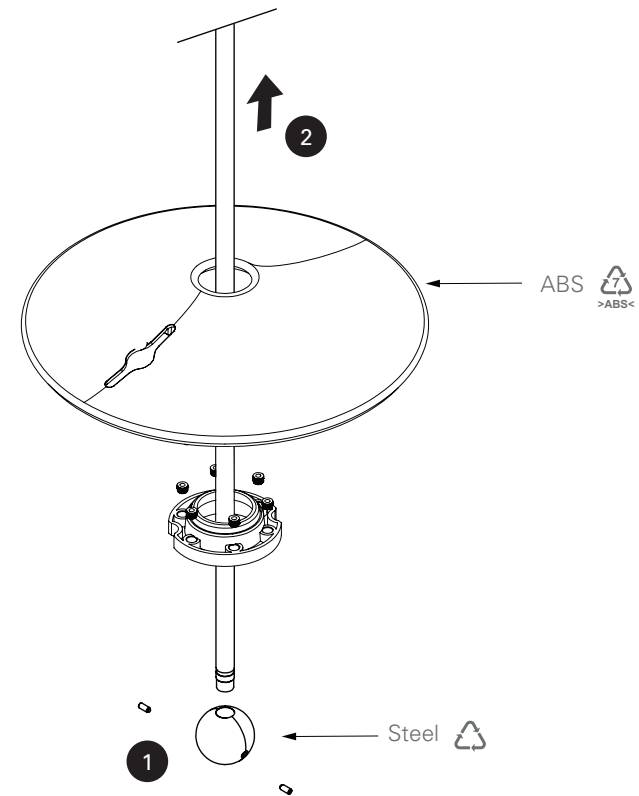


Standard and Metric
Hex Key Set

Base (cont.)

Step 1
Remove set screws to release ball from arm

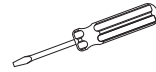
Step 2
Remove arm from base plate



Tools Required



Safety Glasses



Flat Screwdriver

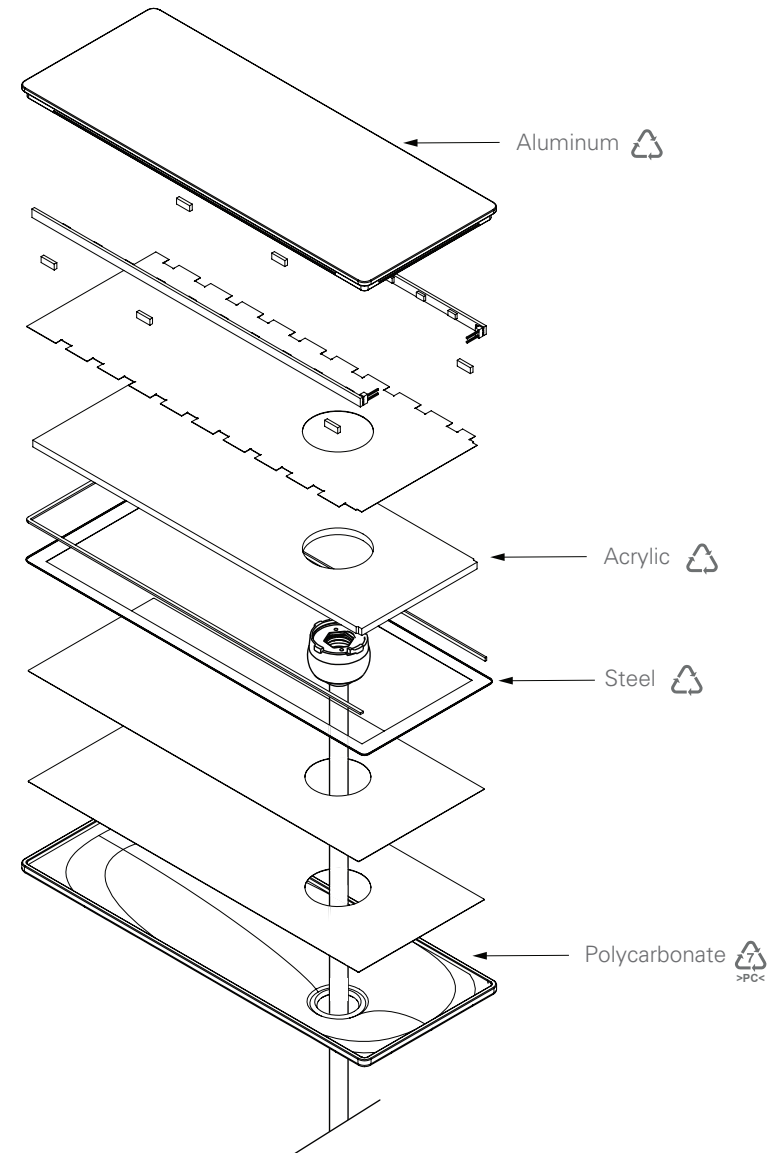
Head

Step 1

Remove all components by prying head apart with a flathead screwdriver

Step 2

Remove arm from head components



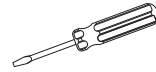
Tools Required



Safety Glasses



Standard and Metric
Hex Key Set



Flat Screwdriver

Arm

Step 1

Remove all components to fully disassemble arm

