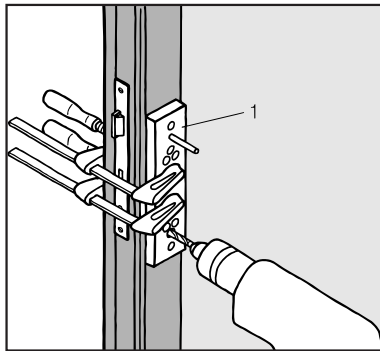
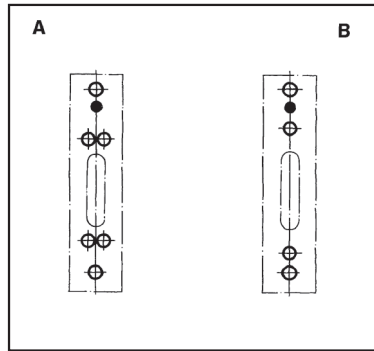


Push / Pull handle

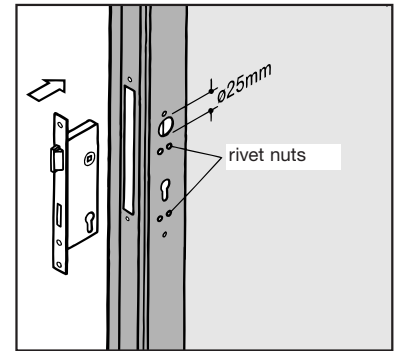
FSDG550.08...
111XADG02...
162XADG04...
DG550XB08...



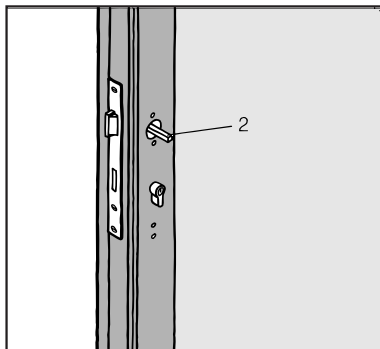
1. Position the HEWI drilling jig (1) BL550.08 (supplied) on the door, using clamps to hold it in position on the door. Drill 7 mm dia. holes according to picture **1a** (on both sides of the door, for double sided installations).



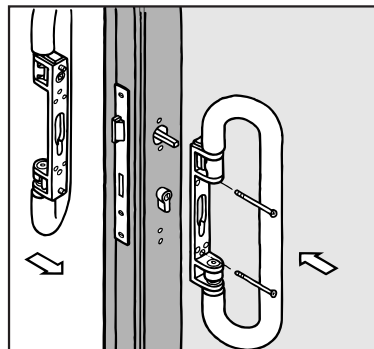
1a. Use template A for the fixing with M 5 rivet nuts. (for hollow section doors). Use template B for a bolt through / double sided fixing.



2. For fixing with the M 5 rivet nuts use 4 rivet nuts on each side. (for hollow section doors)



3. Install the lock case and insert the spindle (2).



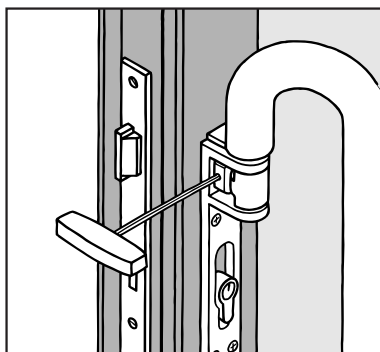
4. Attention: Ensure that the cover plates are removed from the backplates, otherwise it is not possible to install the product. Insert the screws into backplate. Install the backplates with a bolt through fixing, (for double sided installations). ->

Please note:

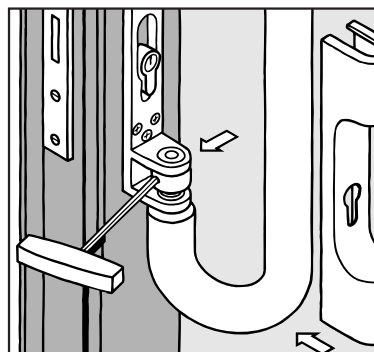
The functionality of the door may not be restricted because of the installation of the Push / Pull handle.

The functionality of the Push / Pull handle in combination with the lock case needs to be checked.

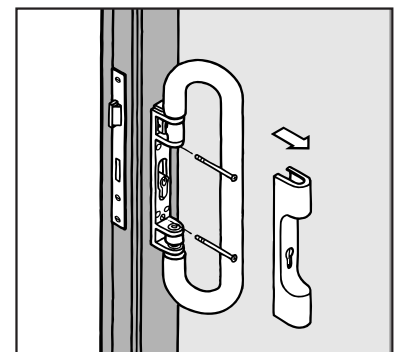
-> For installation on hollow section doors, with M 5 rivet nuts use the fixing bolts accordingly.



For half set installation
5. Fix the spindle with the allen key SW 3 on both sides.



To adjust the "play"
 Adjust the play and the stop, on both sides of Push / Pull handle, with the allen key SW 2.5. Clip on the cover cap.



De-installation
 Remove the cover cap with a thin bladed screwdriver or something similar. Remove the screws of the bottom parts. Remove set screws with allen key SW 3