

Push/pull handle set 162XADG06

for equipping doors or emergency exits

For emergency exits: Approval to EN 179 in combination with tested locks - with CE marking. Approved for fire and smoke doors, listing in the national technical approval test certificate of the respective door manufacturer in conjunction with DIN 18273, DIN 4102, DIN 1634 and 9 mm square spindle. Suitable as operating element on doors to DIN 18040, with accessibility function within operating range at 850 mm above FFL.

Handle made of a stainless steel tube, diameter 30 mm, straight handle with straight connection, height 450 mm, width 124 mm, satin surface, backplates made of metal with polyamide cap, maintenance-free plain bearings, mechanical adjustment for the pull handle. Fast installation on the door due to already preassembled pull handles on the bottom section. Installation in pairs, function in opening direction - push, function in opposite direction - pull, with continuous spindle.

Classification:

spindle 8 mm - no classification

spindle 9 mm

Designed and tested for projects, classification to EN 179

Category of use: Class 3

Durability: Class 7

Door mass: Class 6

Suitability for use on fire and smoke doors: Class 0, A or B

Safety - personal protection: Class 1

Corrosion protection: Class 3

Security - burglary protection: Class 2

Projection of operating element: Class 1

Type of operation: B

Field of door application: Class A, B, C or D

The classification results only in connection with the lock

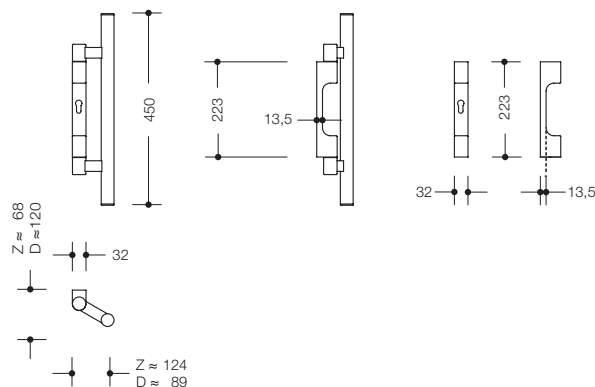
according to EN 179, for example, BKS, Fuhr or Fliether

The selected combinations are assigned freely and do not have to take on a lock manufacturer.

For more information, contact HEWI or the lock manufacturer!



Dimensions in mm



Surface

XA | satin

Technical information subject to alteration, 12th December 2017

HEWI Heinrich Wilke GmbH
Postfach 1260
D-34442 Bad Arolsen

Telefon: +49 5691 82-366
Telefax: +49 5691 82-99366
international@hewi.com
www.hewi.com

HEWI (UK) Limited
Holm Oak Barn, Beluncle Halt
Stoke Road
Hoo Kent ME3 9NT

Phone +44 1634 258 200
Fax +44 1634 250 099
info@hewi.co.uk
www.hewi.com