

Product data sheet
Waste bin 800.05.10090

HEWI

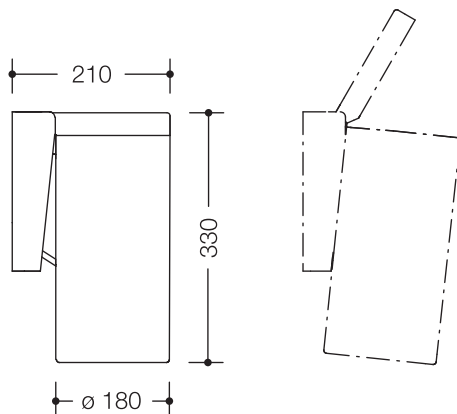
 Z8Z7E



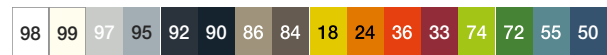
Waste bin 800.05.10090

- cylindrical container with hinged lid
- removable waste container
- lid is opened by applying slight pressure to container with the knee or hand
- integrated compartment for standard hygienic bags
- only suitable for wall mounting
- capacity approx. 6 litres
- 330 mm high and 210 mm deep and 180 mm in diameter
- made of high-quality polyamide in selected HEWI colours

Dimensions in mm



Colours



Delivery date 01.01.2016 for the colours 18, 36, 55, 72, 84 and 86

Technical information subject to alteration, 08.08.2015

HEWI Heinrich Wilke GmbH
Postfach 1260
D-34442 Bad Arolsen

Telefon: +49 5691 82-366
Telefax: +49 5691 82-99366
international@hewi.com
www.hewi.com

HEWI (UK) Limited
Holm Oak Barn, Beluncle Halt
Stoke Road
Hoo Kent ME3 9NT

Phone +44 1634 258 200
Fax +44 1634 250 099
info@hewi.co.uk
www.hewi.co.uk