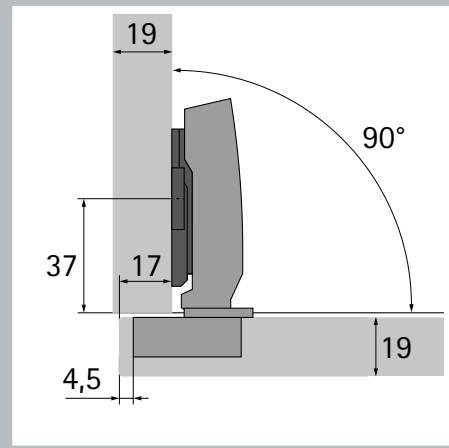
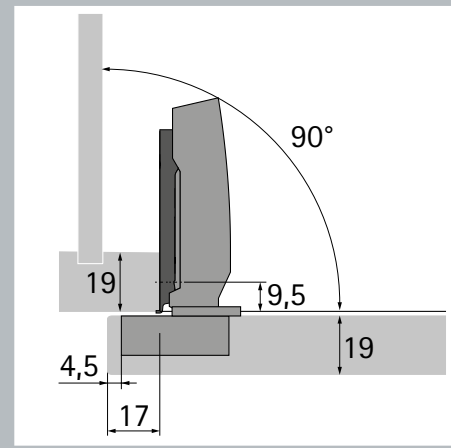


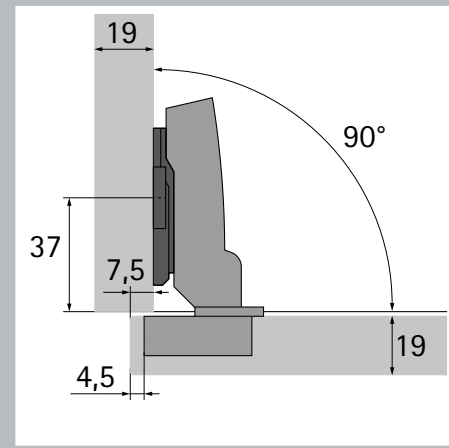
The design hinge with integrated Silent System: Sensys



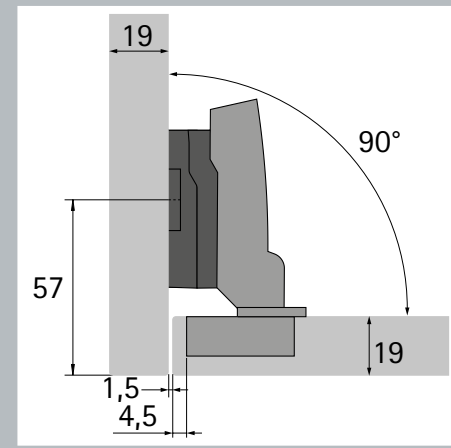
Sensys 8645i B12.5
for overlay door
Mounting plate distance = 0 mm



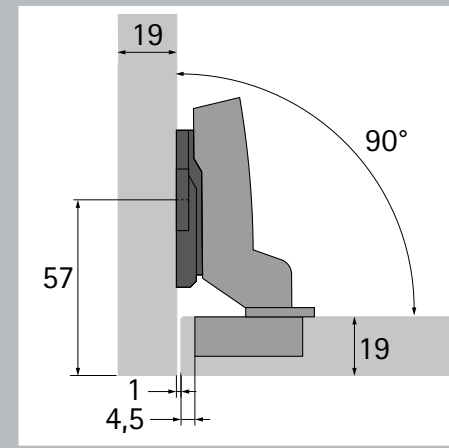
Sensys 8645i B12.5
for overlay door
Face frame mounting plate
distance = 0 mm



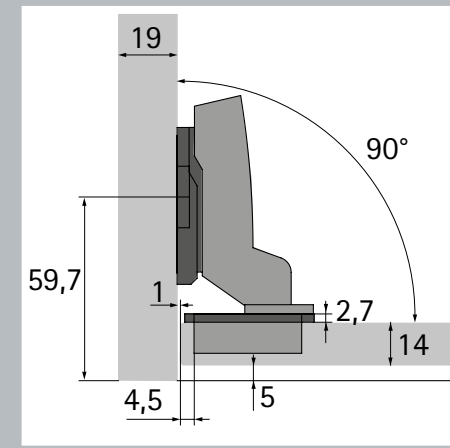
Sensys 8645i B3
for half overlay door
Mounting plate distance = 0 mm



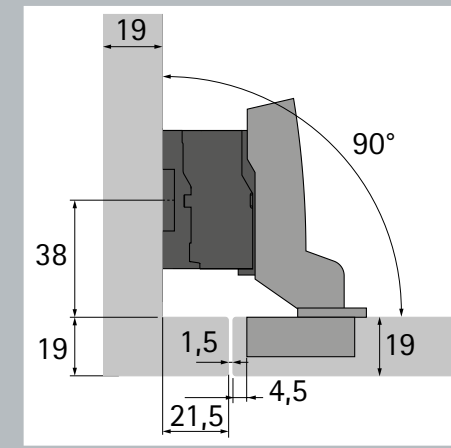
Sensys 8645i B3
for half overlay door
Mounting plate System 9000
distance = 1.5 mm
Parallel adapter distance = 8 mm



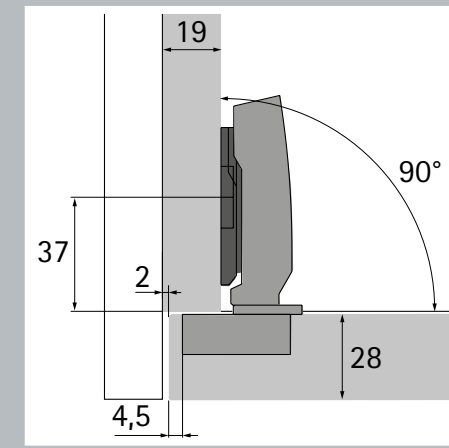
Sensys 8645i B-4
for inset door
Mounting plate distance = 1.5 mm



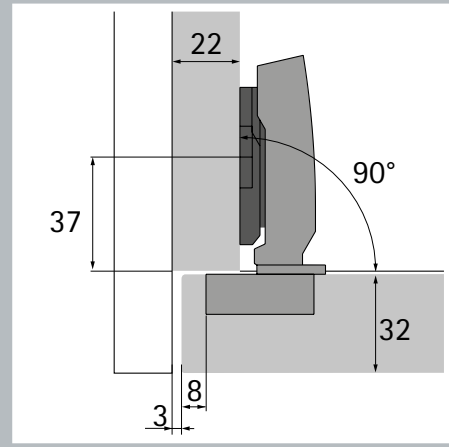
Sensys 8645i B-4
for inset door
Mounting plate distance = 1.5 mm
Cup adapter 2.7 mm



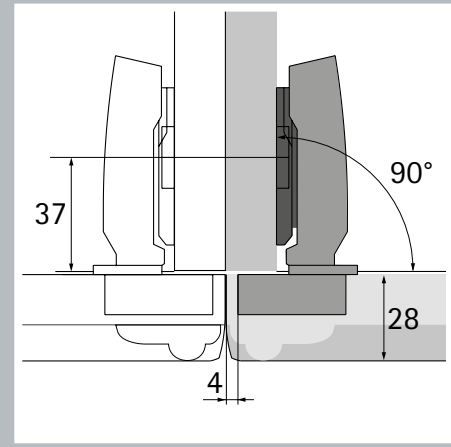
Sensys 8645i B-4
for inset door
Mounting plate System 9000
distance = 1.5 mm
Parallel adapter distance = 22 mm



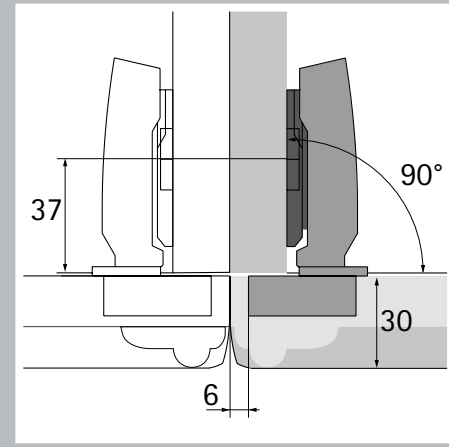
Sensys 8631i B12.5
for narrow reveals at thick doors
for overlay door
Mounting plate distance = 0 mm



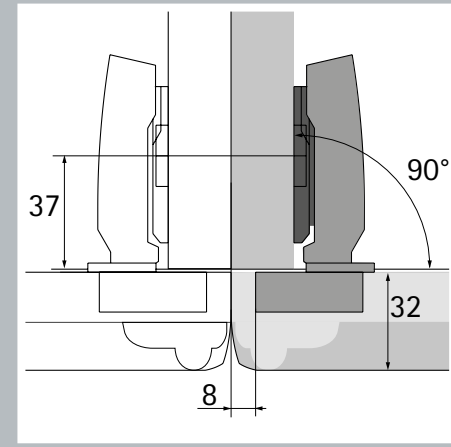
Sensys 8631i B12.5
for narrow reveals at thick doors
for overlay door
Mounting plate distance = 1.5 mm



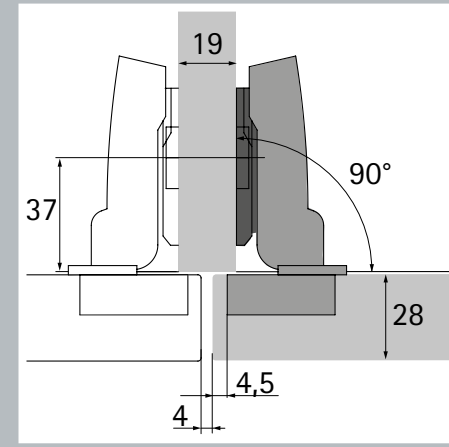
Sensys 8631i B12.5
Thick door with hairline reveal
for overlay door
Mounting plate distance = 0 mm



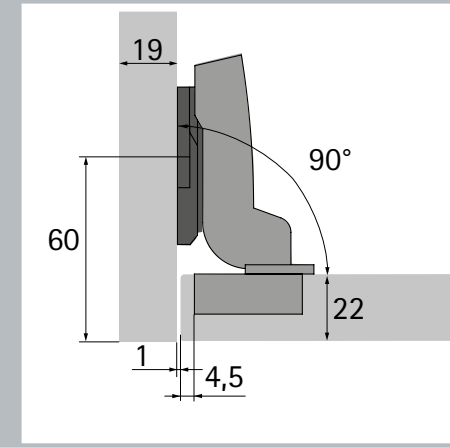
Sensys 8631i B12.5
Thick door with hairline reveal
for overlay door
Mounting plate distance = 0 mm



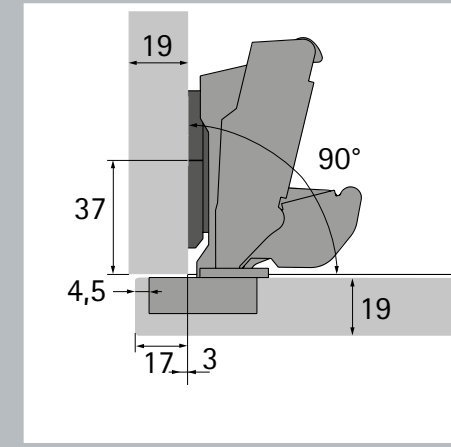
Sensys 8631i B12.5
Thick door with hairline reveal
for overlay door
Mounting plate distance = 0 mm



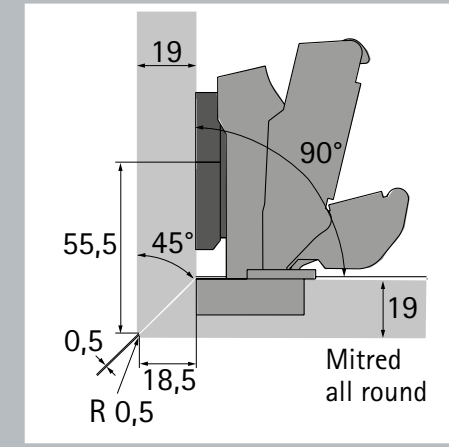
Sensys 8631i B3
for narrow reveals at thick doors
for half overlay door
Mounting plate distance = 0 mm



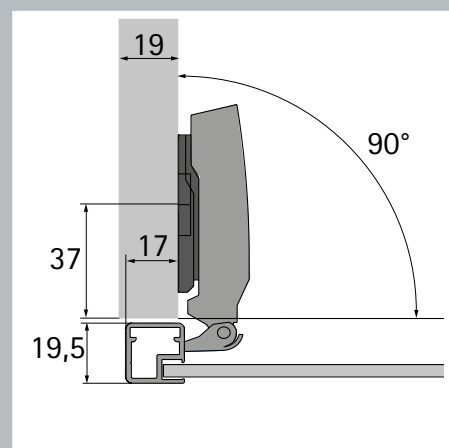
Sensys 8631i B-4
Thick door hinge
for inset door
Mounting plate distance = 1.5 mm



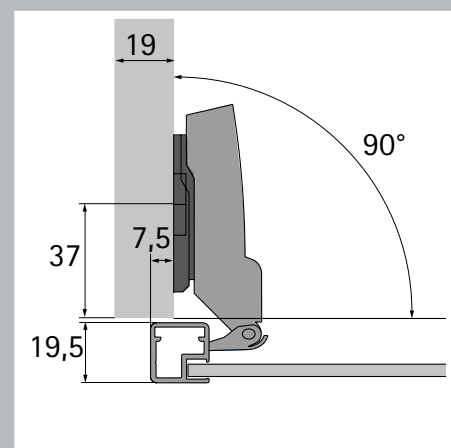
Sensys 8657i B12.5
Zero protrusion hinge
for overlay door
Mounting plate distance = 0 mm



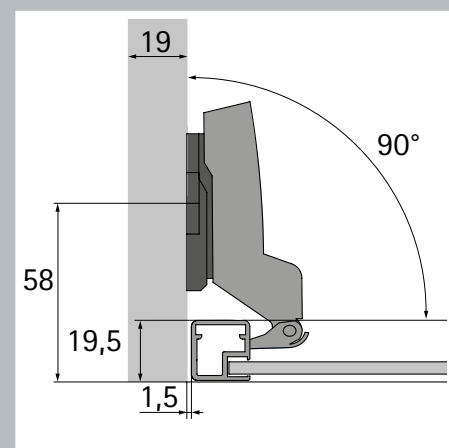
Sensys 8657i B3
Wide-angle hinge
for half overlay door
Mounting plate distance = 3 mm



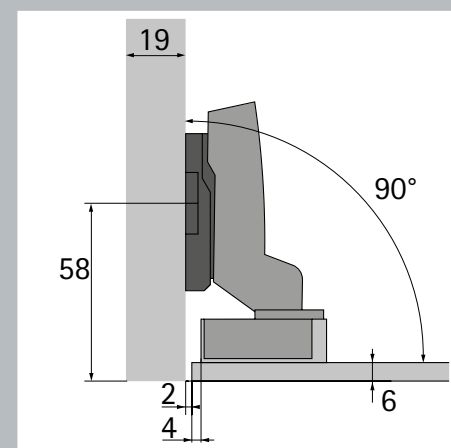
Sensys 8638i B12.5
Aluminium frame hinge
for overlay door
Mounting plate distance = 0 mm



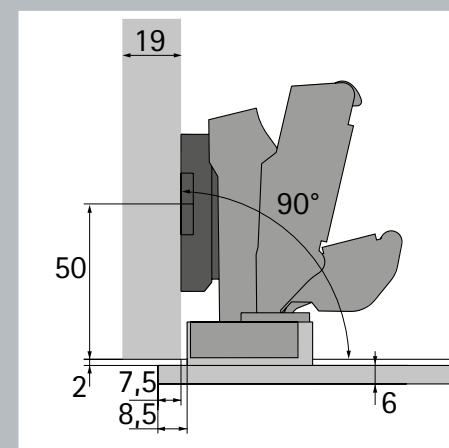
Sensys 8638i B3
Aluminium frame hinge
for half overlay door
Mounting plate distance = 0 mm



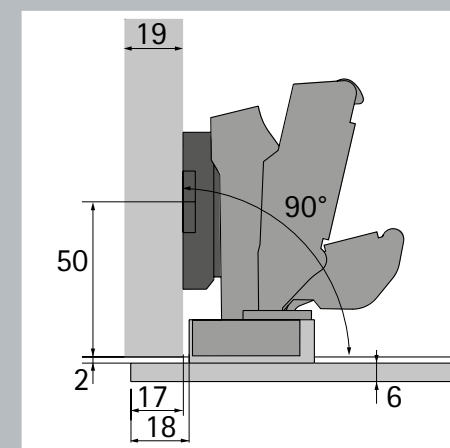
Sensys 8638i B-4
Aluminium frame hinge
for inset door
Mounting plate distance = 1.5 mm



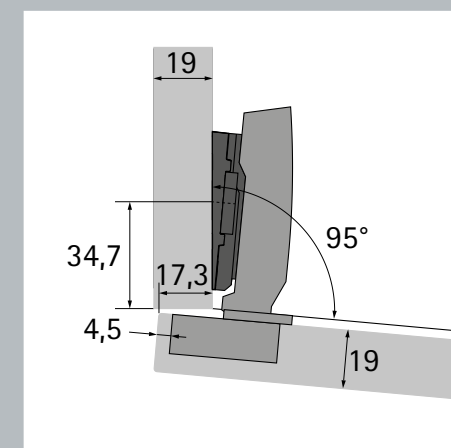
Sensys 8645i B-4
with adapter to glue on
for inset door
Mounting plate distance = 3 mm



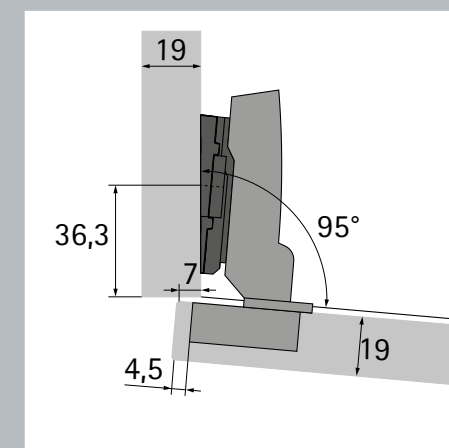
Sensys 8657i B3
with adapter to glue on
for half overlay door
Mounting plate distance = 5 mm
Opening angle limiter 120°



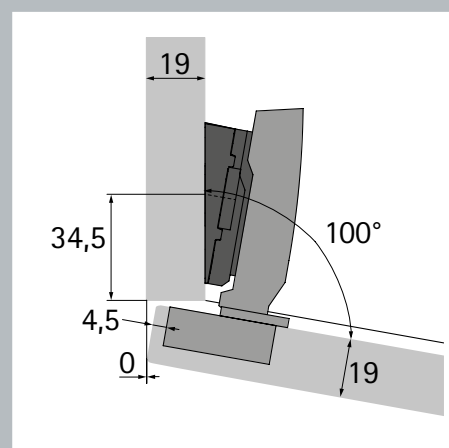
Sensys 8657i B3
with adapter to glue on
for half overlay door
Mounting plate distance = 5 mm
Opening angle limiter 120°



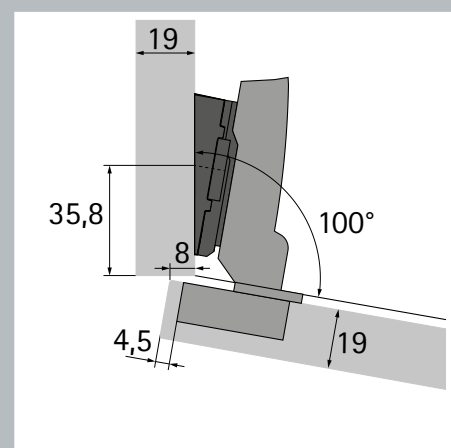
Sensys 8645i B12.5
for overlay door
Mounting plate distance = 0 mm
Angle adapter 5°



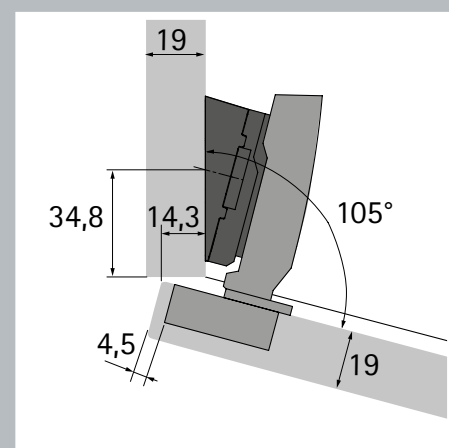
Sensys 8645i B3
for half overlay door
Mounting plate distance = 0 mm
Angle adapter 5°



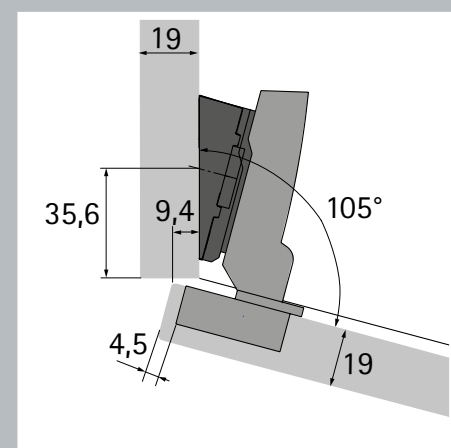
Sensys 8645i B12.5
for overlay door
Mounting plate distance = 1.5 mm
Angle adapter 10°



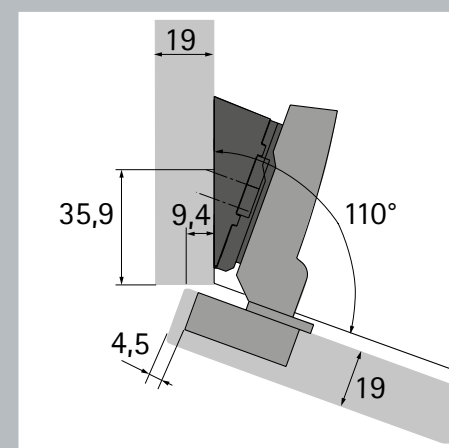
Sensys 8645i B3
for half overlay door
Mounting plate distance = 0 mm
Angle adapter 10°



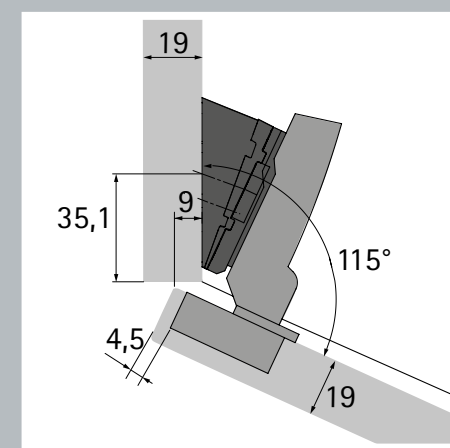
Sensys 8645i B12.5
for overlay door
Mounting plate distance = 3 mm
Angle adapter 15°



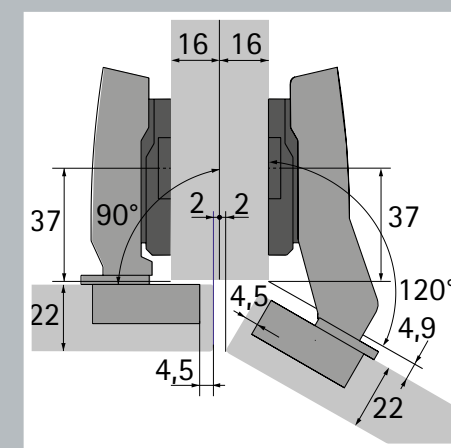
Sensys 8645i B3
for half overlay door
Mounting plate distance = 0 mm
Angle adapter 15°



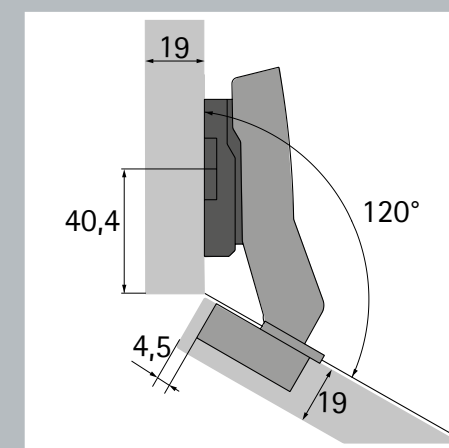
Sensys 8645i B3
for half overlay door
Mounting plate distance = 0 mm
Angle adapter 20°



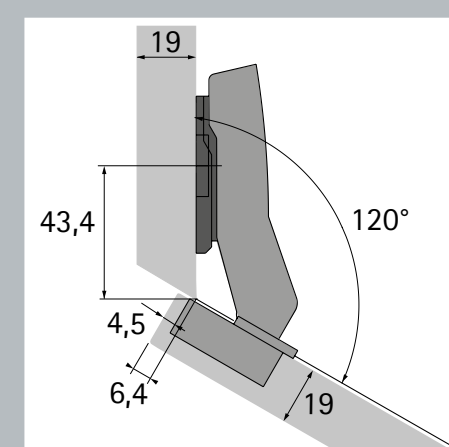
Sensys 8645i B3
for half overlay door
Mounting plate distance = 0 mm
Angle adapter 20° and 5°



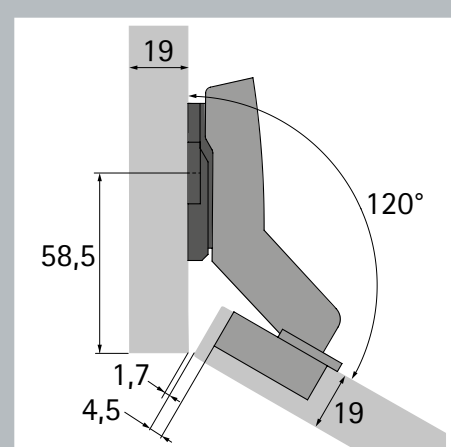
Sensys 8639i W30 B2
Sensys 8645i B12.5
for overlay door
Mounting plate distance = 3 mm



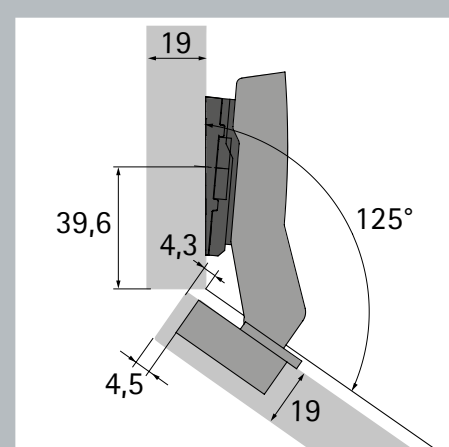
Sensys 8639i W30 B2
for overlay door
Mounting plate distance = 5 mm



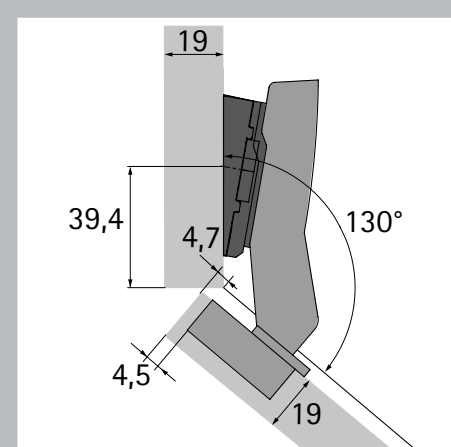
Sensys 8639i W30 B2
for overlay door
Mounting plate distance = 0 mm



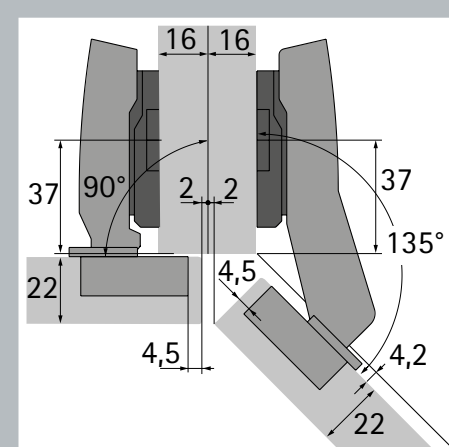
Sensys 8639i W30 B-16
for inset door
Mounting plate distance = 1.5 mm



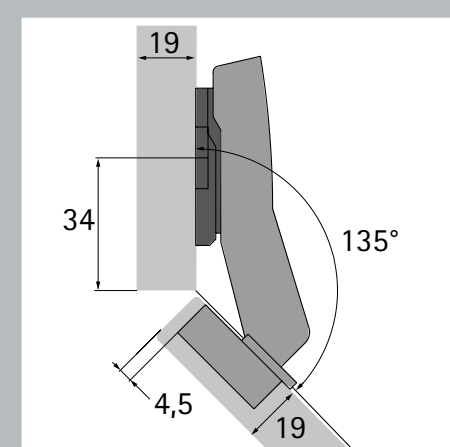
Sensys 8639i W30 B2
for overlay door
Mounting plate distance = 0 mm
Angle adapter 5°



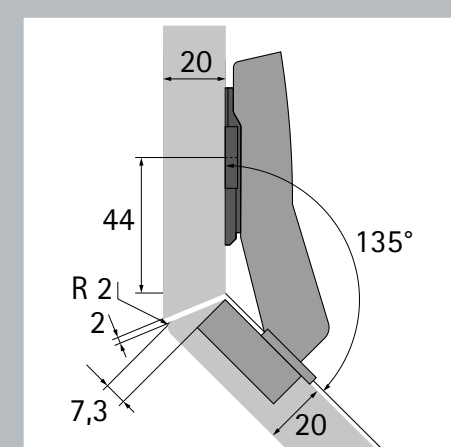
Sensys 8639i W30 B2
for overlay door
Mounting plate distance = 0 mm
Angle adapter 10°



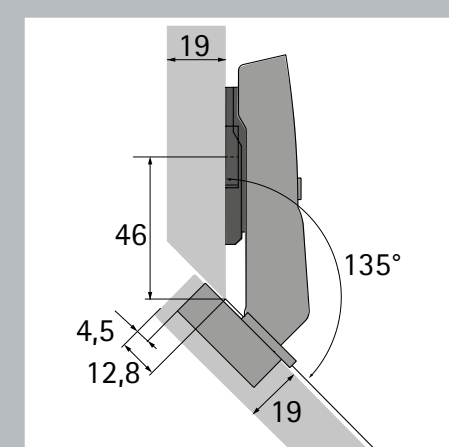
Sensys 8639i W45 B-2
Sensys 8645i B12.5
for overlay door
Mounting plate distance = 3 mm



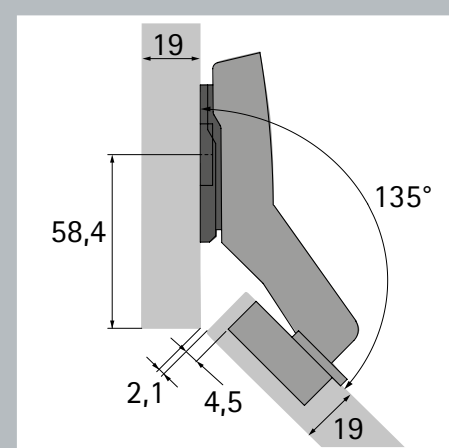
Sensys 8639i W45 B-2
for overlay door
Mounting plate distance = 1.5 mm



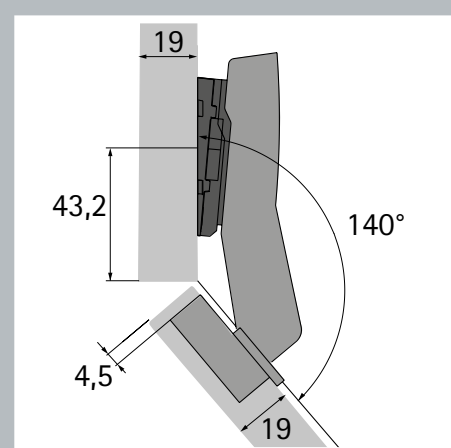
Sensys 8639i W45 B-2
for overlay door
Mounting plate distance = 0 mm



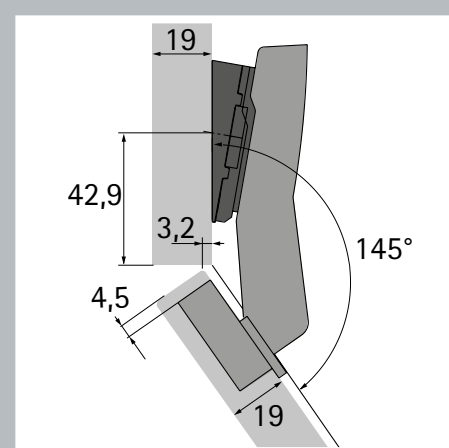
Sensys 8639i W45 B9
for overlay door
Mounting plate distance = 0 mm



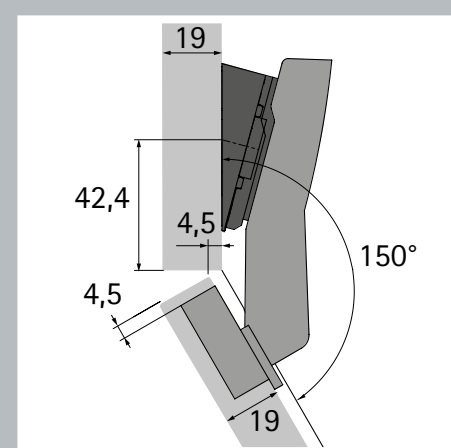
Sensys 8639i W45 B-25
for inset door
Mounting plate distance = 0 mm



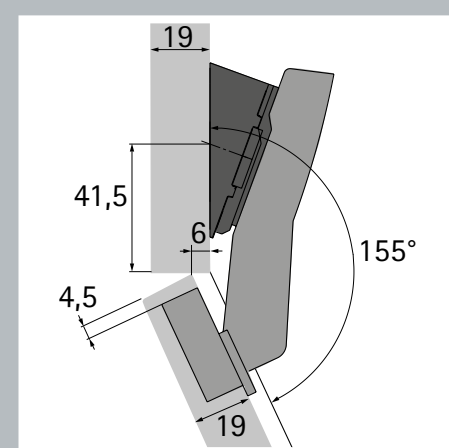
Sensys 8639i W45 B-2
for overlay door
Mounting plate distance = 0 mm
Angle adapter 5°



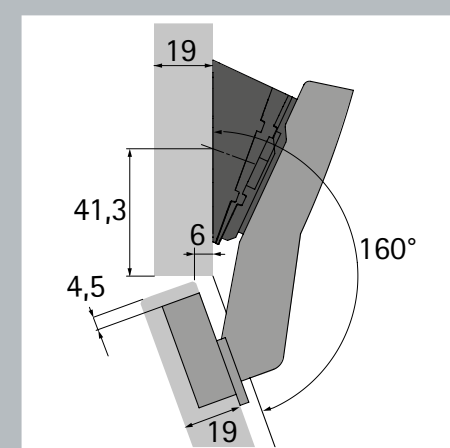
Sensys 8639i W45 B-2
for overlay door
Mounting plate distance = 0 mm
Angle adapter 10°



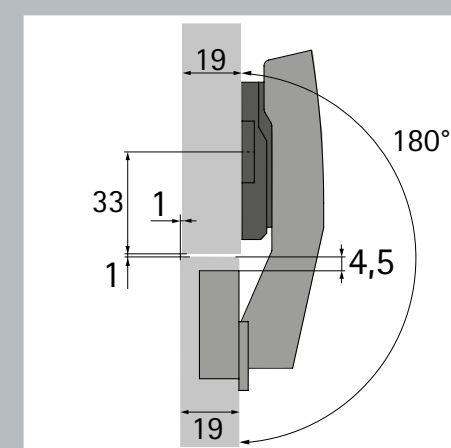
Sensys 8639i W45 B-2
for overlay door
Mounting plate distance = 0 mm
Angle adapter 15°



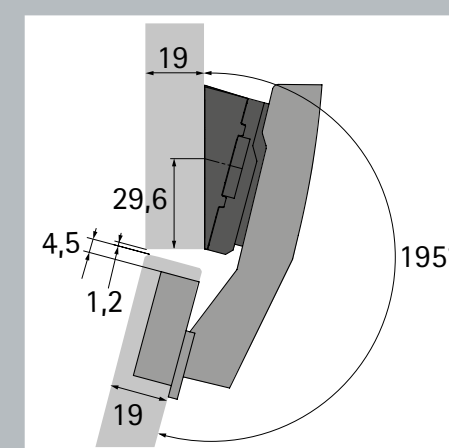
Sensys 8639i W45 B-2
for overlay door
Mounting plate distance = 0 mm
Angle adapter 20°



Sensys 8639i W45 B-2
for overlay door
Mounting plate distance = 0 mm
Angle adapter 20° and 5°



Sensys 8639i W90 B4
for inset door
Mounting plate distance = 3 mm



Sensys 8639i W90 B4
for inset door
Mounting plate distance = 3 mm
Angle adapter 15°



To the video on Youtube:
Construction overlaying doors
<http://www.hettich.com/short/4c541c>



To the video on Youtube:
Construction inset doors
<http://www.hettich.com/short/b1d8aa>



To the video on Youtube:
Construction angled cabinets
<http://www.hettich.com/short/d6ef0d>