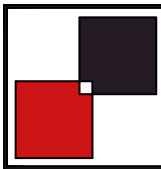
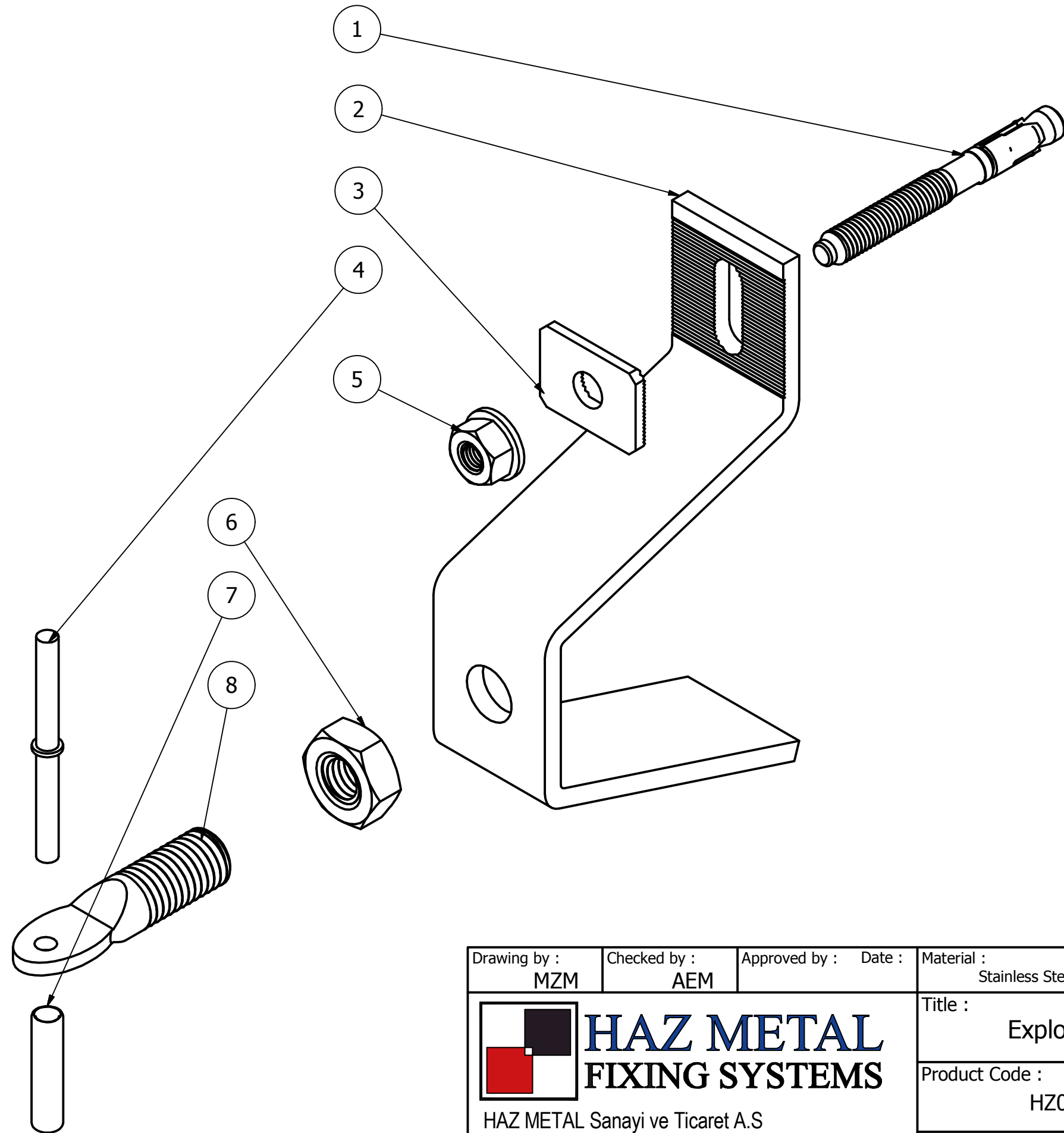


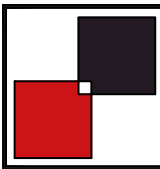
Not To Scale

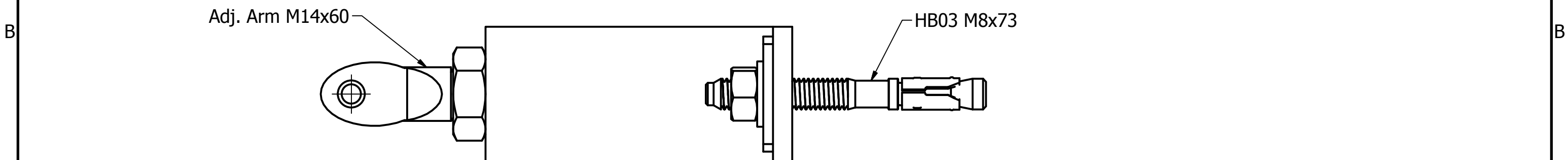
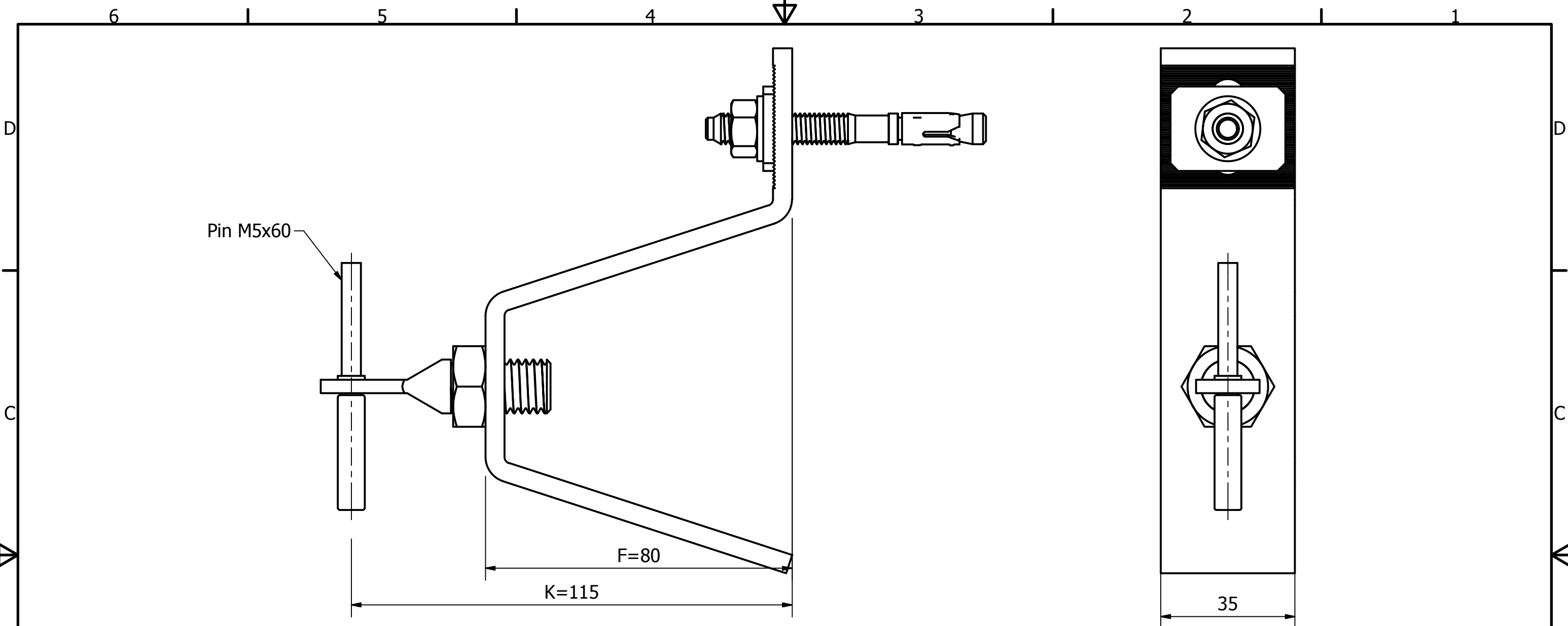
| | | | |
|---|---------------------|-------------------------|--|
| Drawing by : MZM | Checked by : AEM | Approved by : Date : | Material : Stainless Steel Grade 316 to AISI/ASTM |
|  HAZ METAL FIXING SYSTEMS HAZ METAL Sanayi ve Ticaret A.S PO Box 241 31200 Iskenderun / Turkey Tel: +90 326 6262050 Faks: 6262045 info@hazmetal.com / www.hazmetal.com. | | | Title : Isometric |
| | | | Product Code : HZ02 S - 53580 |
| Date : 5/18/2016 | | Sheet 1 / 4 | |
| Last Modification : | | | |

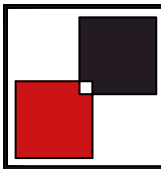
PARTS LIST

| ITEM | QTY | PART NUMBER |
|------|-----|-----------------|
| 1 | 1 | Through Bolt |
| 2 | 1 | Anchor body |
| 3 | 1 | Serrated Washer |
| 4 | 1 | Flanged Pin |
| 5 | 1 | Hex Bolt Set |
| 6 | 1 | Nut |
| 7 | 1 | Plastic Tube |
| 8 | 1 | Adj. Arm |



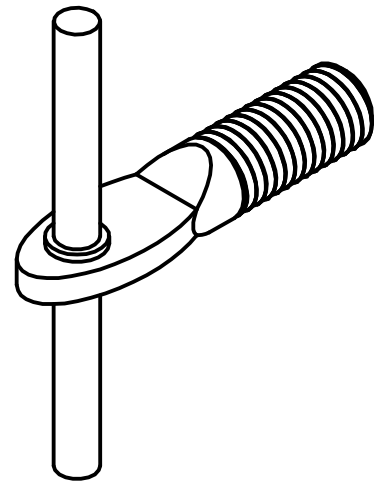
| | | | |
|---|---------------------|-------------------------|--|
| Drawing by : MZM | Checked by : AEM | Approved by : Date : | Material : Stainless Steel Grade 316 to AISI/ASTM |
|  HAZ METAL FIXING SYSTEMS HAZ METAL Sanayi ve Ticaret A.S PO Box 241 31200 Iskenderun / Turkey Tel: +90 326 6262050 Faks: 6262045 info@hazmetal.com / www.hazmetal.com. | | | Title : Explode Assembly |
| | | | Product Code : HZ02 S - 53580 |
| Date : 5/18/2016 | Sheet 2 / 4 | | |
| Last Modification : | | | |



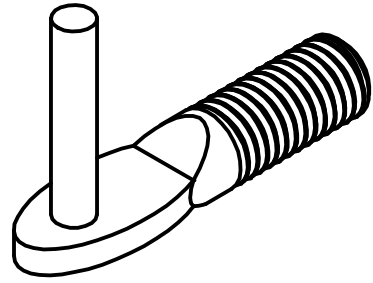
| | | | |
|---|---------------------|-------------------------|--|
| Drawing by : MZM | Checked by : AEM | Approved by : Date : | Material : Stainless Steel Grade 316 to AISI/ASTM |
|  HAZ METAL FIXING SYSTEMS | | | Title : Orthographic Projections |
| | | | Product Code : HZ02 S - 53580 |
| Date : 5/18/2016 | | Sheet 3 / 4 | |
| Last Modification : | | | |

HAZ METAL Sanayi ve Ticaret A.S
 PO Box 241 31200 Iskenderun / Turkey
 Tel: +90 326 6262050 Faks: 6262045
 info@hazmetal.com / www.hazmetal.com.

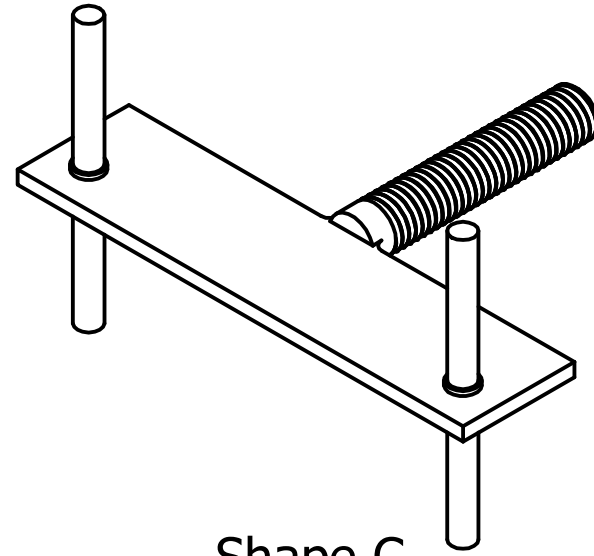
All dimensions are in millimetres u.n.o.



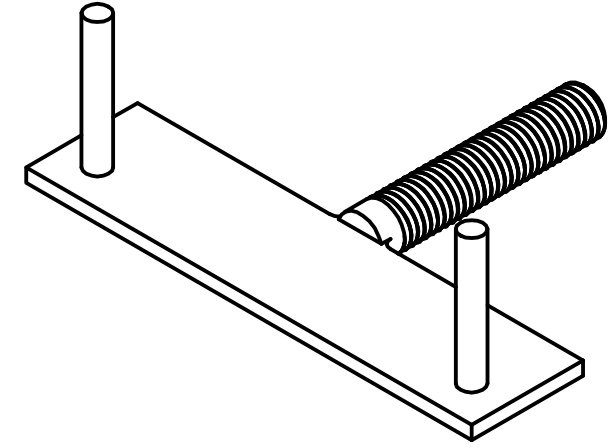
Shape A



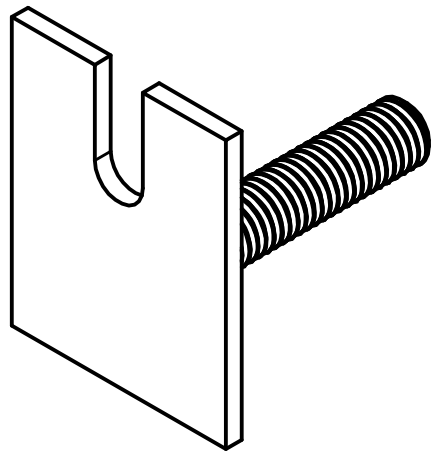
Shape B



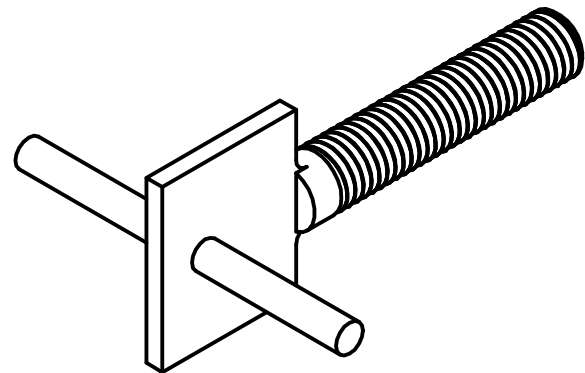
Shape C



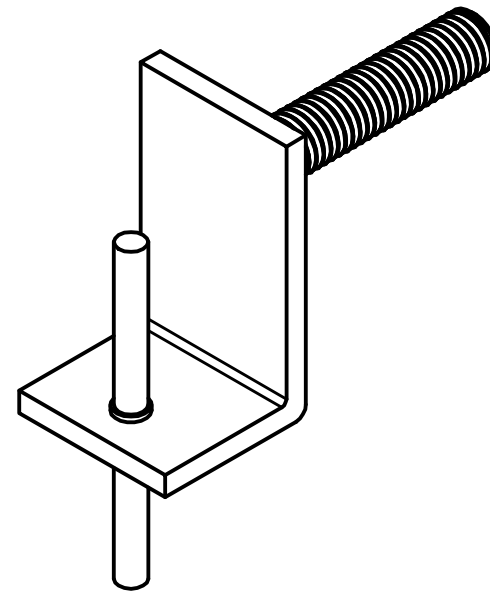
Shape D



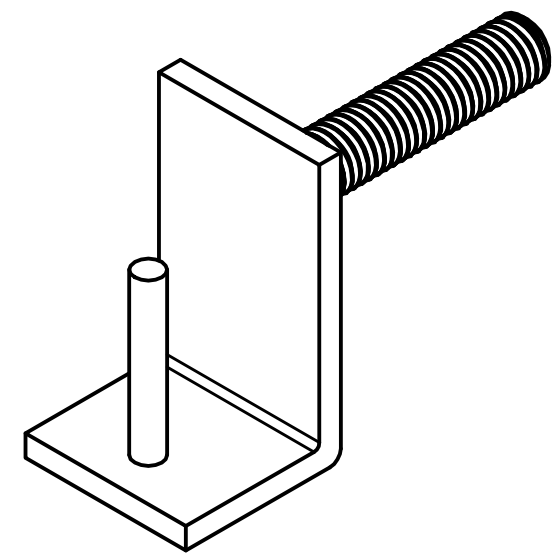
Shape E



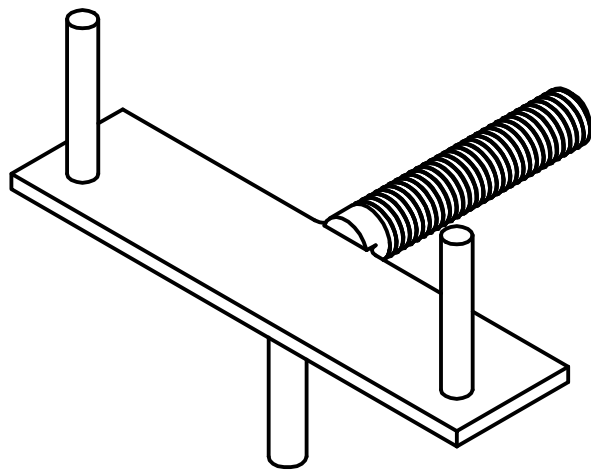
Shape F



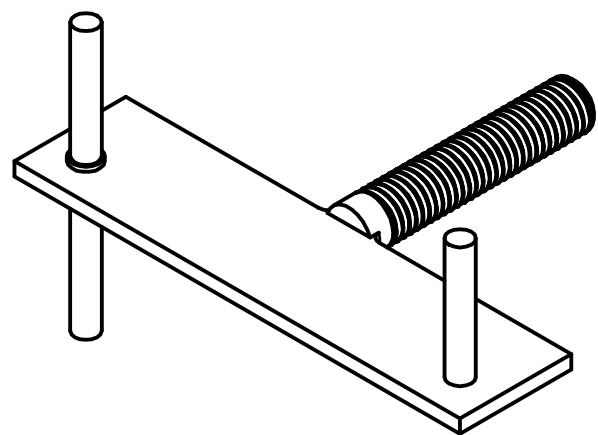
Shape G



Shape H

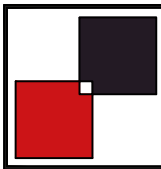


Shape J



Shape K

Not To Scale

| | | | |
|---|---------------------|-------------------------|--|
| Drawing by : MZM | Checked by : AEM | Approved by : Date : | Material : Stainless Steel Grade 316 to AISI/ASTM |
|  HAZ METAL FIXING SYSTEMS HAZ METAL Sanayi ve Ticaret A.S PO Box 241 31200 Iskenderun / Turkey Tel: +90 326 6262050 Faks: 6262045 info@hazmetal.com / www.hazmetal.com. | | | Title : Design Variations |
| | | | Product Code : HZ02 S - 53580 |
| Date : 5/18/2016 | | Sheet 4 / 4 | |
| Last Modification : | | | |