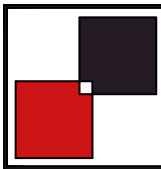
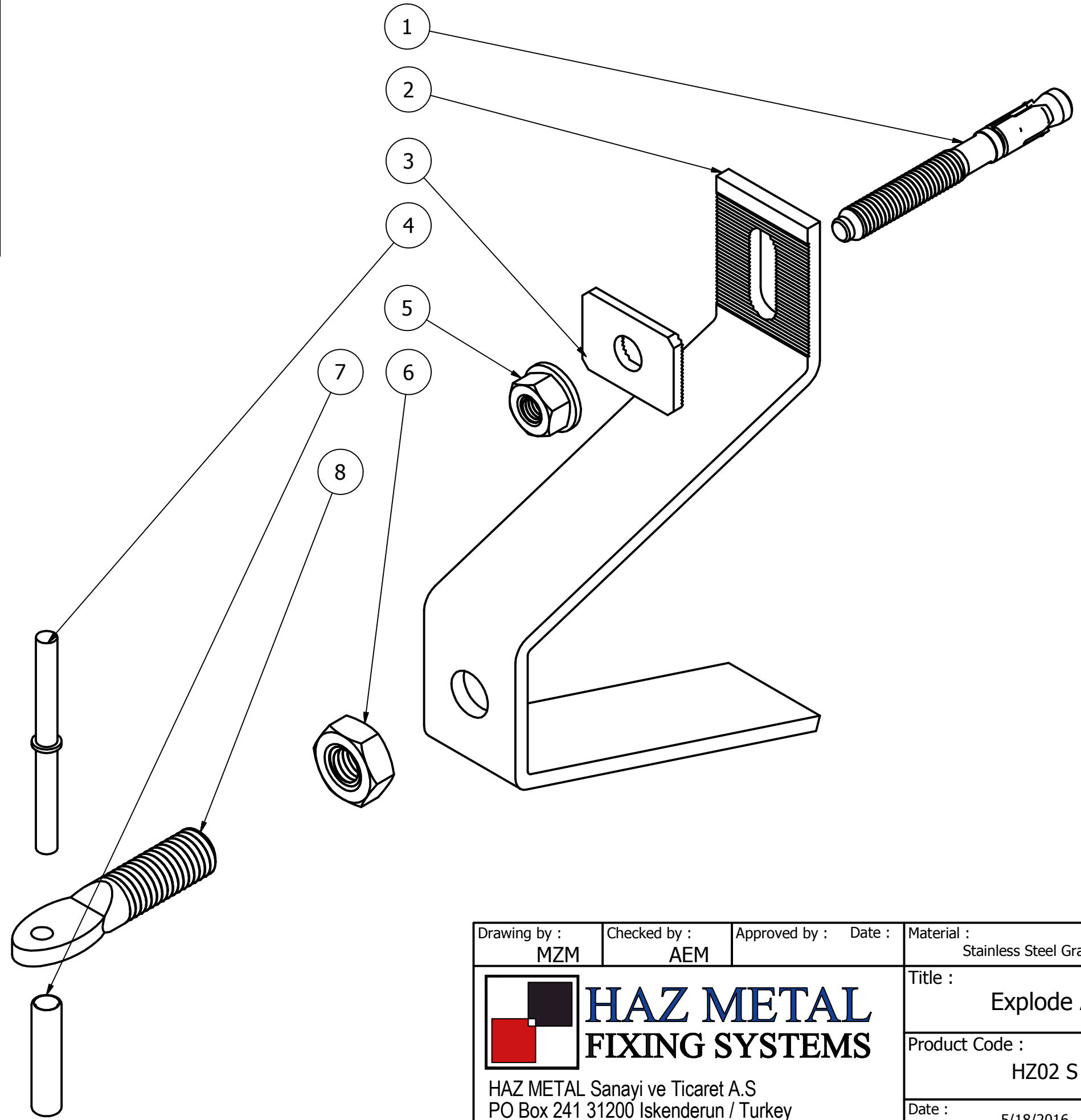


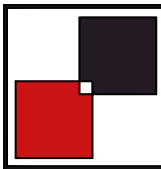
Not To Scale

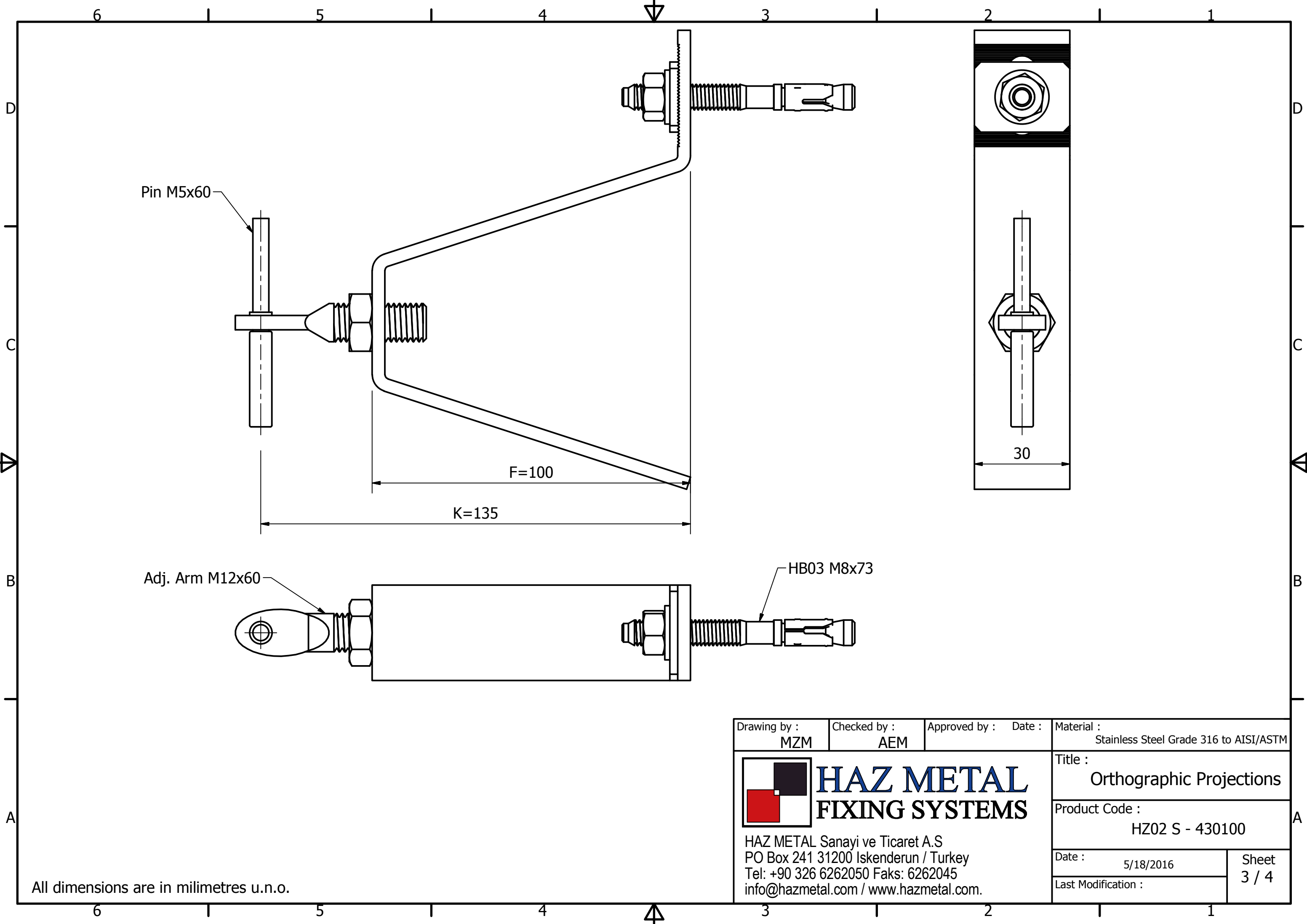
Drawing by : MZM	Checked by : AEM	Approved by : Date :	Material : Stainless Steel Grade 316 to AISI/ASTM
 HAZ METAL FIXING SYSTEMS HAZ METAL Sanayi ve Ticaret A.S PO Box 241 31200 Iskenderun / Turkey Tel: +90 326 6262050 Faks: 6262045 info@hazmetal.com / www.hazmetal.com.			Title : Isometric
			Product Code : HZ02 S - 430100
Date : 5/18/2016	Sheet 1 / 4		
Last Modification :			

PARTS LIST

ITEM	QTY	PART NUMBER
1	1	through Bolt
2	1	Anchor body
3	1	Serrated Washer
4	1	Flanged Pin
5	1	Hex Bolt Set
6	1	Nut
7	1	Plastic Tube
8	1	Adj. Arm



Drawing by : MZM	Checked by : AEM	Approved by : Date :	Material : Stainless Steel Grade 316 to AISI/ASTM
 HAZ METAL FIXING SYSTEMS			Title : Explode Assembly
			Product Code : HZ02 S - 430100
HAZ METAL Sanayi ve Ticaret A.S PO Box 241 31200 Iskenderun / Turkey Tel: +90 326 6262050 Faks: 6262045 info@hazmetal.com / www.hazmetal.com.		Date : 5/18/2016	Sheet 2 / 4
		Last Modification :	



Pin M5x60


F=100

K=135

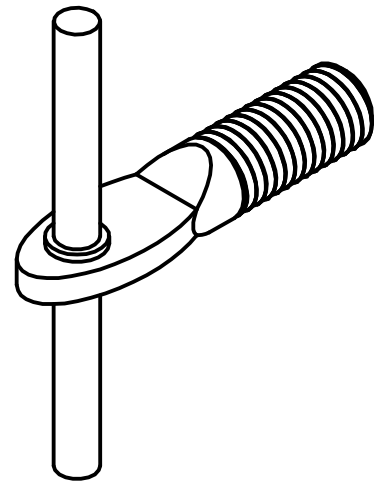
30

Adj. Arm M12x60

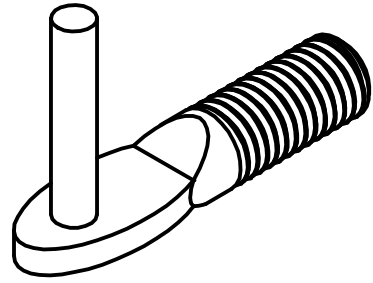
HB03 M8x73

Drawing by : MZM	Checked by : AEM	Approved by : Date :	Material : Stainless Steel Grade 316 to AISI/ASTM
 <p>HAZ METAL Sanayi ve Ticaret A.S PO Box 241 31200 Iskenderun / Turkey Tel: +90 326 6262050 Faks: 6262045 info@hazmetal.com / www.hazmetal.com.</p>			Title : Orthographic Projections
			Product Code : HZ02 S - 430100
Date : 5/18/2016		Sheet 3 / 4	
Last Modification :			

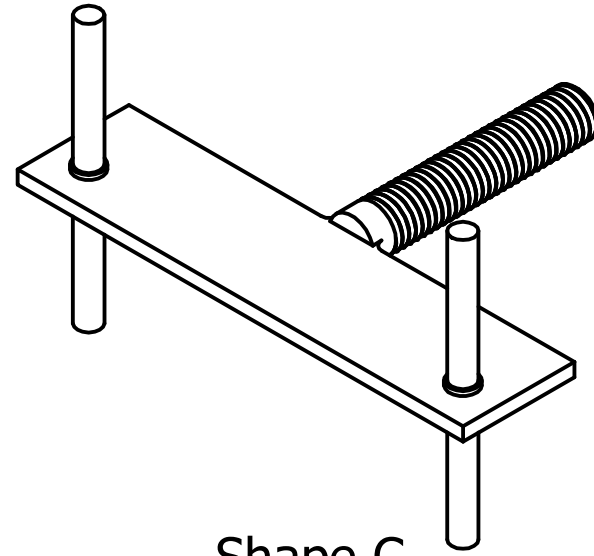
All dimensions are in millimetres u.n.o.



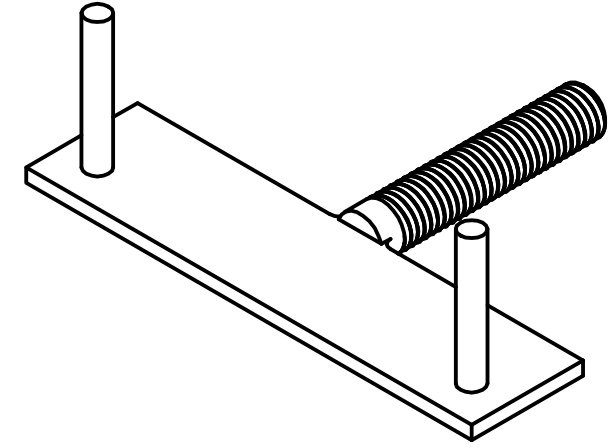
Shape A



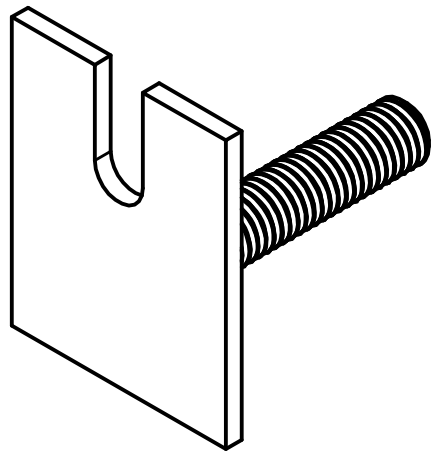
Shape B



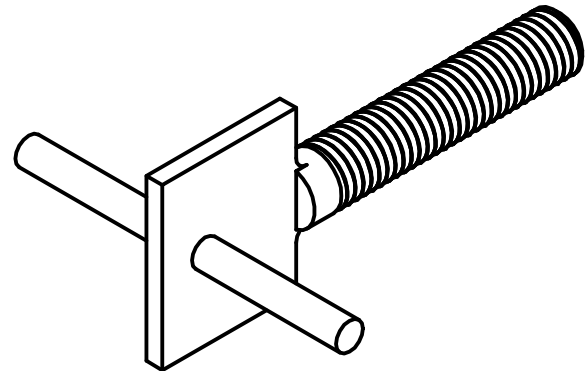
Shape C



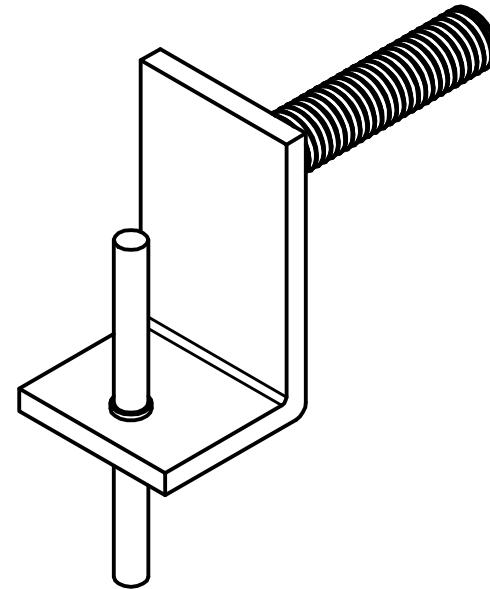
Shape D



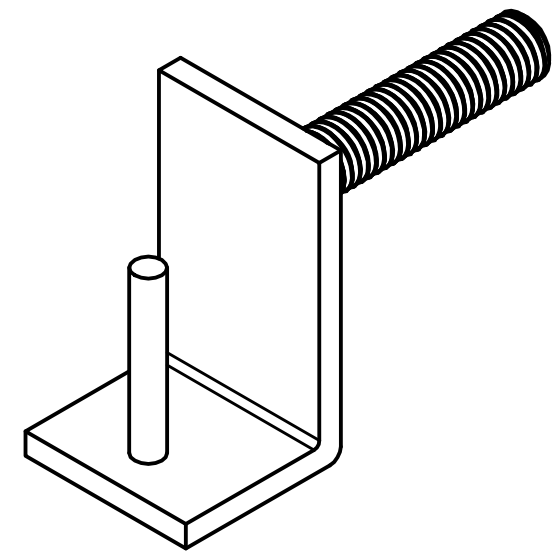
Shape E



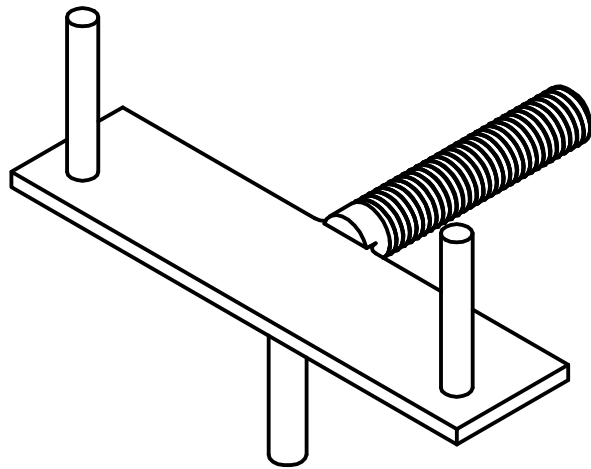
Shape F



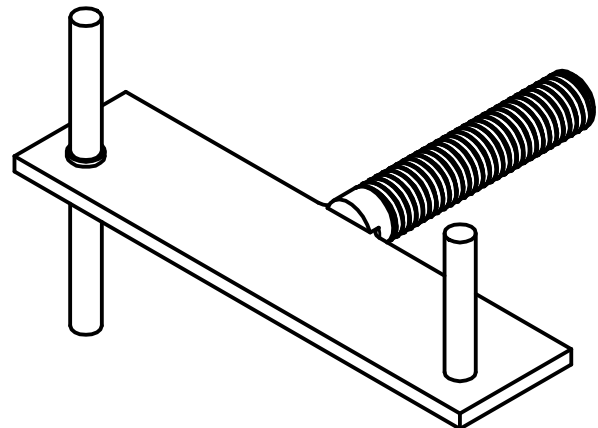
Shape G



Shape H

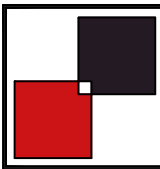


Shape J



Shape K

Not To Scale

Drawing by : MZM	Checked by : AEM	Approved by : Date :	Material : Stainless Steel Grade 316 to AISI/ASTM
 HAZ METAL FIXING SYSTEMS HAZ METAL Sanayi ve Ticaret A.S PO Box 241 31200 Iskenderun / Turkey Tel: +90 326 6262050 Faks: 6262045 info@hazmetal.com / www.hazmetal.com.			Title : Design Variations
			Product Code : HZ02 S - 430100
Date : 5/18/2016	Sheet 4 / 4		
Last Modification :			