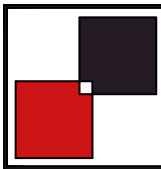
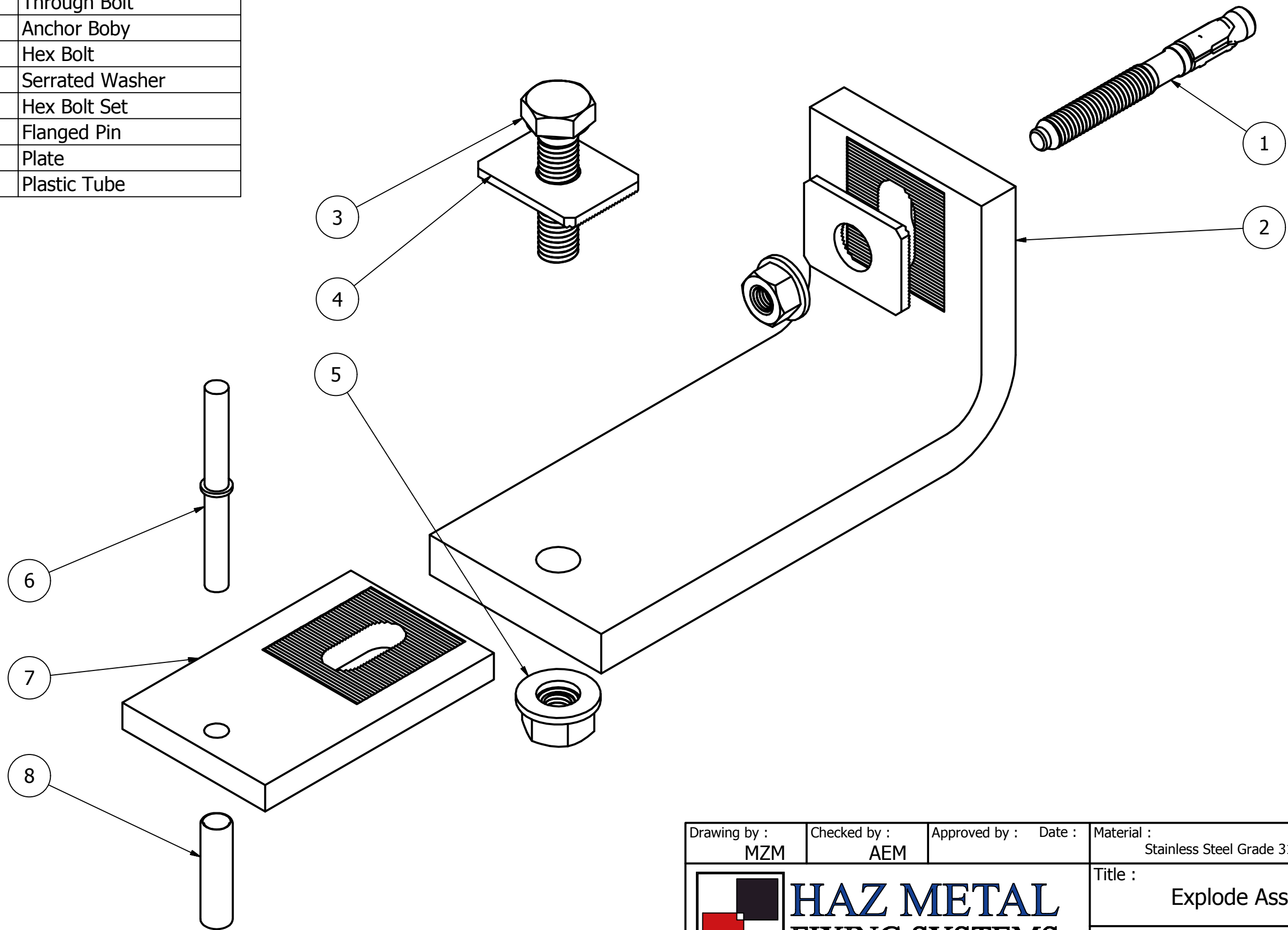


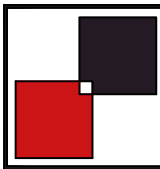
Not To Scale

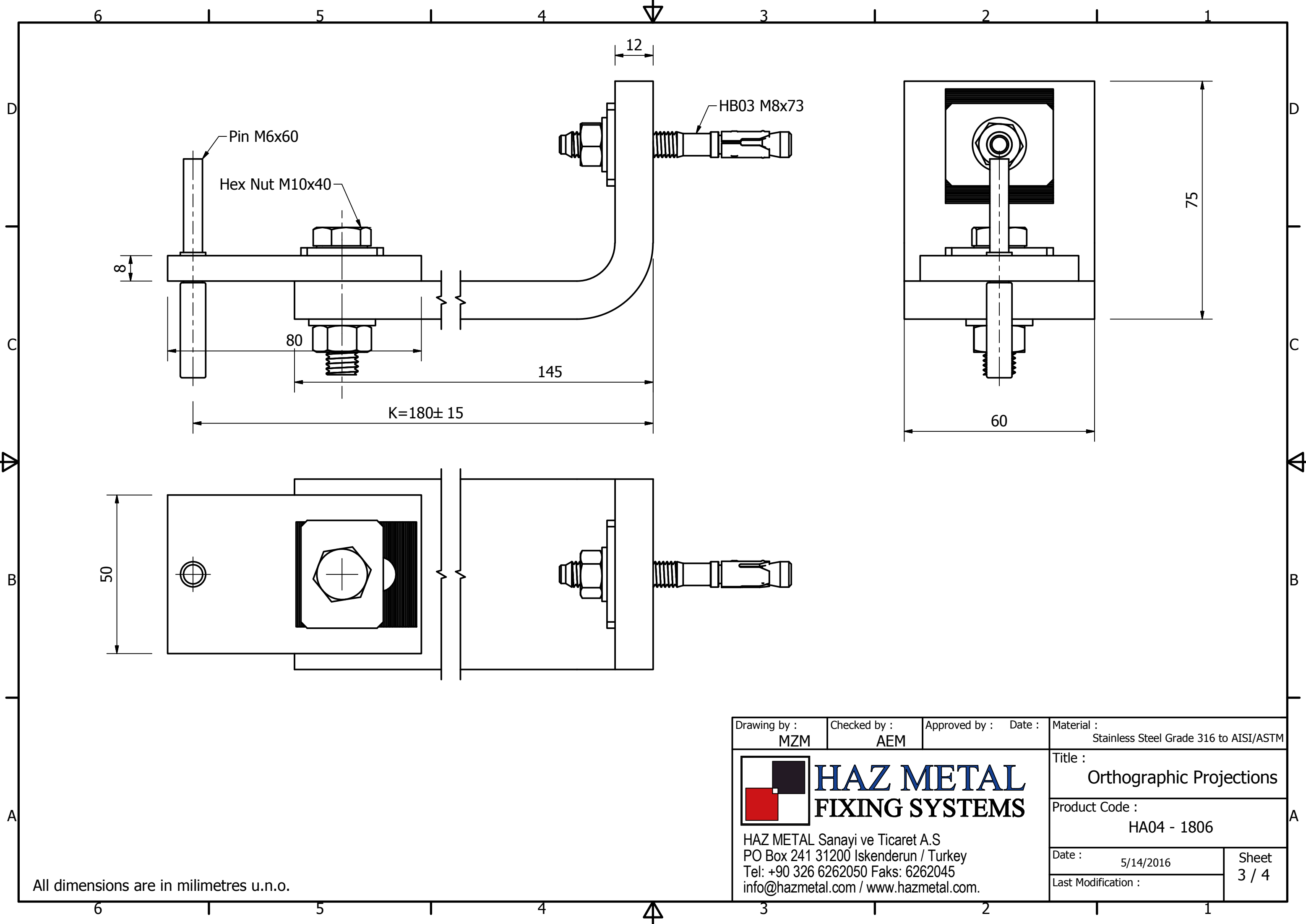
|   |                     |                         |  |
|---|---------------------|-------------------------|--|
| Drawing by :<br>MZM   | Checked by :<br>AEM | Approved by :<br>Date : | Material :<br>Stainless Steel Grade 316 to AISI/ASTM |
|  <b>HAZ METAL<br/>FIXING SYSTEMS</b><br>HAZ METAL Sanayi ve Ticaret A.S<br>PO Box 241 31200 Iskenderun / Turkey<br>Tel: +90 326 6262050 Faks: 6262045<br>info@hazmetal.com / www.hazmetal.com. |                     |                         | Title :<br>Isometric                                 |
|   |                     |                         | Product Code :<br>HA04 - 1806                        |
| Date :<br>5/14/2016   |                     | Sheet<br>1 / 4          |  |
| Last Modification :   |                     |                         |  |

PARTS LIST

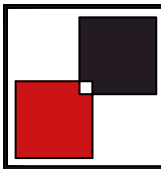
| ITEM | QTY | PART NUMBER     |
|------|-----|-----------------|
| 1    | 1   | Through Bolt    |
| 2    | 1   | Anchor Bobby    |
| 3    | 1   | Hex Bolt        |
| 4    | 2   | Serrated Washer |
| 5    | 2   | Hex Bolt Set    |
| 6    | 1   | Flanged Pin     |
| 7    | 1   | Plate           |
| 8    | 1   | Plastic Tube    |

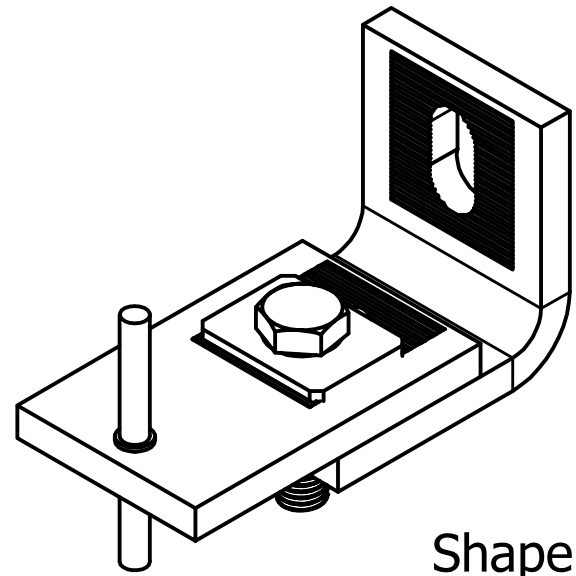


|  |                     |                         |  |
|--|---------------------|-------------------------|--|
| Drawing by :<br>MZM  | Checked by :<br>AEM | Approved by :<br>Date : | Material :<br>Stainless Steel Grade 316 to AISI/ASTM |
|  <b>HAZ METAL<br/>FIXING SYSTEMS</b>                              |                     |                         | Title :<br>Explode Assembly                          |
|  |                     |                         | Product Code :<br>HA04 - 1806                        |
| HAZ METAL Sanayi ve Ticaret A.S<br>PO Box 241 31200 Iskenderun / Turkey<br>Tel: +90 326 6262050 Faks: 6262045<br>info@hazmetal.com / www.hazmetal.com. |                     | Date :<br>5/14/2016     | Sheet<br>2 / 4                                       |
|  |                     | Last Modification :     |  |

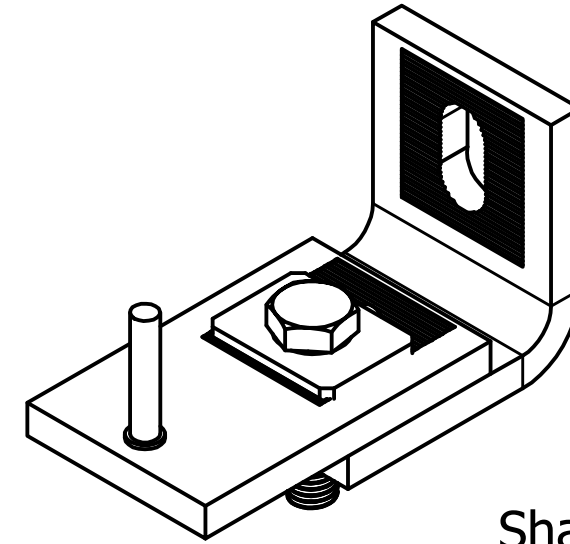


All dimensions are in millimetres u.n.o.

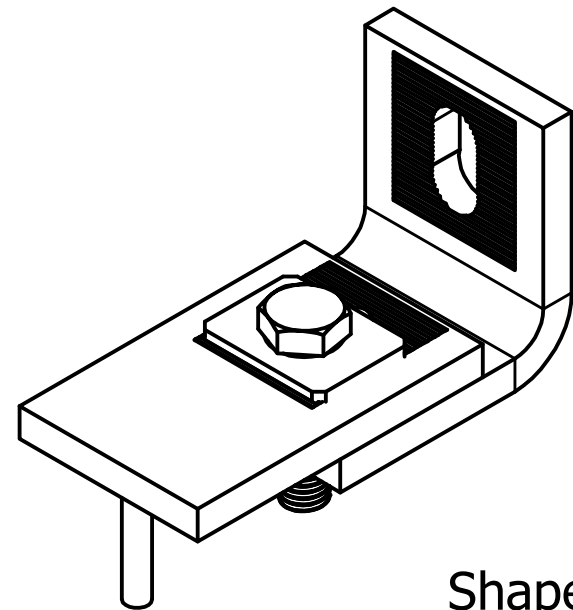
|  |                     |                         |  |
|--|---------------------|-------------------------|--|
| Drawing by :<br>MZM  | Checked by :<br>AEM | Approved by :<br>Date : | Material :<br>Stainless Steel Grade 316 to AISI/ASTM |
|  <b>HAZ METAL<br/>FIXING SYSTEMS</b>                              |                     |                         | Title :<br>Orthographic Projections                  |
|  |                     |                         | Product Code :<br>HA04 - 1806                        |
| HAZ METAL Sanayi ve Ticaret A.S<br>PO Box 241 31200 Iskenderun / Turkey<br>Tel: +90 326 6262050 Faks: 6262045<br>info@hazmetal.com / www.hazmetal.com. |                     | Date :<br>5/14/2016     | Sheet<br>3 / 4                                       |
|  |                     | Last Modification :     |  |



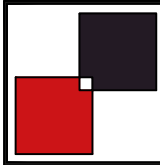
Shape A



Shape B



Shape C

|   |                            |                       |                       |  |
|---|----------------------------|-----------------------|-----------------------|--|
| Drawing by :<br><b>MZM</b>  | Checked by :<br><b>AEM</b> | Approved by :<br><br> | Date :<br><br>        | Material :<br>Stainless Steel Grade 316 to AISI/ASTM |
|  <b>HAZ METAL<br/>FIXING SYSTEMS</b><br>HAZ METAL Sanayi ve Ticaret A.S<br>PO Box 241 31200 Iskenderun / Turkey<br>Tel: +90 326 6262050 Faks: 6262045<br>info@hazmetal.com / www.hazmetal.com. |                            |                       |                       | Title :<br><b>Anchor Variations</b>                  |
|   |                            |                       |                       | Product Code :<br><b>HA04 - 1806</b>                 |
| Date :<br>5/14/2016   |                            |                       | Sheet<br><b>4 / 4</b> |  |
| Last Modification :   |                            |                       |                       |  |