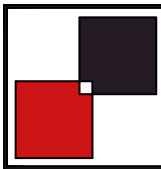
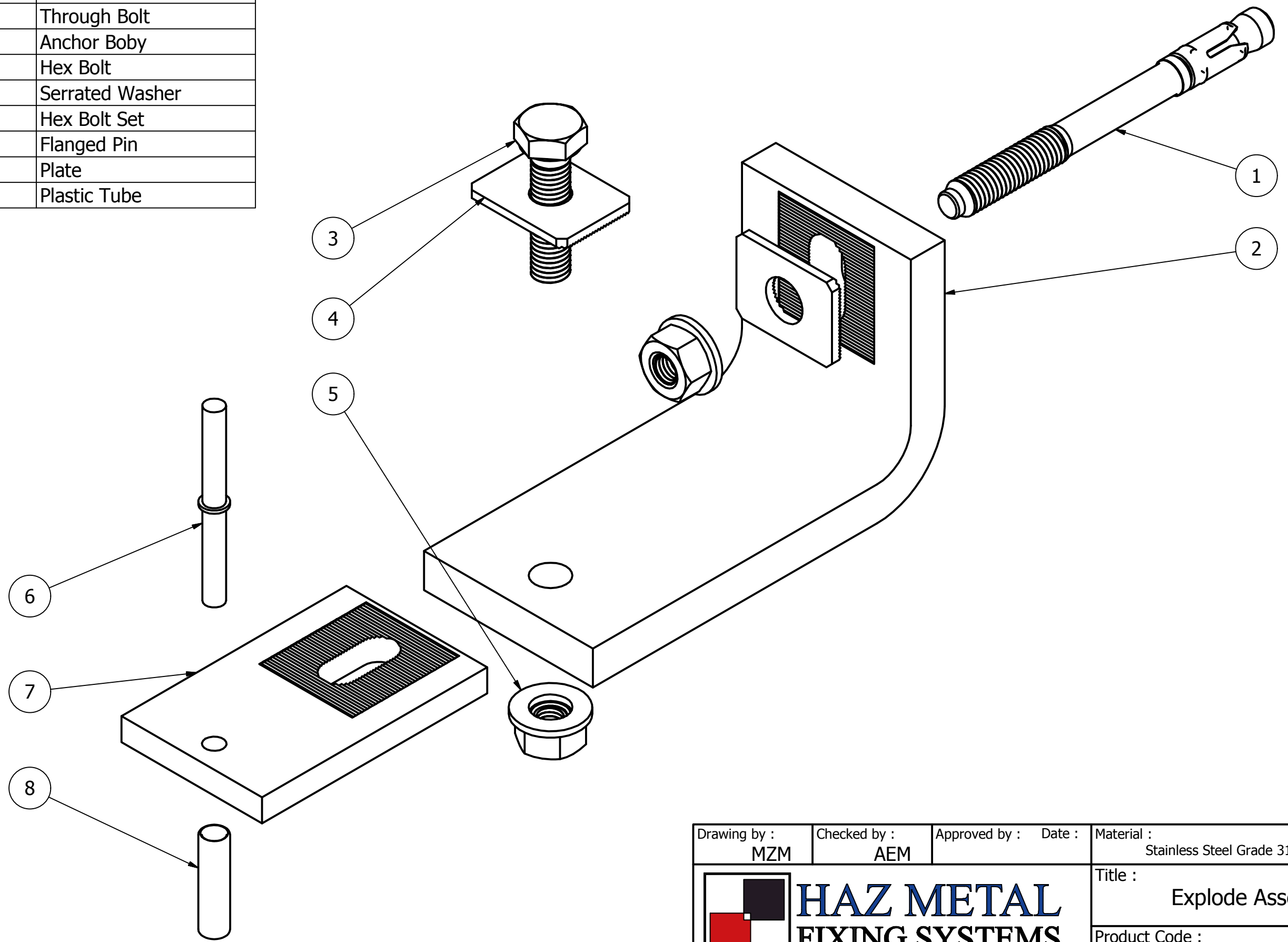


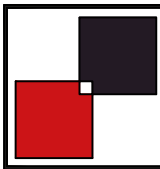
Not To Scale

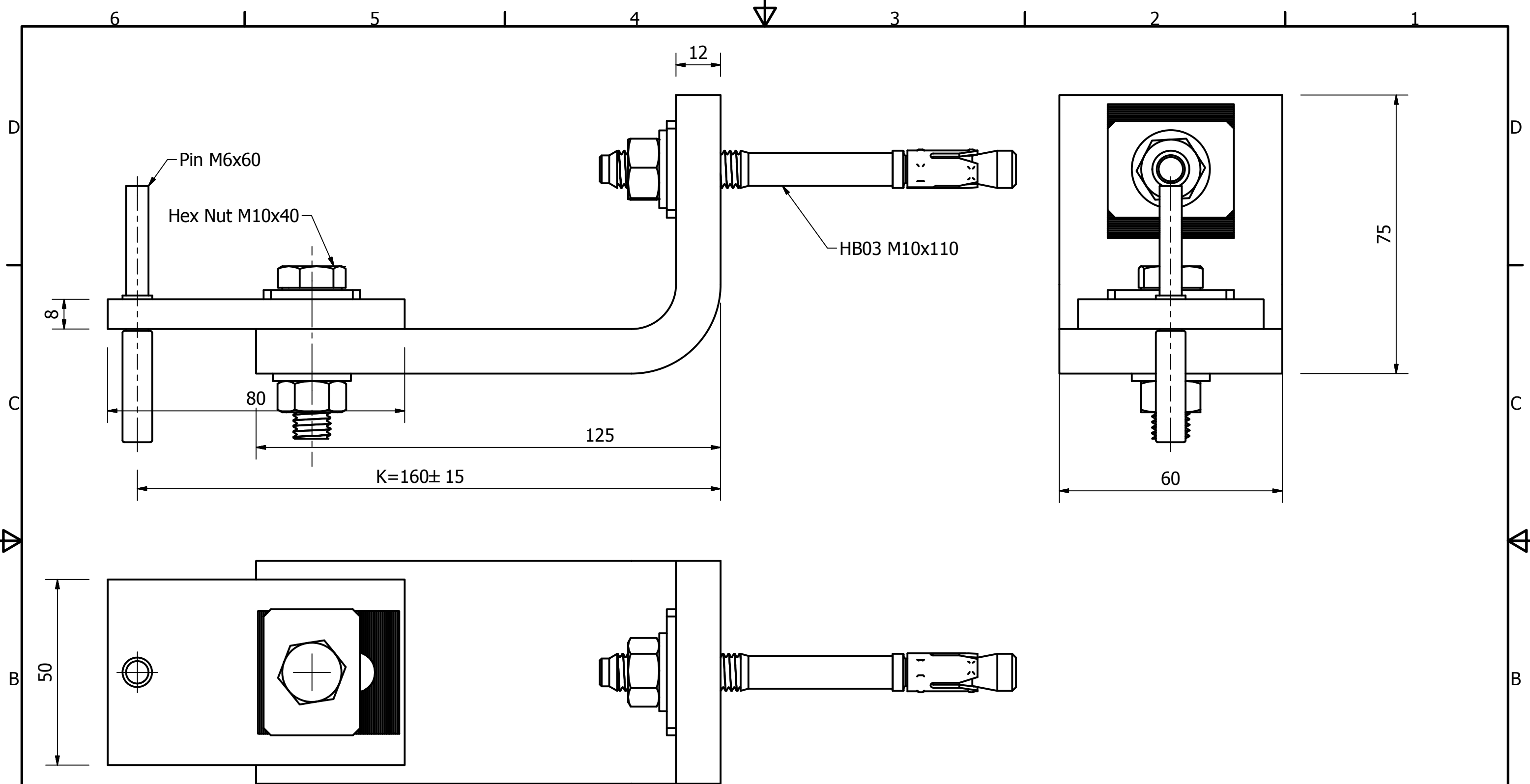
Drawing by : MZM	Checked by : AEM	Approved by : Date :	Material : Stainless Steel Grade 316 to AISI/ASTM
 HAZ METAL FIXING SYSTEMS HAZ METAL Sanayi ve Ticaret A.S PO Box 241 31200 Iskenderun / Turkey Tel: +90 326 6262050 Faks: 6262045 info@hazmetal.com / www.hazmetal.com.			Title : Isometric
			Product Code : HA04 - 1608
Date : 5/14/2016		Sheet 1 / 4	
Last Modification :			

PARTS LIST

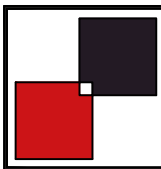
ITEM	QTY	PART NUMBER
1	1	Through Bolt
2	1	Anchor Bobby
3	1	Hex Bolt
4	2	Serrated Washer
5	2	Hex Bolt Set
6	1	Flanged Pin
7	1	Plate
8	1	Plastic Tube

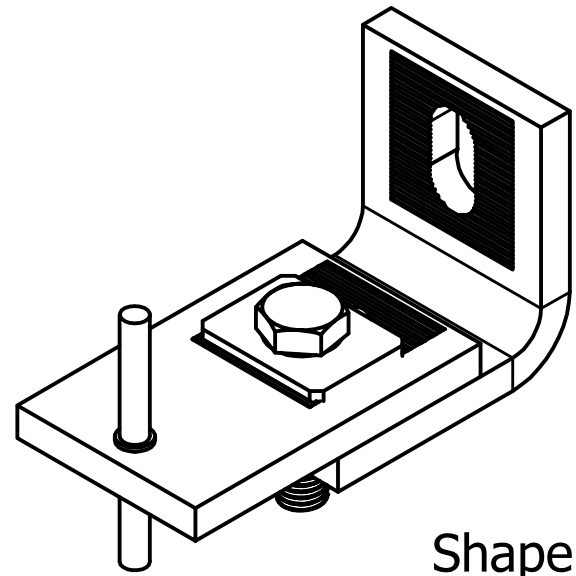


Drawing by : MZM	Checked by : AEM	Approved by : Date :	Material : Stainless Steel Grade 316 to AISI/ASTM
 HAZ METAL FIXING SYSTEMS			Title : Explode Assembly
			Product Code : HA04 - 1608
HAZ METAL Sanayi ve Ticaret A.S PO Box 241 31200 Iskenderun / Turkey Tel: +90 326 6262050 Faks: 6262045 info@hazmetal.com / www.hazmetal.com.		Date : 5/14/2016	Sheet 2 / 4
		Last Modification :	

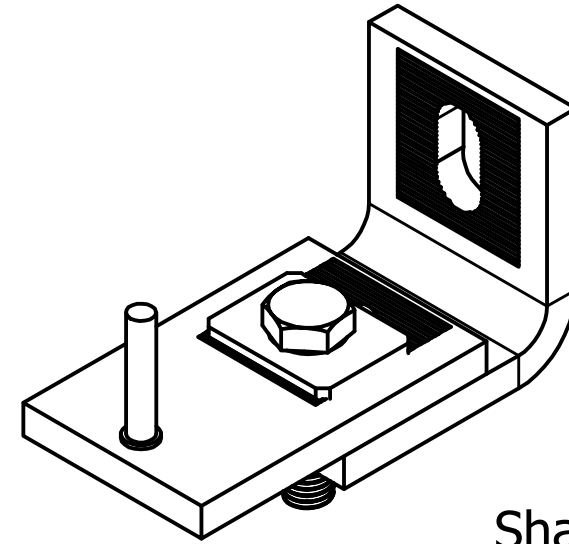


All dimensions are in millimetres u.n.o.

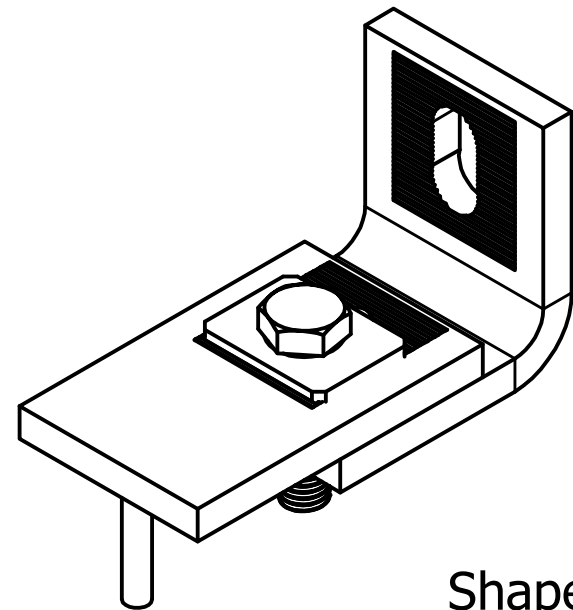
Drawing by : MZM	Checked by : AEM	Approved by : Date :	Material : Stainless Steel Grade 316 to AISI/ASTM
 HAZ METAL FIXING SYSTEMS			Title : Orthographic Projections
			Product Code : HA04 - 1608
HAZ METAL Sanayi ve Ticaret A.S PO Box 241 31200 Iskenderun / Turkey Tel: +90 326 6262050 Faks: 6262045 info@hazmetal.com / www.hazmetal.com.		Date : 5/14/2016	Sheet 3 / 4
		Last Modification :	



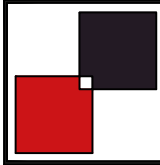
Shape A



Shape B



Shape C

Drawing by : MZM	Checked by : AEM	Approved by : 	Date : 	Material : Stainless Steel Grade 316 to AISI/ASTM
 HAZ METAL FIXING SYSTEMS HAZ METAL Sanayi ve Ticaret A.S PO Box 241 31200 Iskenderun / Turkey Tel: +90 326 6262050 Faks: 6262045 info@hazmetal.com / www.hazmetal.com.				Title : Anchor Variations
				Product Code : HA04 - 1608
Date : 5/14/2016			Sheet 4 / 4	
Last Modification :				