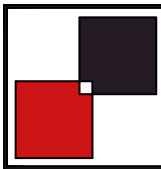
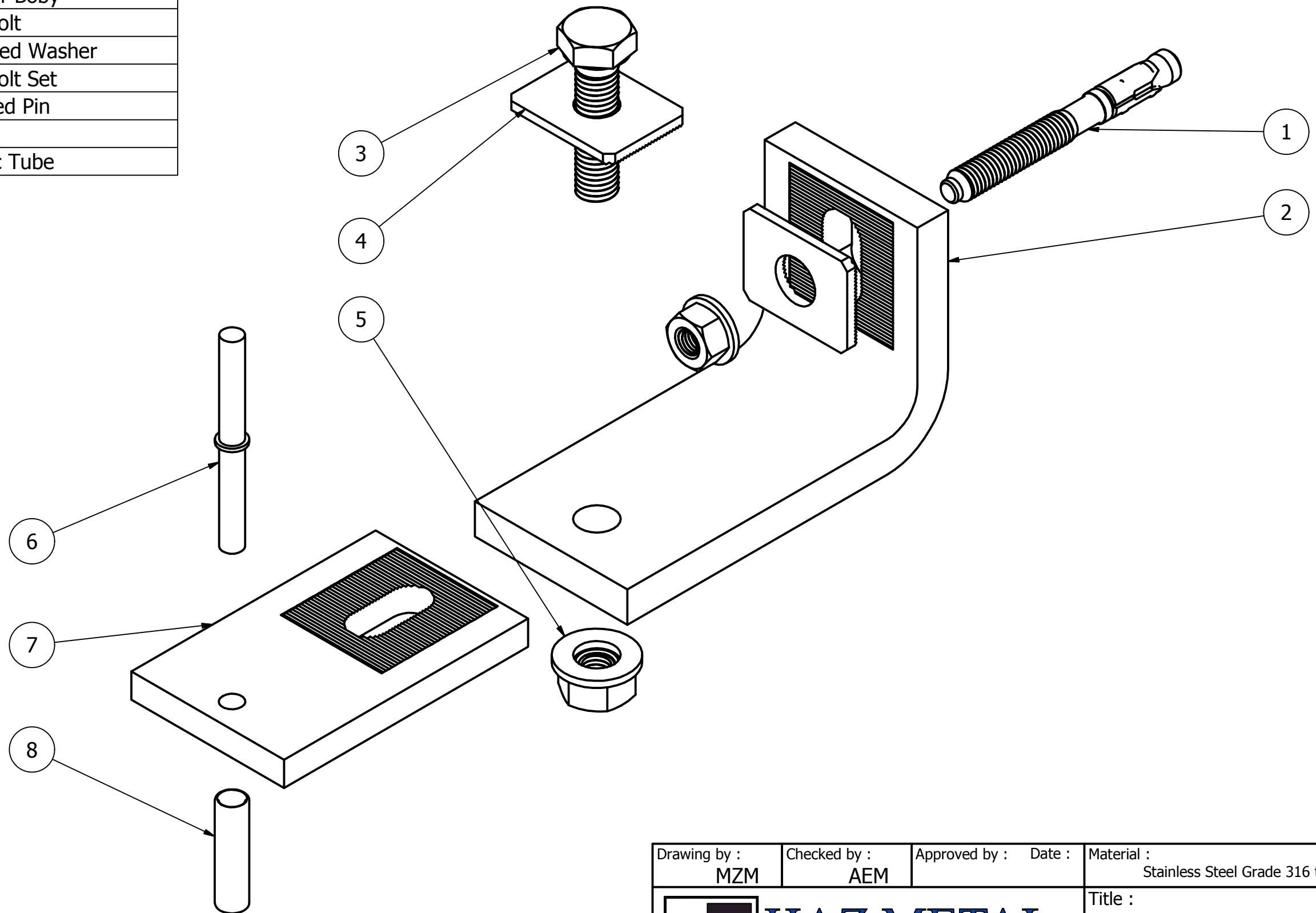


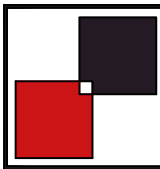
Not To Scale

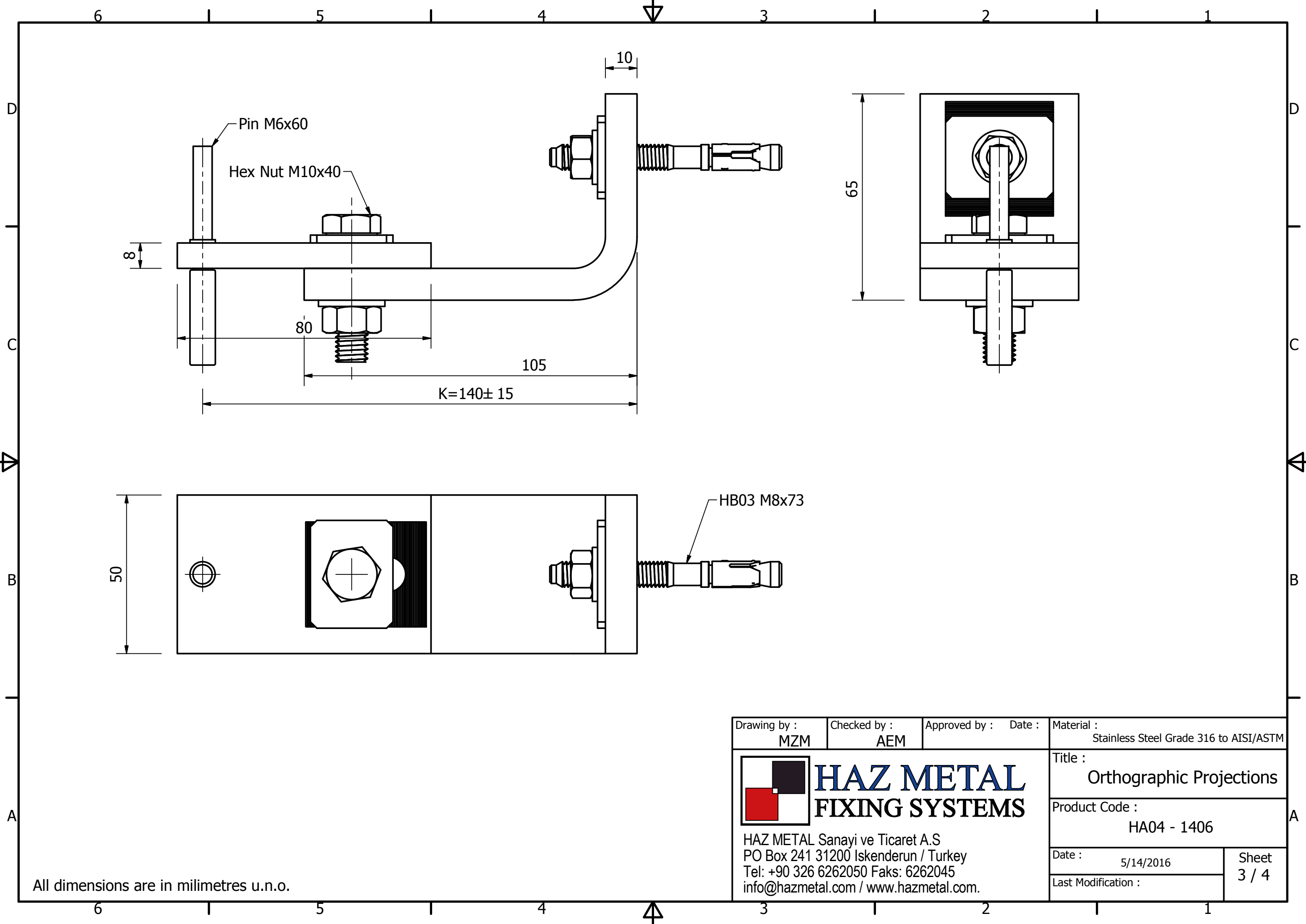
Drawing by : MZM	Checked by : AEM	Approved by : Date :	Material : Stainless Steel Grade 316 to AISI/ASTM
 <b>HAZ METAL FIXING SYSTEMS</b> HAZ METAL Sanayi ve Ticaret A.S PO Box 241 31200 Iskenderun / Turkey Tel: +90 326 6262050 Faks: 6262045 info@hazmetal.com / www.hazmetal.com.			Title : Isometric
			Product Code : HA04 - 1406
Date : 5/14/2016		Sheet 1 / 4	
Last Modification :			

PARTS LIST

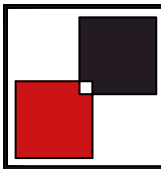
ITEM	QTY	PART NUMBER
1	1	Through Bolt
2	1	Anchor Body
3	1	Hex Bolt
4	2	Serrated Washer
5	2	Hex Bolt Set
6	1	Flanged Pin
7	1	Plate
8	1	Plastic Tube



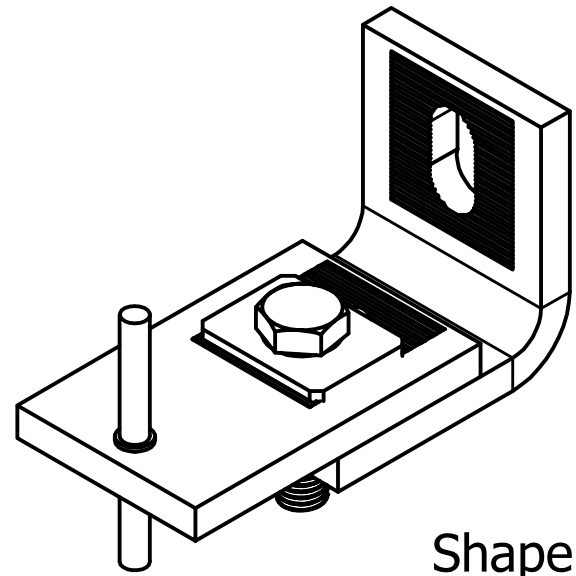
Drawing by : MZM	Checked by : AEM	Approved by : Date :	Material : Stainless Steel Grade 316 to AISI/ASTM
 <b>HAZ METAL FIXING SYSTEMS</b> HAZ METAL Sanayi ve Ticaret A.S PO Box 241 31200 Iskenderun / Turkey Tel: +90 326 6262050 Faks: 6262045 info@hazmetal.com / www.hazmetal.com.			Title : Explode Assembly
			Product Code : HA04 - 1406
Date : 5/14/2016	Sheet 2 / 4		
Last Modification :			



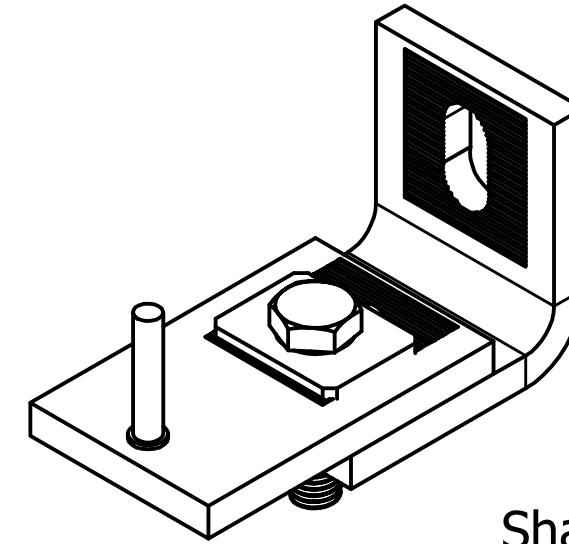
All dimensions are in millimetres u.n.o.

Drawing by : MZM	Checked by : AEM	Approved by : Date :	Material : Stainless Steel Grade 316 to AISI/ASTM
 <b>HAZ METAL FIXING SYSTEMS</b>			Title : Orthographic Projections
			Product Code : HA04 - 1406
Date : 5/14/2016		Sheet 3 / 4	
Last Modification :			

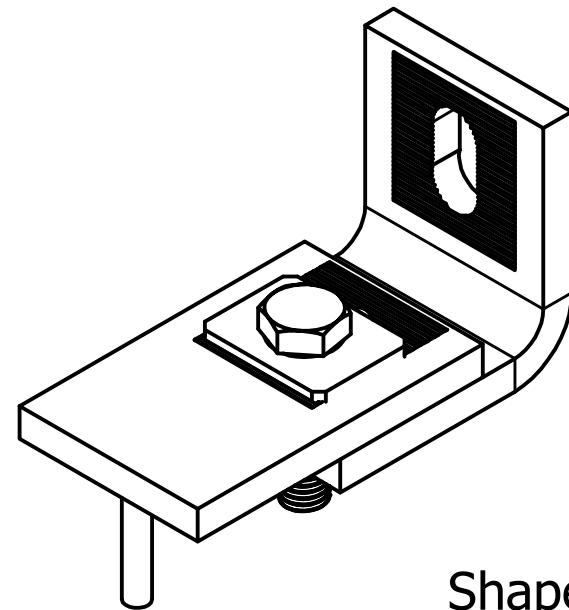
HAZ METAL Sanayi ve Ticaret A.S  
 PO Box 241 31200 Iskenderun / Turkey  
 Tel: +90 326 6262050 Faks: 6262045  
 info@hazmetal.com / www.hazmetal.com.



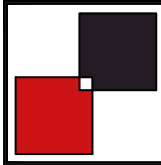
Shape A



Shape B



Shape C

Drawing by : <b>MZM</b>	Checked by : <b>AEM</b>	Approved by :  	Date :  	Material : Stainless Steel Grade 316 to AISI/ASTM
 <b>HAZ METAL FIXING SYSTEMS</b> HAZ METAL Sanayi ve Ticaret A.S PO Box 241 31200 Iskenderun / Turkey Tel: +90 326 6262050 Faks: 6262045 info@hazmetal.com / www.hazmetal.com.				Title : <b>Anchor Variations</b>
				Product Code : <b>HA04 - 1406</b>
Date : 5/14/2016			Sheet <b>4 / 4</b>	
Last Modification :  				