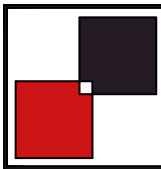
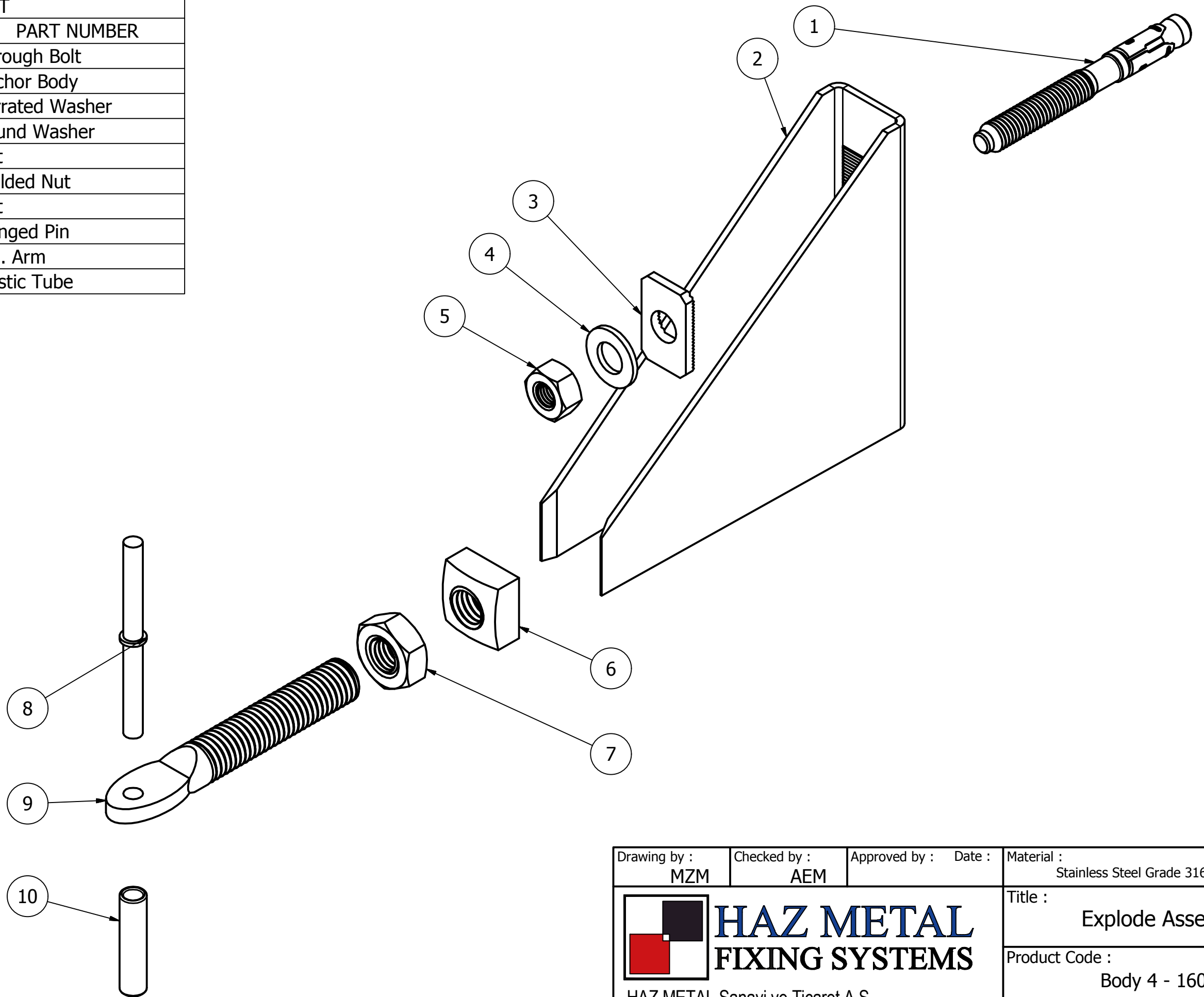


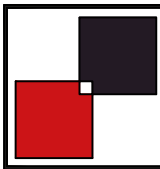
Not To Scale

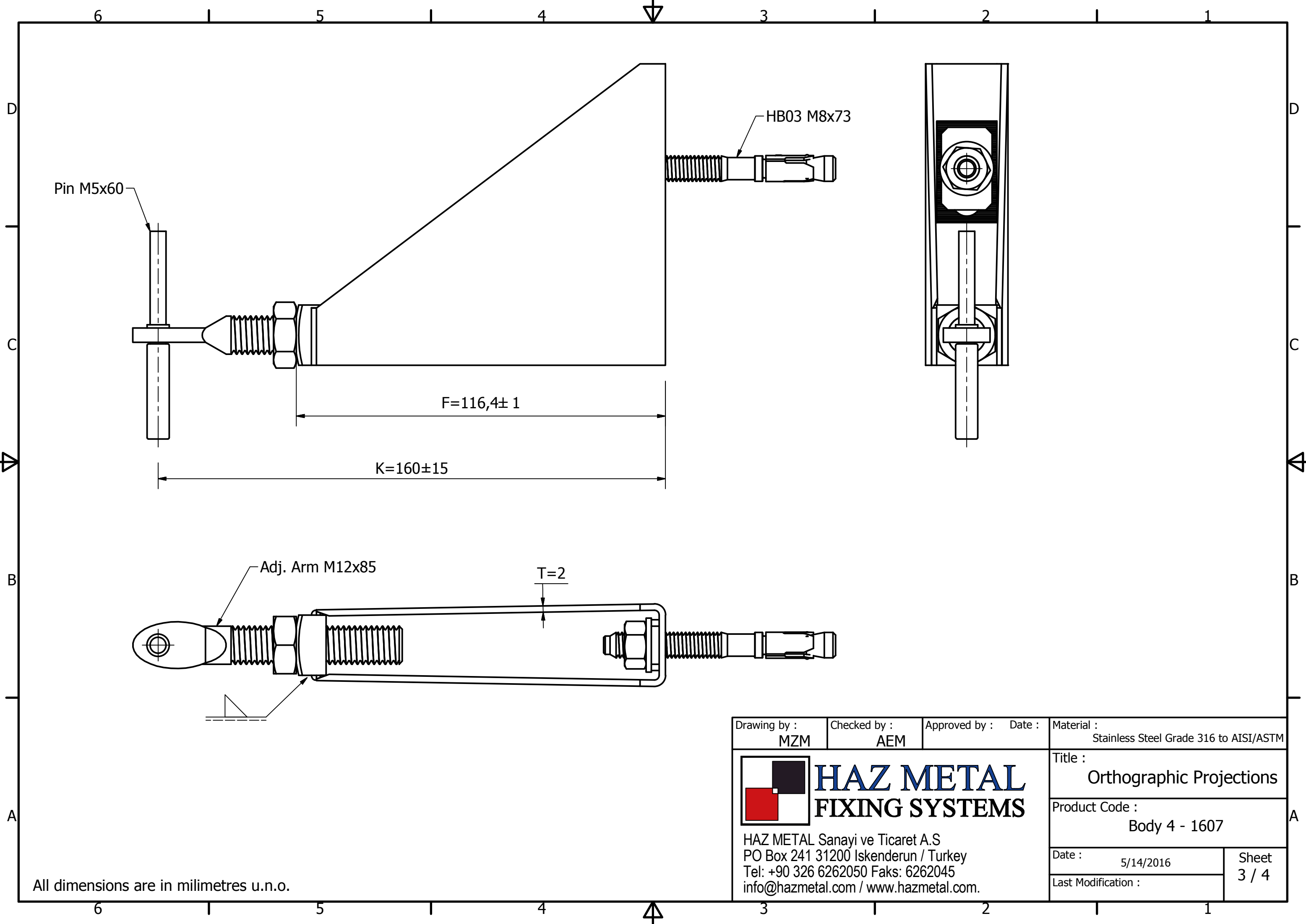
Drawing by : MZM	Checked by : AEM	Approved by : Date :	Material : Stainless Steel Grade 316 to AISI/ASTM
 HAZ METAL FIXING SYSTEMS HAZ METAL Sanayi ve Ticaret A.S PO Box 241 31200 Iskenderun / Turkey Tel: +90 326 6262050 Faks: 6262045 info@hazmetal.com / www.hazmetal.com.			Title : Isometric
			Product Code : Body 4 - 1607
Date : 5/14/2016		Sheet 1 / 4	
Last Modification :			

PARTS LIST

ITEM	QTY	PART NUMBER
1	1	Through Bolt
2	1	Anchor Body
3	1	Serrated Washer
4	1	Round Washer
5	1	Nut
6	1	Welded Nut
7	1	Nut
8	1	Flanged Pin
9	1	Adj. Arm
10	1	Plastic Tube



Drawing by : MZM	Checked by : AEM	Approved by : Date :	Material : Stainless Steel Grade 316 to AISI/ASTM
 HAZ METAL FIXING SYSTEMS			Title : Explode Assembly
			Product Code : Body 4 - 1607
HAZ METAL Sanayi ve Ticaret A.S PO Box 241 31200 Iskenderun / Turkey Tel: +90 326 6262050 Faks: 6262045 info@hazmetal.com / www.hazmetal.com.		Date : 5/14/2016	Sheet 2 / 4
		Last Modification :	



Pin M5x60

HB03 M8x73

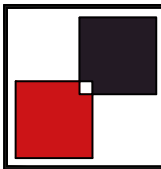
$F = 116,4 \pm 1$

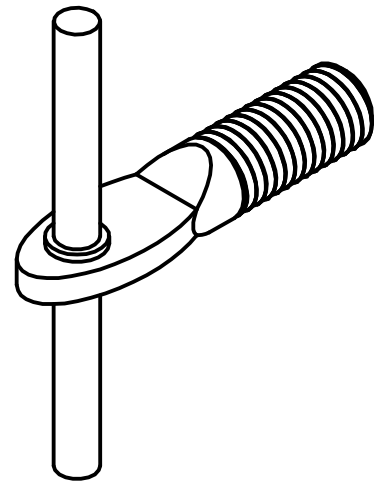
$K = 160 \pm 15$

Adj. Arm M12x85

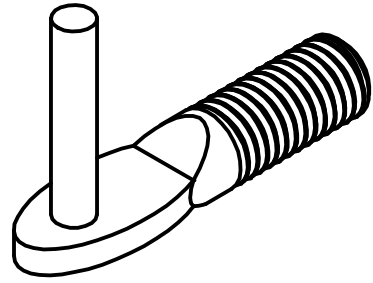
$T = 2$

All dimensions are in millimetres u.n.o.

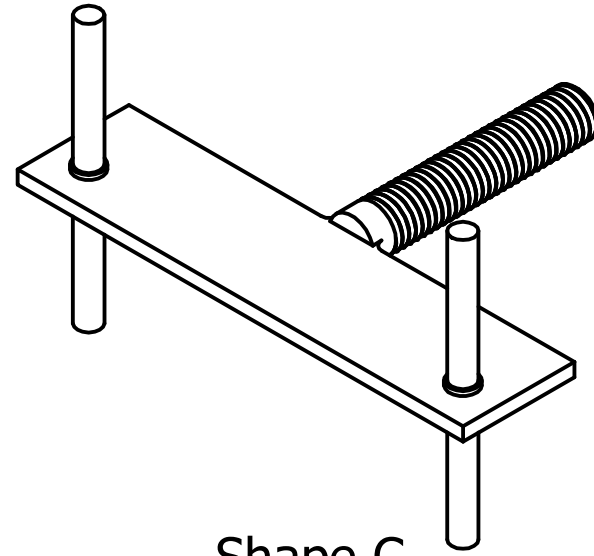
Drawing by : MZM	Checked by : AEM	Approved by : Date :	Material : Stainless Steel Grade 316 to AISI/ASTM
 HAZ METAL FIXING SYSTEMS HAZ METAL Sanayi ve Ticaret A.S PO Box 241 31200 Iskenderun / Turkey Tel: +90 326 6262050 Faks: 6262045 info@hazmetal.com / www.hazmetal.com.			Title : Orthographic Projections
			Product Code : Body 4 - 1607
Date : 5/14/2016	Last Modification :		Sheet 3 / 4



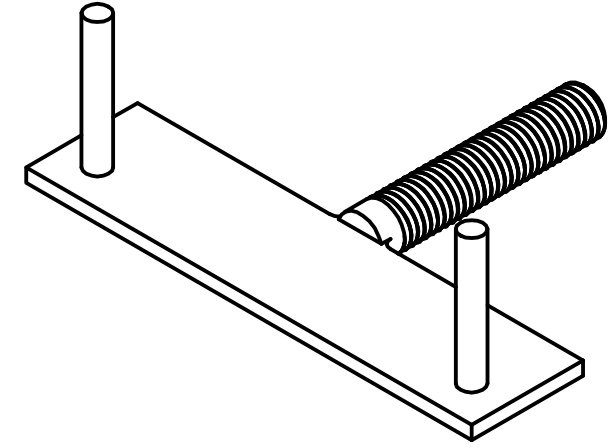
Shape A



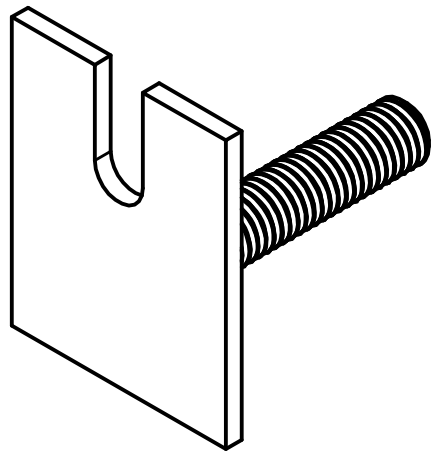
Shape B



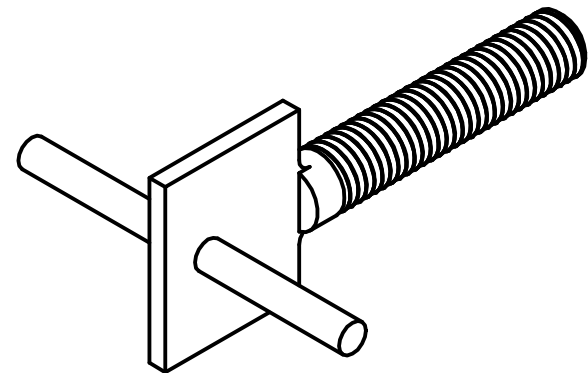
Shape C



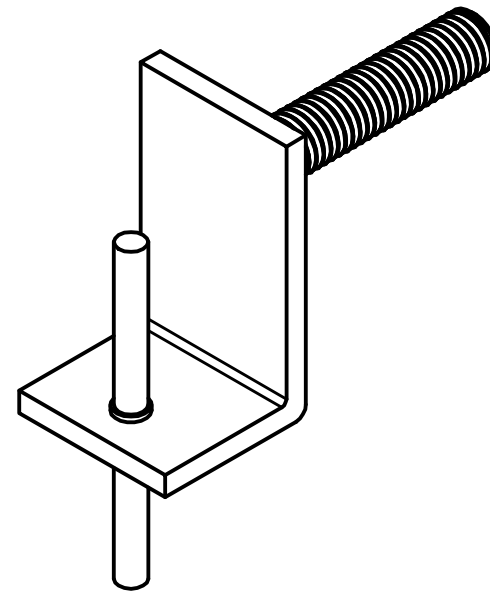
Shape D



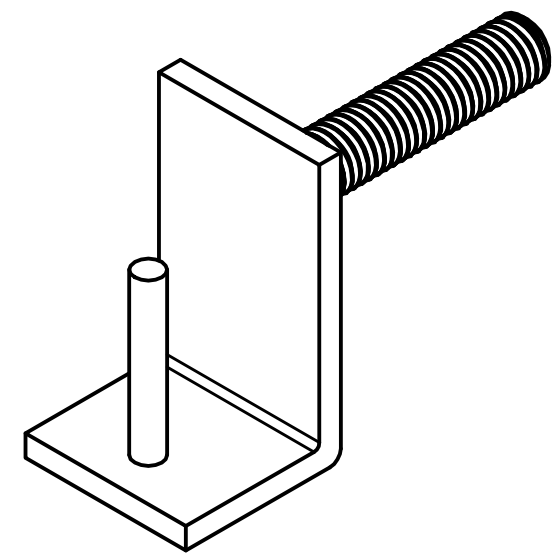
Shape E



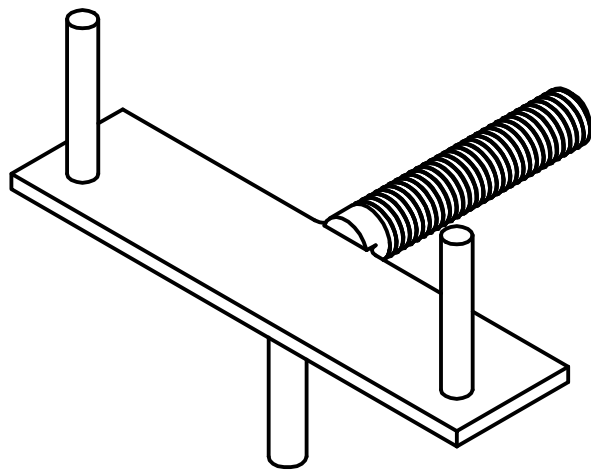
Shape F



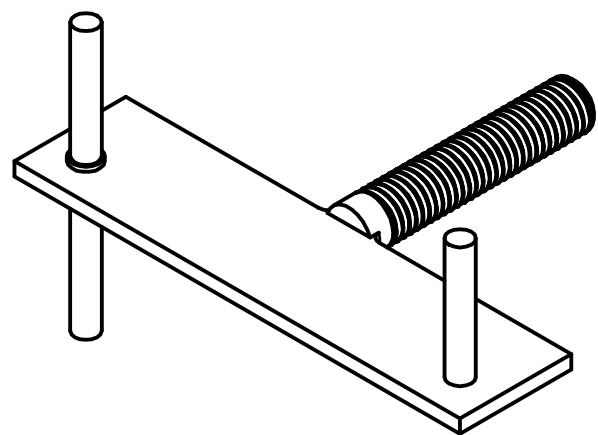
Shape G



Shape H

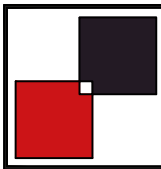


Shape J



Shape K

Not To Scale

Drawing by : MZM	Checked by : AEM	Approved by : Date :	Material : Stainless Steel Grade 316 to AISI/ASTM
 HAZ METAL FIXING SYSTEMS HAZ METAL Sanayi ve Ticaret A.S PO Box 241 31200 Iskenderun / Turkey Tel: +90 326 6262050 Faks: 6262045 info@hazmetal.com / www.hazmetal.com.			Title : Design Variations
			Product Code : Body 4 - 1607
Date : 5/14/2016	Sheet 4 / 4		
Last Modification :			