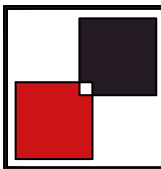
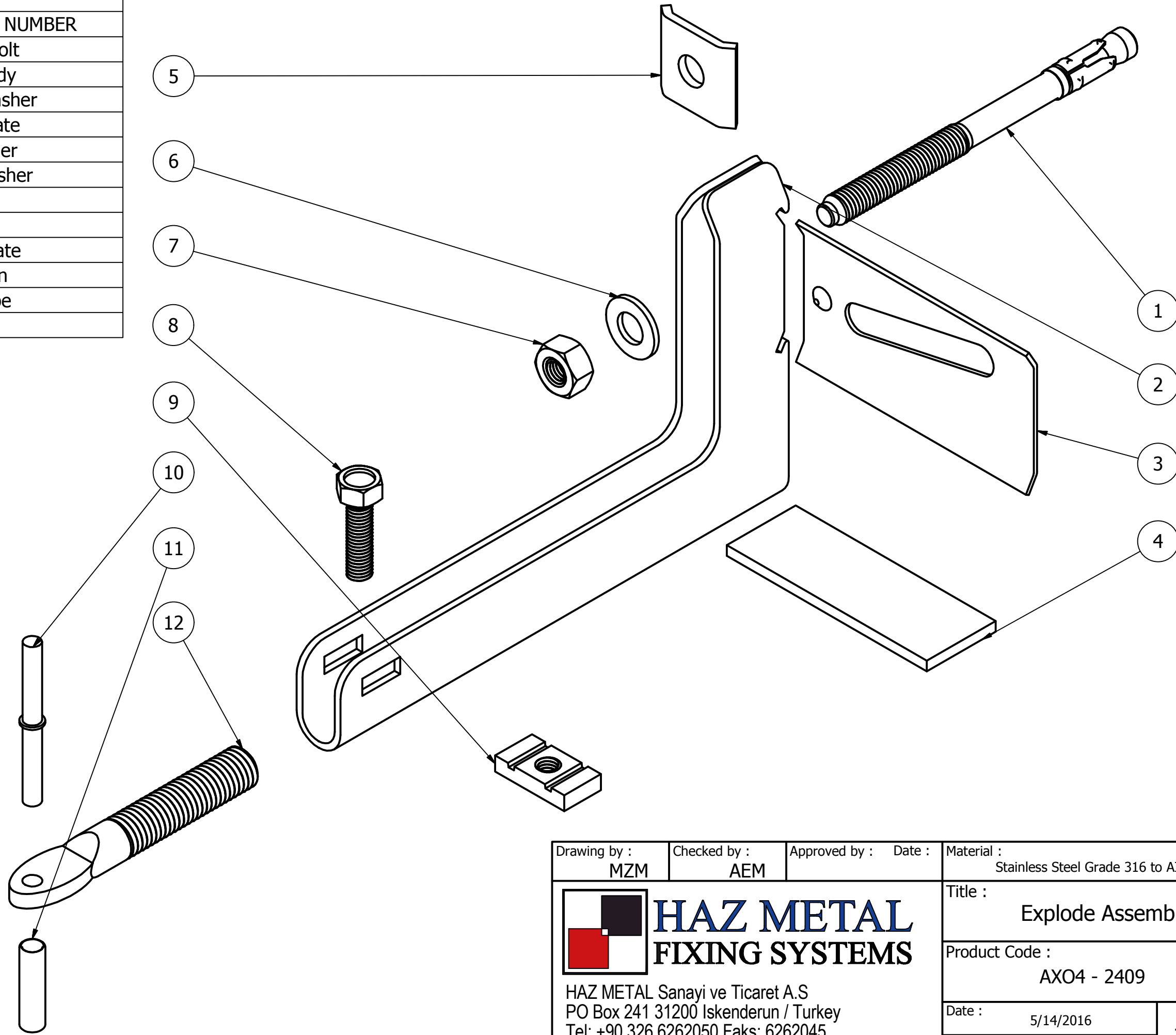
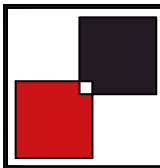


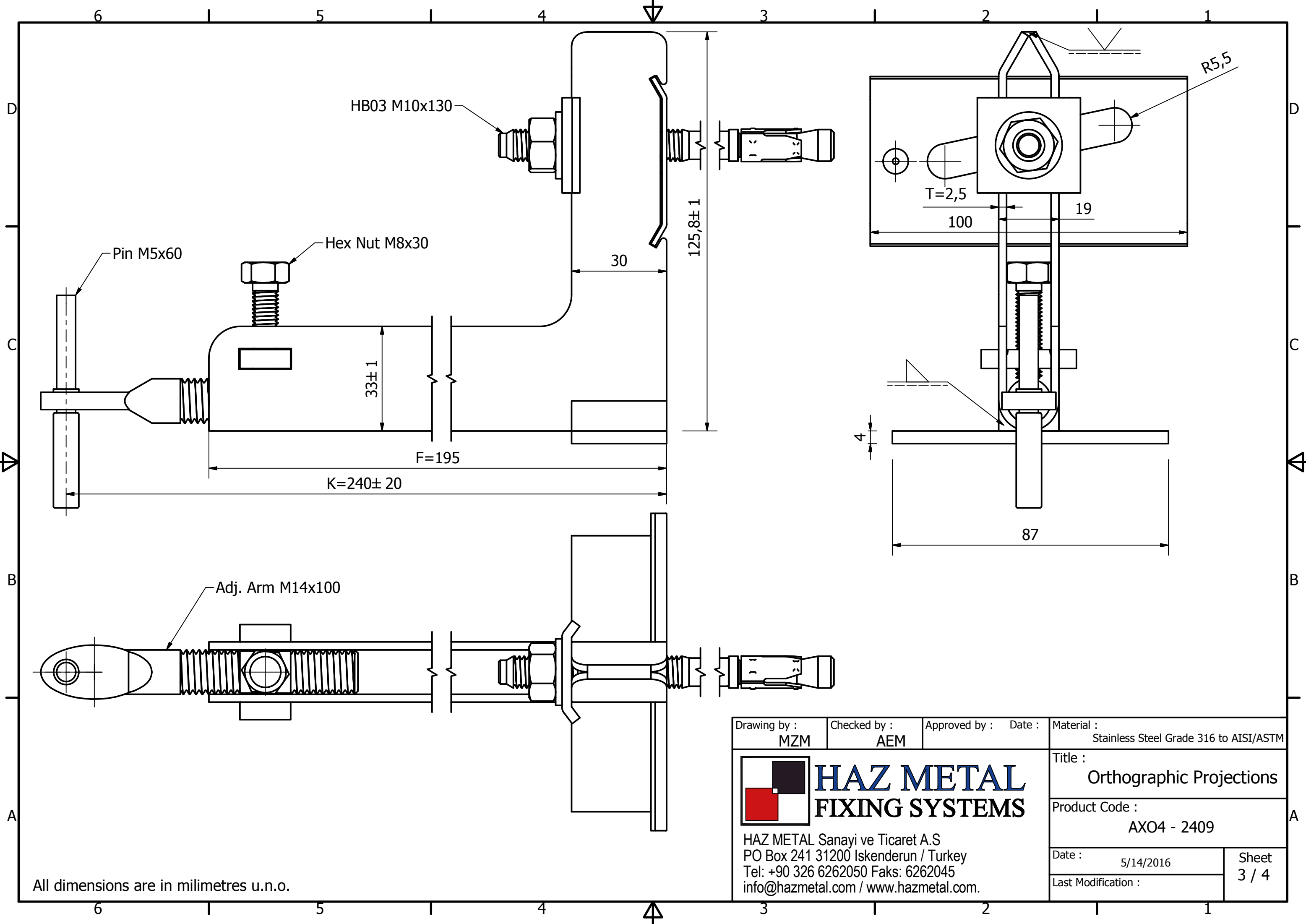
Not To Scale

Drawing by : MZM	Checked by : AEM	Approved by : Date :	Material : Stainless Steel Grade 316 to AISI/ASTM
 HAZ METAL FIXING SYSTEMS HAZ METAL Sanayi ve Ticaret A.S PO Box 241 31200 Iskenderun / Turkey Tel: +90 326 6262050 Faks: 6262045 info@hazmetal.com / www.hazmetal.com.			Title : Isometric
			Product Code : AXO4 - 2409
Date : 5/14/2016		Sheet 1 / 4	
Last Modification :			

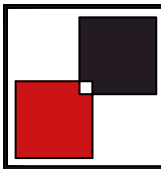
PARTS LIST		
ITEM	QTY	PART NUMBER
1	1	Through Bolt
2	1	Anchor Body
3	1	Wedge Washer
4	1	Welded Plate
5	1	Lock Washer
6	1	Round Washer
7	1	Nut
8	1	Hex Nut
9	1	Locking Plate
10	1	Flanged Pin
11	1	Plastic Tube
12	1	Adj. Arm

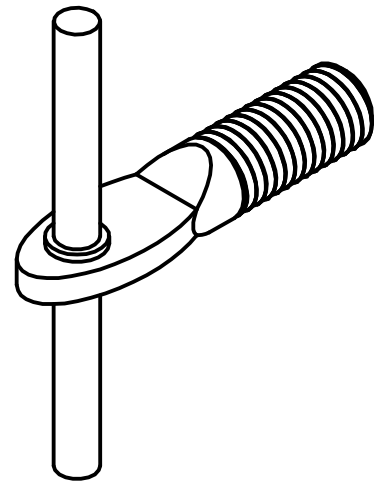


Drawing by : MZM	Checked by : AEM	Approved by : Date :	Material : Stainless Steel Grade 316 to AISI/ASTM
 HAZ METAL FIXING SYSTEMS			Title : Explode Assembly
			Product Code : AXO4 - 2409
Date : 5/14/2016		Sheet 2 / 4	
Last Modification :			
HAZ METAL Sanayi ve Ticaret A.S PO Box 241 31200 Iskenderun / Turkey Tel: +90 326 6262050 Faks: 6262045 info@hazmetal.com / www.hazmetal.com.			

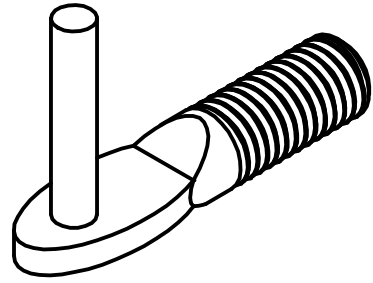


All dimensions are in millimetres u.n.o.

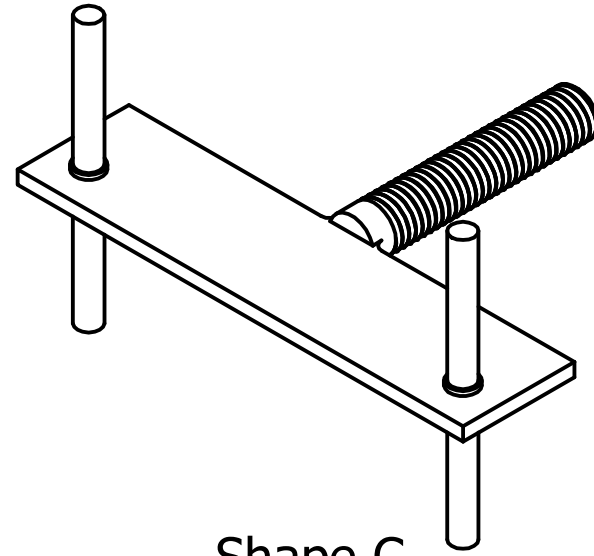
Drawing by : MZM	Checked by : AEM	Approved by :	Date :	Material : Stainless Steel Grade 316 to AISI/ASTM
 HAZ METAL FIXING SYSTEMS				Title : Orthographic Projections
				Product Code : AXO4 - 2409
Date : 5/14/2016			Sheet 3 / 4	
Last Modification :				
HAZ METAL Sanayi ve Ticaret A.S PO Box 241 31200 Iskenderun / Turkey Tel: +90 326 6262050 Faks: 6262045 info@hazmetal.com / www.hazmetal.com.				



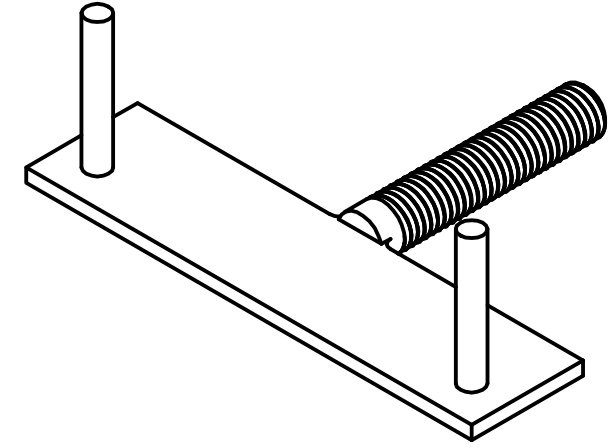
Shape A



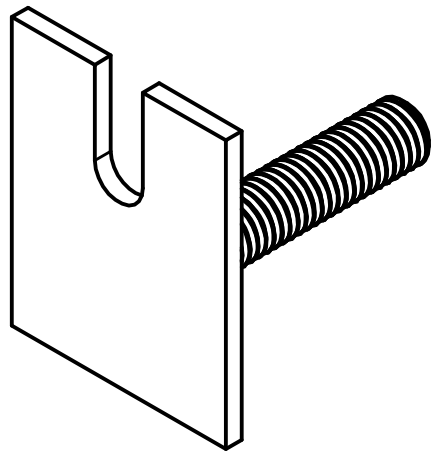
Shape B



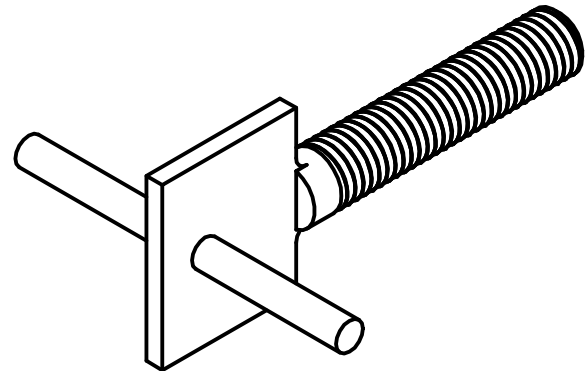
Shape C



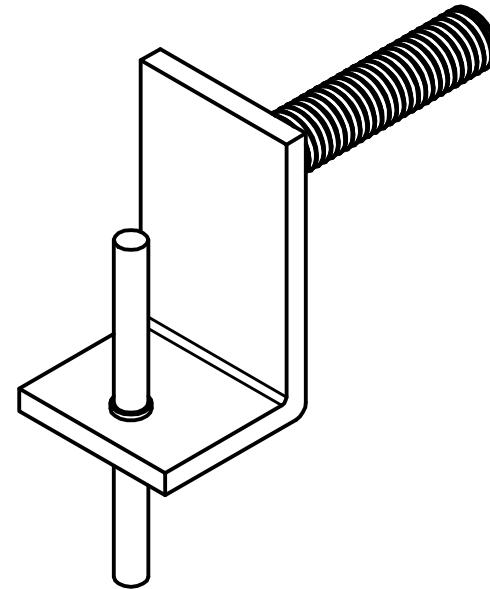
Shape D



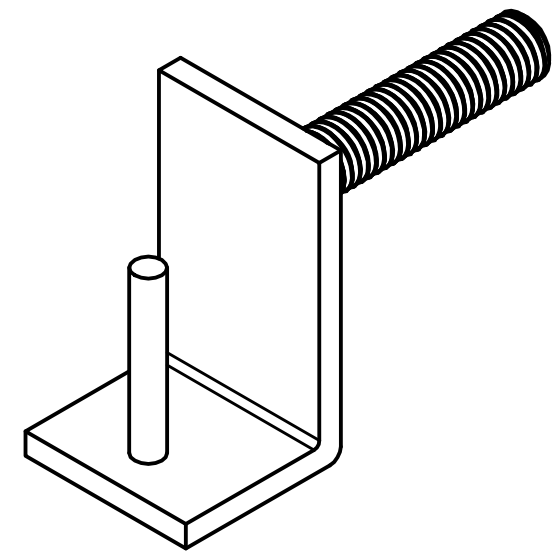
Shape E



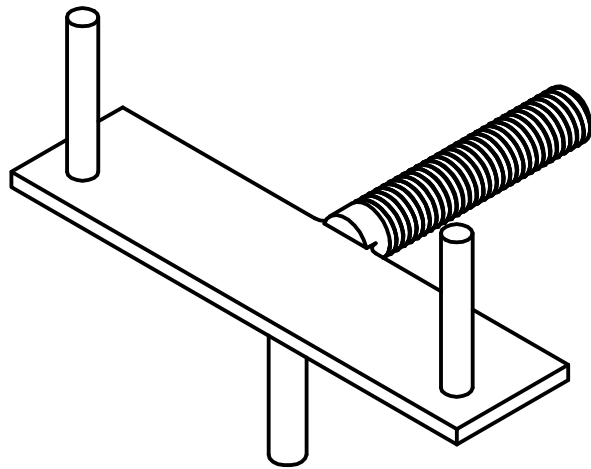
Shape F



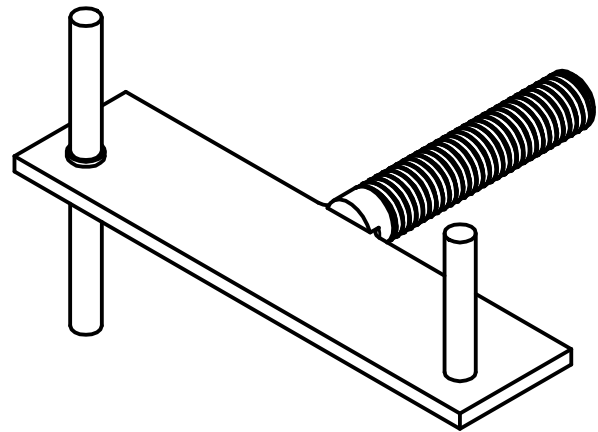
Shape G



Shape H

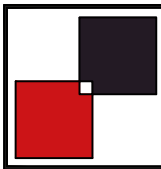


Shape J



Shape K

Not To Scale

Drawing by : MZM	Checked by : AEM	Approved by : Date :	Material : Stainless Steel Grade 316 to AISI/ASTM
 HAZ METAL FIXING SYSTEMS HAZ METAL Sanayi ve Ticaret A.S PO Box 241 31200 Iskenderun / Turkey Tel: +90 326 6262050 Faks: 6262045 info@hazmetal.com / www.hazmetal.com.			Title : Design Variations
			Product Code : AXO4 - 2409
Date : 5/14/2016	Sheet 4 / 4		
Last Modification :			