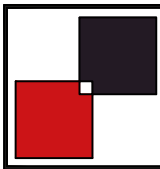
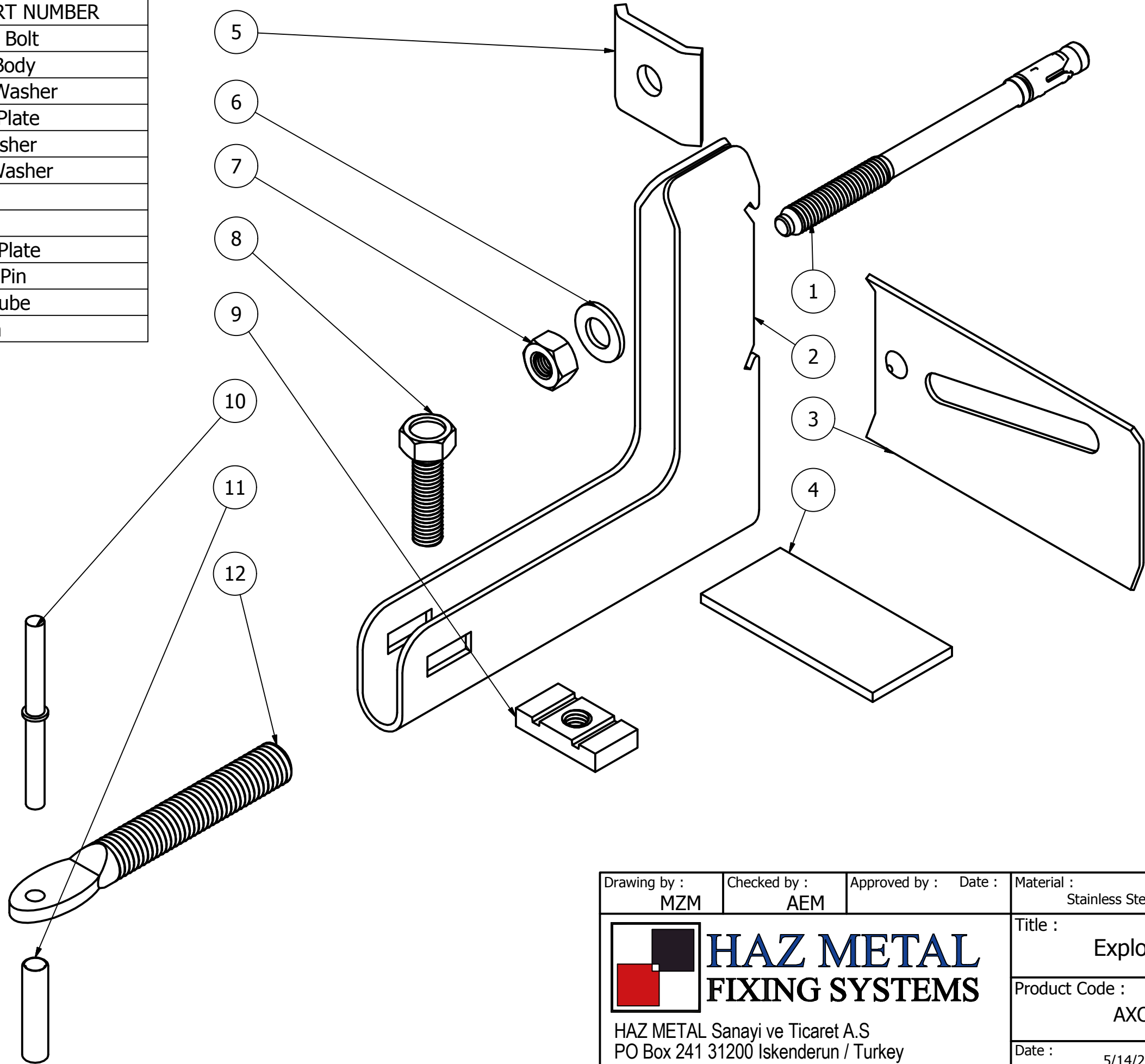


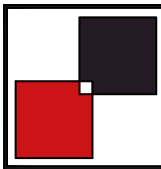
Not To Scale

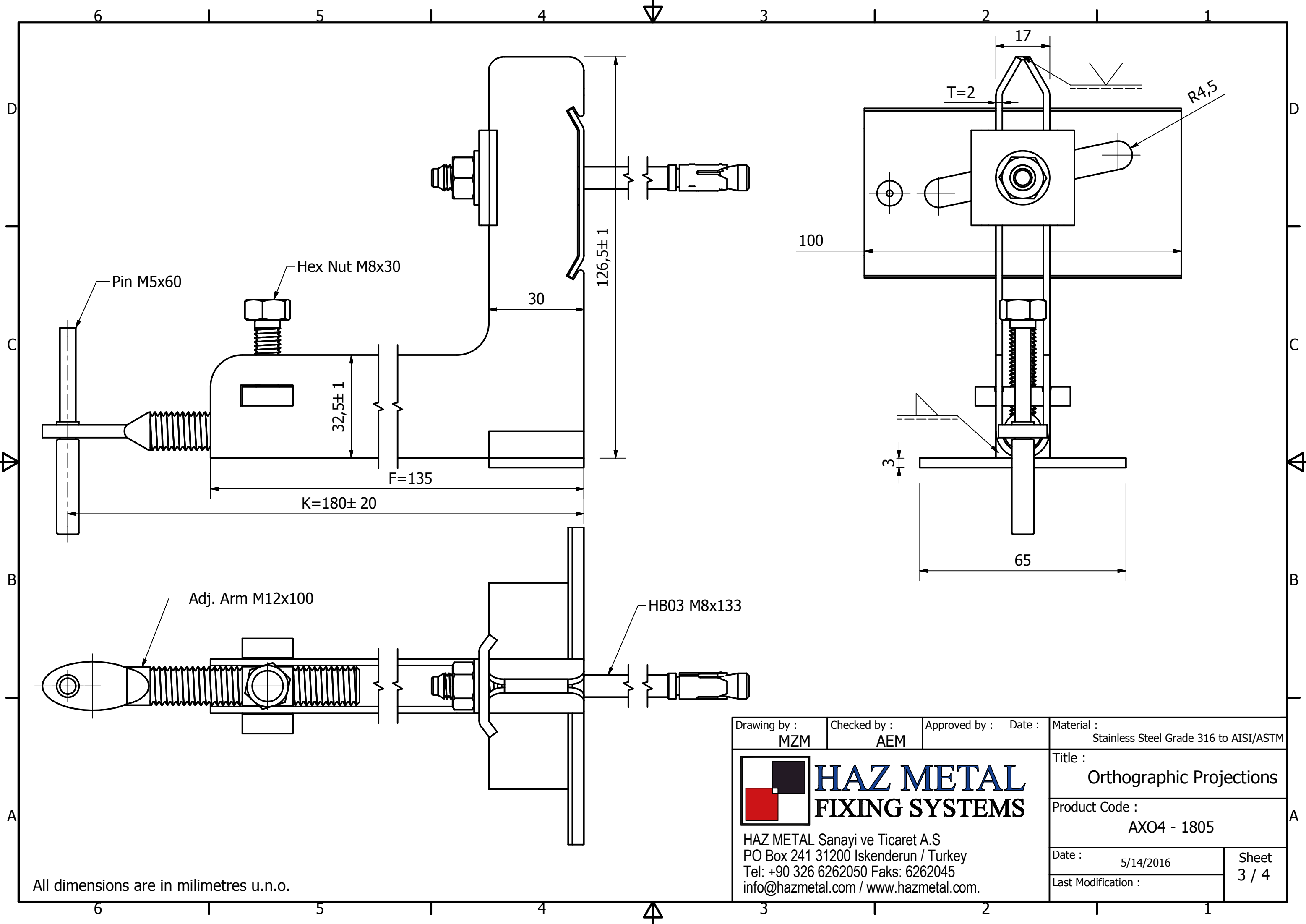
| | | | |
|-------------------------------------------------------------------------------------------------------------------------------------------------------------------------------------------------------------------------------------------------------------------------------------|---------------------|-------------------------|------------------------------------------------------|
| Drawing by : MZM | Checked by : AEM | Approved by : Date : | Material : Stainless Steel Grade 316 to AISI/ASTM |
|  HAZ METAL FIXING SYSTEMS HAZ METAL Sanayi ve Ticaret A.S PO Box 241 31200 Iskenderun / Turkey Tel: +90 326 6262050 Faks: 6262045 info@hazmetal.com / www.hazmetal.com. | | | Title : Isometric |
| | | | Product Code : AXO4 - 1805 |
| Date : 5/14/2016 | | Sheet 1 / 4 | |
| Last Modification : | | | |

PARTS LIST

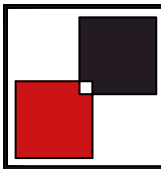
| ITEM | QTY | PART NUMBER |
|------|-----|---------------|
| 1 | 1 | Through Bolt |
| 2 | 1 | Anchor Body |
| 3 | 1 | Wedge Washer |
| 4 | 1 | Welded Plate |
| 5 | 1 | Lock Washer |
| 6 | 1 | Round Washer |
| 7 | 1 | Nut |
| 8 | 1 | Hex Nut |
| 9 | 1 | Locking Plate |
| 10 | 1 | Flanged Pin |
| 11 | 1 | Plastic Tube |
| 12 | 1 | Adj. Arm |

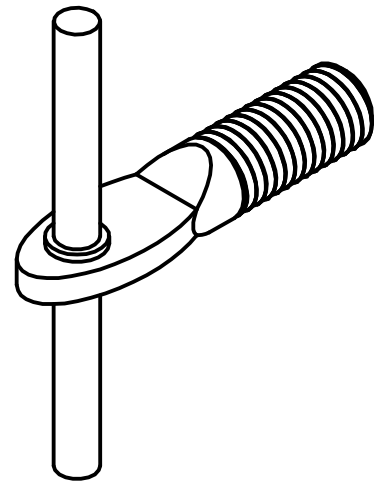


| | | | |
|--------------------------------------------------------------------------------------------------------------------------------------------------------|---------------------|-------------------------|------------------------------------------------------|
| Drawing by : MZM | Checked by : AEM | Approved by : Date : | Material : Stainless Steel Grade 316 to AISI/ASTM |
|  HAZ METAL FIXING SYSTEMS | | | Title : Explode Assembly |
| | | | Product Code : AXO4 - 1805 |
| HAZ METAL Sanayi ve Ticaret A.S PO Box 241 31200 Iskenderun / Turkey Tel: +90 326 6262050 Faks: 6262045 info@hazmetal.com / www.hazmetal.com. | | Date : 5/14/2016 | Sheet 2 / 4 |
| | | Last Modification : | |

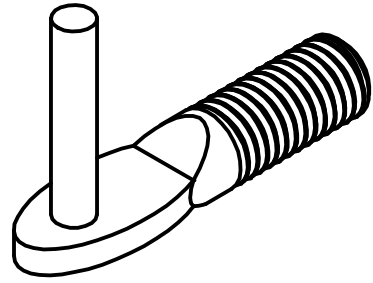


All dimensions are in millimetres u.n.o.

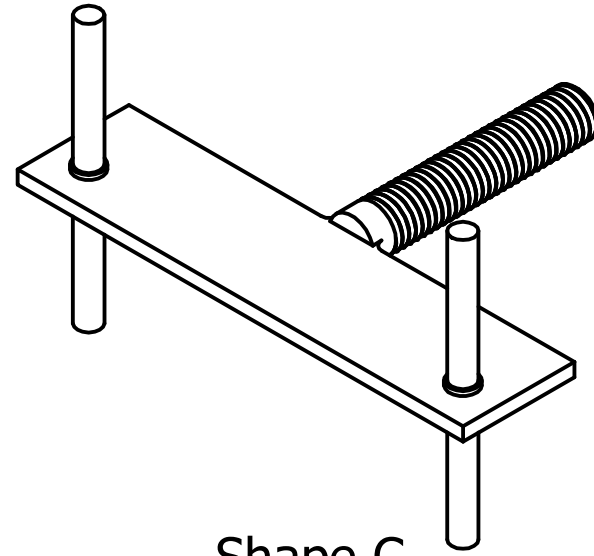
| | | | | |
|--------------------------------------------------------------------------------------------------------------------------------------------------------|---------------------|---------------|---------------------|------------------------------------------------------|
| Drawing by : MZM | Checked by : AEM | Approved by : | Date : | Material : Stainless Steel Grade 316 to AISI/ASTM |
|  HAZ METAL FIXING SYSTEMS | | | | Title : Orthographic Projections |
| | | | | Product Code : AXO4 - 1805 |
| HAZ METAL Sanayi ve Ticaret A.S PO Box 241 31200 Iskenderun / Turkey Tel: +90 326 6262050 Faks: 6262045 info@hazmetal.com / www.hazmetal.com. | | | Date : 5/14/2016 | Sheet 3 / 4 |
| | | | Last Modification : | |



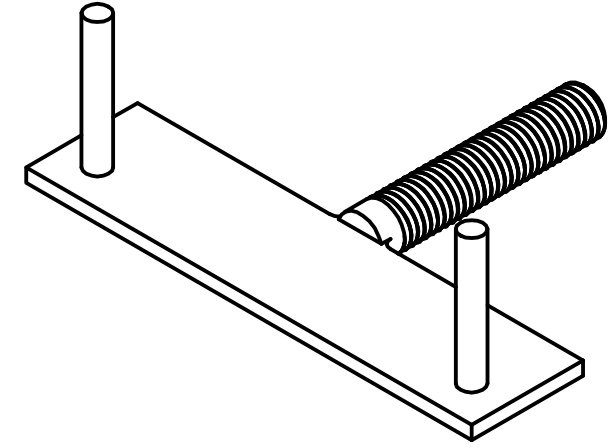
Shape A



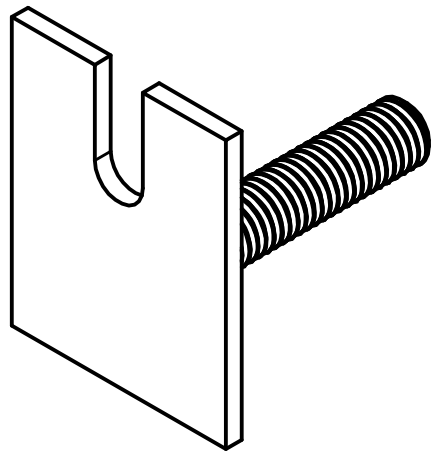
Shape B



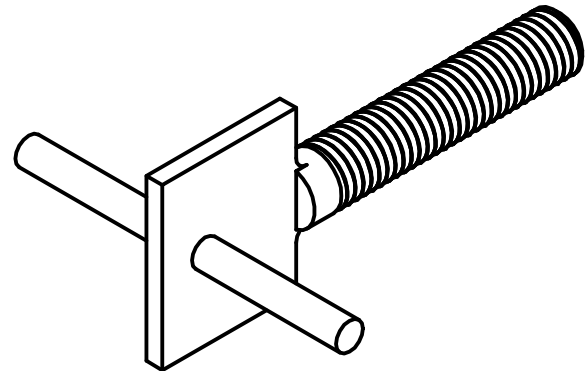
Shape C



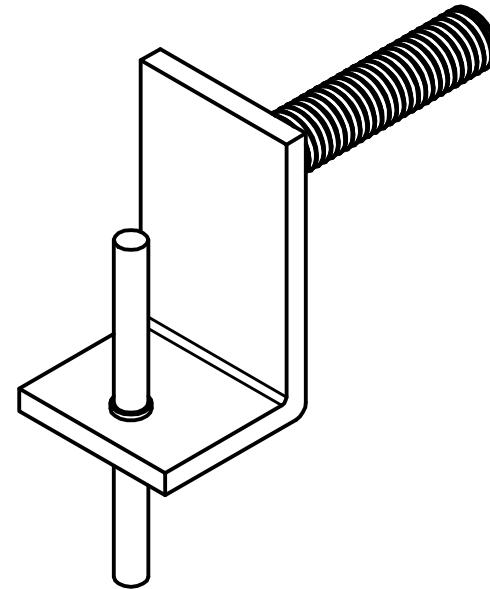
Shape D



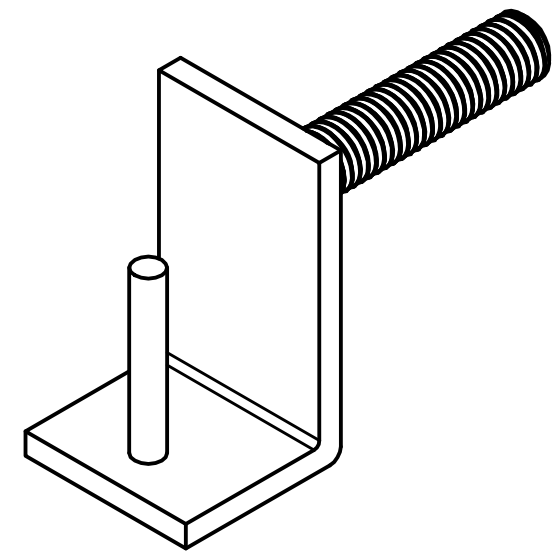
Shape E



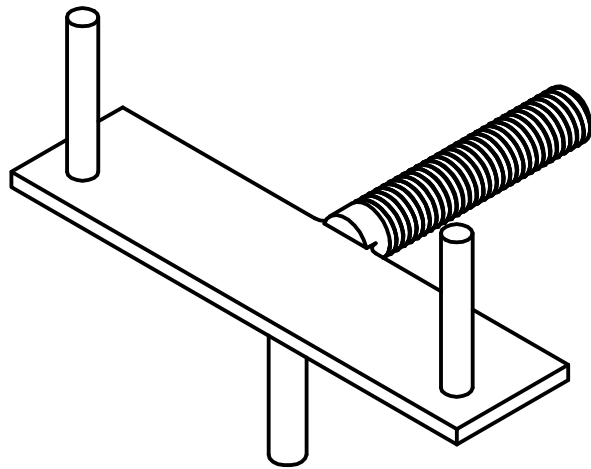
Shape F



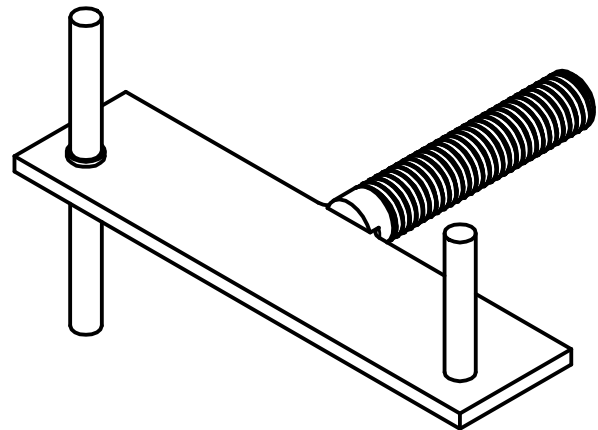
Shape G



Shape H

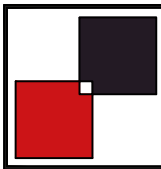


Shape J



Shape K

Not To Scale

| | | | |
|-------------------------------------------------------------------------------------------------------------------------------------------------------------------------------------------------------------------------------------------------------------------------------------|---------------------|-------------------------|------------------------------------------------------|
| Drawing by : MZM | Checked by : AEM | Approved by : Date : | Material : Stainless Steel Grade 316 to AISI/ASTM |
|  HAZ METAL FIXING SYSTEMS HAZ METAL Sanayi ve Ticaret A.S PO Box 241 31200 Iskenderun / Turkey Tel: +90 326 6262050 Faks: 6262045 info@hazmetal.com / www.hazmetal.com. | | | Title : Design Variations |
| | | | Product Code : AXO4 - 1805 |
| Date : 5/14/2016 | Sheet 4 / 4 | | |
| Last Modification : | | | |