

Fig.M2000 Stainless Steel Metering Station

FEATURES & BENEFITS

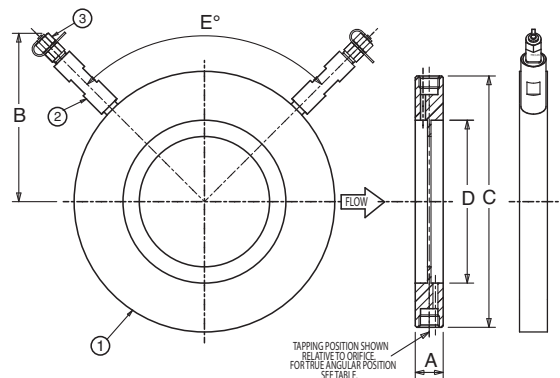
- Compact, wafer design for fitting in tight spaces
- Accurate flow measurement
- Supplied with red and blue test points for upstream and downstream port identification
- Used as a single unit or close coupled to other regulating or isolatory valves to provide accurate flow measurement



MATERIALS

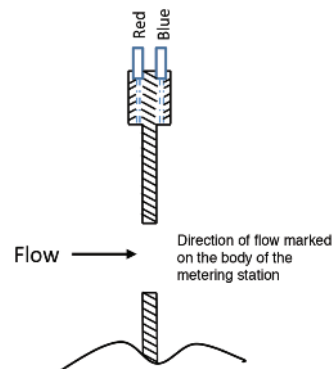
Component	Material	Specification
Body	Stainless Steel	10088-1 X2 CrNiNo17-12-2 A276-316L
Extensive Sleeve	Stainless Steel	10088-1 X2 CrNiNo17-12-2 A276-316L
Test Points	Fig. 631	

DIMENSIONAL DRAWINGS



DIMENSIONS & WEIGHTS

Size (DN)	A (mm)	B (mm)	C (mm)	D (mm)	E (mm)	Weight (kg)
65	20	123.5	129	68.8	90	1.5
80	20	129	144	80.8	90	1.8
100	20	134	164	105.1	90	2.2
125	20	146	194	130.1	90	2.6
150	20	159	220	156.1	90	3



PRESSURE RATING 16 bar **TEMPERATURE RATING** -10 to 120°C, Note: The Test Point Figure 631 has a maximum working pressure of 120°C. For higher temperature requirements contact Hattersley Sales Office.

TEST PRESSURE Shell: 24 bar

SPECIFICATION Kitemarked to BS 7350:1990. Outside diameter locates metering station centrally on the relevant BS EN 1092-2 PN16 flange bolting. Compatibility with other flanges available. Supplied complete with extensions and figure 631 test points. Use with figure M733DR to make Commissioning Set M2733.



PO BOX 719, IPSWICH, IP1 9DU
HOME SALES: +44 (0)1744 458670
EXPORT SALES: +44 (0)1744 458671
TECHNICAL HELPLINE: 0845 604 1790

FAX: +44 (0)1744 26912
EMAIL: uksales@hattersley.com
EMAIL: export@hattersley.com
www.hattersley.com

Every effort has been made to ensure that the information contained in this publication is accurate at the time of publishing. Hattersley assumes no responsibility or liability for typographical errors or omissions or for any misinterpretation of the information within the publication and reserves the right to change without notice.