

Fig. 1200DR Bronze Double Regulating Valves



FEATURES & BENEFITS

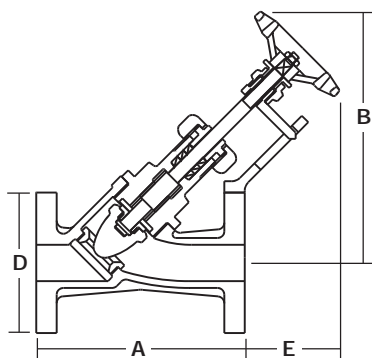
- Provides precise and accurate flow regulation
- Easy to operate with handwheel
- Robust bronze body for long service life
- Suitable for high pressure applications



MATERIAL SPECIFICATION

Component	Material	Specification	
		BS EN	ASTM
Stem	Manganese Bronze	12164 CW721R	
Gland Packing	Asbestos Free	-	
Bonnet	Bronze	1982 CC491K	B62
Swivel Nut	Manganese Bronze	12164 CW721R	
Disc	Stainless Steel	-	
Seat	Stainless Steel	-	
Body	Bronze	1982 CC491K	B62

DIMENSIONAL DRAWING



DIMENSIONS & WEIGHTS

Nom Size	mm	15	20	25	32	40	50
A	mm	133	146	162	184	200	238
B (Open)	mm	168	187	213	238	267	306
D	mm	95	105	115	140	150	165
E (Open)	mm	64	79	92	98	117	121
Weight	kg	2.5	3.5	4.9	7.5	10	14

PRESSURE/TEMPERATURE RATING

BS 5154 PN40 Series A
34 bar at 180°C
40 bar from -10 to 120°C

TEST PRESSURES

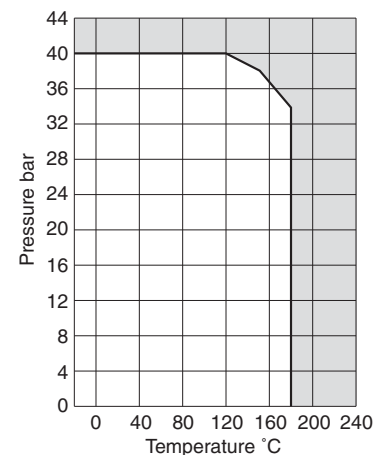
Shell: 60 bar
Seat: 44 bar

SPECIFICATION

Conforms to BS 7350:1990.
Rising stem.
Screwed bonnet.
Flanged to BS EN 1092-3 PN40.
Fitted with parabolic regulating disc in Stainless Steel, double regulating device and indicator.
Flow charts available.



Use with Figure M4000 to make Commissioning Set 5200.



For Commissioning Valve Coefficients please refer to pages 45-47.

Every effort has been made to ensure that the information contained in this publication is accurate at the time of publishing. Hattersley Ltd assumes no responsibility or liability for typographical errors or omissions or for any misinterpretation of the information within the publication and reserves the right to change without notice.

0813_V3