

Fig.108C Service Ball Valve



FEATURES & BENEFITS

- Light, compact and easy to install and operate
- WRAS approved for use on wholesome (potable) water
- Compression ends to BS EN 1254-2 for use with BS EN 1057 R250
- Chrome plated finish
- Handle can be removed to allow for screwdriver operation

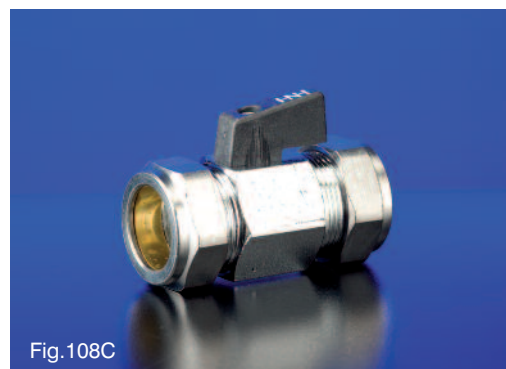
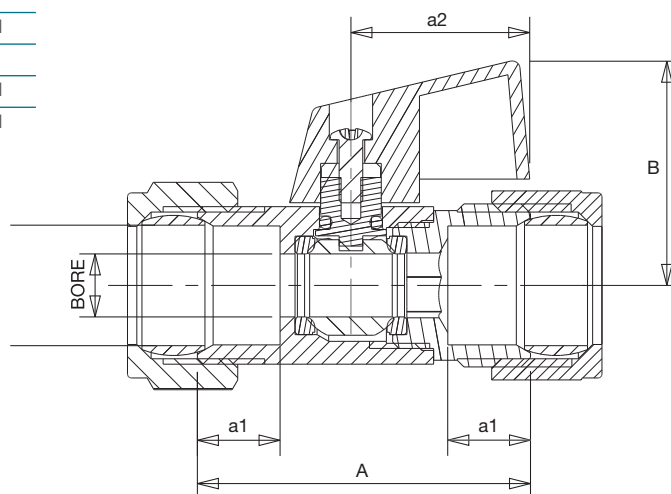


Fig.108C

MATERIALS

Component	Material	Specification
Screw	Steel Dacromet Plated	
Handle	Nylon (Ral 9017)	304
Stem	DZR Brass	Chromium Plated
O-Ring	EPDM	WRAS Approved
Nut	DZR Brass	CW602N Chromium Plated
Olive	Brass	CW507L
Body	DZR Brass	CW602N Chromium Plated
PTFE Seat	PTFE	WRAS Approved
Ball	DZR Brass	CW602N Chromium Plated
Seat Retainer	DZR Brass	CW602N Chromium Plated

DIMENSIONAL DRAWING



DIMENSIONS & WEIGHTS

Size (mm)	Bore (mm)	A (mm)	a1 (mm)	a2 (mm)	B (mm)	Weight (kg)
15	ø8	42	11	23	29	12
22	ø14	53	13	23	34	260

Temperature (°C)	-10 to 30	65	110	120
Pressure (bar)	16	10	6	5

PRESSURE RATING 16 bar **TEMPERATURE RATING** -10 to 30°C, 5 bar at 120°C

OPERATOR Handle (The handle can be removed to allow for screwdriver operation)

SPECIFICATION Compression ends to BS EN 1254-2 for use with BS EN 1057 R250 (half-hard) copper tube.



PO BOX 719, IPSWICH, IP1 9DU
HOME SALES: +44 (0)1744 458670
EXPORT SALES: +44 (0)1744 458671
TECHNICAL HELPLINE: 0845 604 1790

FAX: +44 (0)1744 26912
EMAIL: uksales@hattersley.com
EMAIL: export@hattersley.com
www.hattersley.com

Every effort has been made to ensure that the information contained in this publication is accurate at the time of publishing. Hattersley assumes no responsibility or liability for typographical errors or omissions or for any misinterpretation of the information within the publication and reserves the right to change without notice.