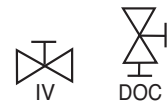


Fig. 107HU
Brass with Male Union



FEATURES & BENEFITS

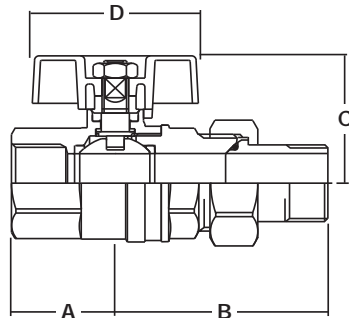
- Dezincification resistant copper alloy ball valve
- PTFE seats and seals
- Blow-out proof stem
- Fitted with hose union and captive cap
- Lockshield operation
- Ends threaded to BS EN 10266 (ISO 7)
- Sizes 1/2" and 3/4"



MATERIAL SPECIFICATION

Component	Material	Specification	
		BS EN	ASTM
T-Handle	Aluminium		
Stem	Brass	12164 CW617N	B124 Alloy 2
Stem Seals	PTFE		
Ball (hard chrome plated)	Brass	12164 CW617N	B124 Alloy 2
Seat Rings	Virgin PTFE		
Tail	Brass	12165 CW617N	B124 Alloy 2
Tail O-Ring	Nitrile		
Union Nut	Brass	12165 CW617N	B124 Alloy 2
Body End	Brass	12165 CW617N	B124 Alloy 2
Body	Brass	12165 CW617N	B124 Alloy 2

DIMENSIONAL DRAWING



DIMENSIONS & WEIGHTS

Nom Size	in	1/2	3/4
A	mm	25	29
B	mm	59	68
C	mm	33	43
D	mm	47	56
Weight	kg	0.28	0.48

PRESSURE/ TEMPERATURE RATING

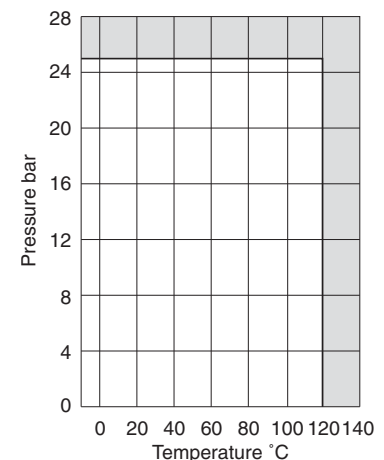
25 bar from -10 to 120°C

TEST PRESSURES

25 bar pneumatic

SPECIFICATION

Nickel plated body.
Blow-out proof stem.
Full bore hard chrome plated ball.
Virgin PTFE seats and stem seal T-Handle.
Union nut with male tail threaded BS EN 10266 (ISO 7).
Internal threaded end to BS EN 2779 (ISO 228/1).



0813_V3 Every effort has been made to ensure that the information contained in this publication is accurate at the time of publishing. Hattersley Ltd assumes no responsibility or liability for typographical errors or omissions or for any misinterpretation of the information within the publication and reserves the right to change without notice.