



### HC2010DC Bollard Product Specifications:

- Stainless steel bollard with cast stainless steel collar & cap.
- The contrasting colour top pipe can be 50/100/150mm high (*this is powder coated and not a sticker*).
- 316 grade stainless steel.
- Pipe is 114mm dia with a 3mm thickness
- 900mm overground level and 300mm underground level.
- Powder coat finish, as we manufacture all our products in house we can arrange any colour combination you require, see our colour palette section on page 109.
- Fixed and removable versions with retention socket available.
- DDA compliant for visually impaired.

**Fitting:** Fixed bollard is fixed underground level in concrete, removable bollard comes complete with stainless steel flip lid retention socket.

### Concrete Foundations:

*Fixed Bollard:* 500 x 500 x 300mm.  
*Removable Bollard:* 500 x 500 x 300mm (hardcore for drainage is recommended under the socket before the concrete).

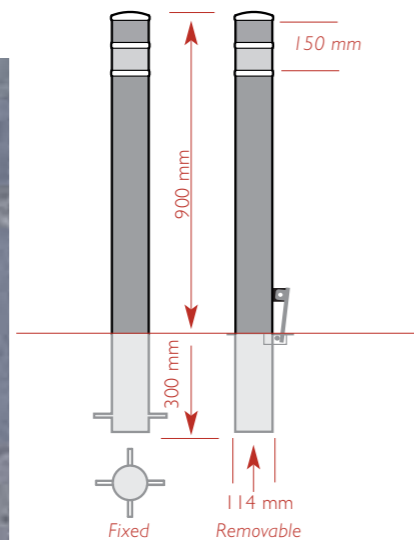
### Options Available:

- Stainless steel flip lid socket or flush socket available.
- Ram Raid.
- Other lengths available on request.

### Specifications:

Pipe (Dia)	114 mm
Wall Thickness	3 mm
Overground	900 mm
Underground	300 mm

### HC2010DC Bollard with Double Collar



Stainless steel flush socket.



Stainless steel flip lid socket.



### HC2011 Bollard with 50 mm Top

### HC2011 Bollard Product Specifications:

- Stainless steel bollard with cast stainless steel collar & cap.
- The contrasting colour top pipe can be 50/100/150mm high (*this is powder coated and not a sticker*).
- 316 grade stainless steel.
- Pipe is 114mm dia with a 3mm thickness
- 900mm overground level and 300mm underground level.
- Main pipe is brushed finish, top pipe is powder coat finish, as we manufacture all our products in house we can arrange any colour combination you require, see our colour palette section on page 109.
- Fixed and removable versions with retention socket available.
- DDA compliant for visually impaired.

**Fitting:** Fixed bollard is fixed underground level in concrete, removable bollard comes complete with stainless steel flip lid retention socket.

### Concrete Foundations:

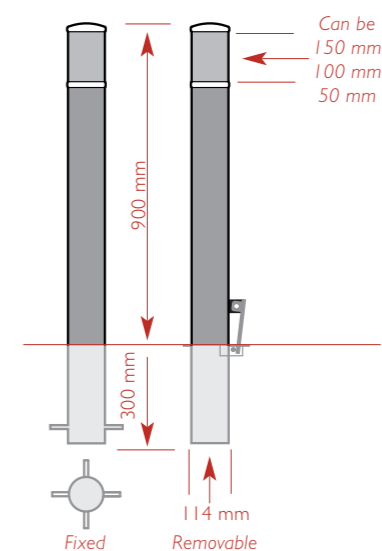
*Fixed Bollard:* 500 x 500 x 300mm.  
*Removable Bollard:* 500 x 500 x 300mm (hardcore for drainage is recommended under the socket before the concrete).

### Options Available:

- Stainless steel flip lid socket or flush socket available.
- Ram Raid.
- Other lengths available on request.

### Specifications:

Pipe (Dia)	114 mm
Wall Thickness	3 mm
Overground	900 mm
Underground	300 mm



Stainless steel flush socket.



Stainless steel flip lid socket.