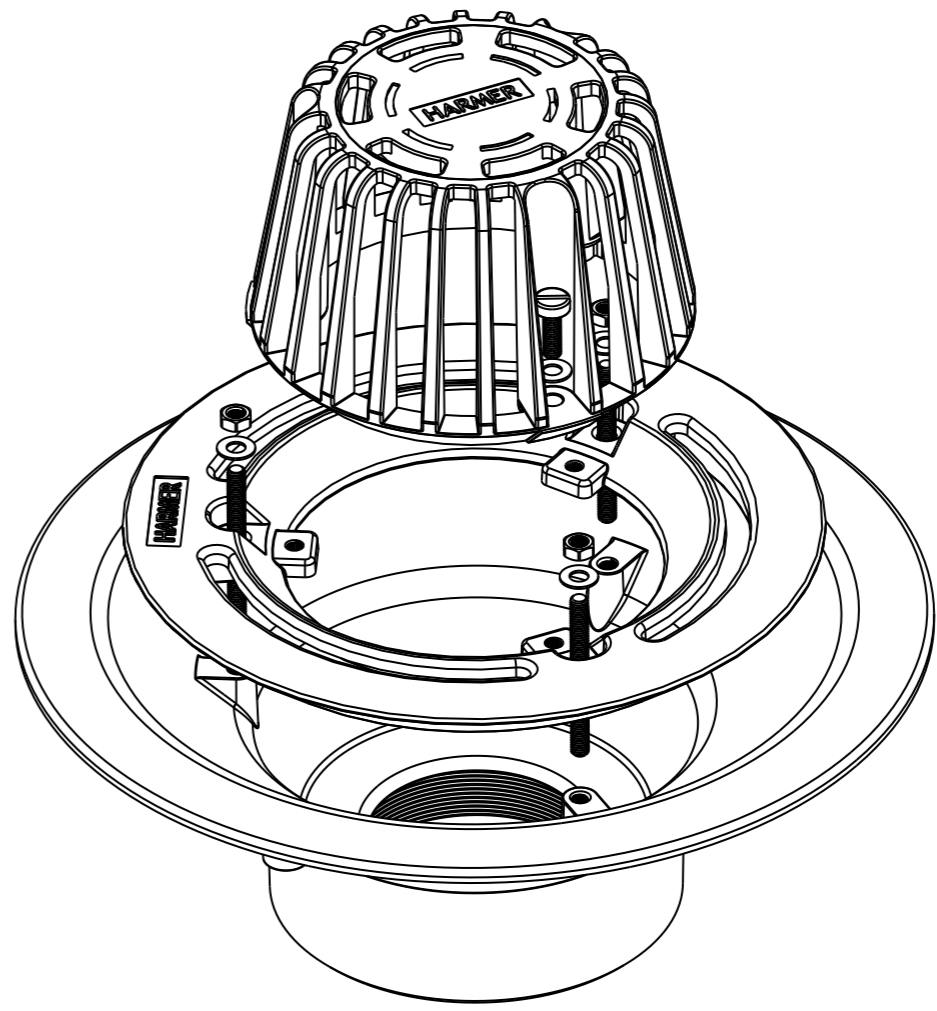


SECTION A-A



ALUMASC EXTERIOR BUILDING PRODUCTS LTD
 White House Works, Bold Road, Sutton
 St Helens, Merseyside, WA9 4JG, UK
 Telephone: +44 (0) 1744 648400
 Facsimile: +44 (0) 1744 648401
 Website: www.harmerdrainage.co.uk
 E-mail: technical@alumasc-exteriors.co.uk

Drawing title: Harmer Roof Cast Iron Range Large Sump Vertical Threaded Outlet - 4" BSP Domical Grate <small>Detail is valid only when approved by the Architect / Contractor concerned</small>	
Drawing No: C400LT	Scale: NTS.
Revision:	Date: 04/07/2012

© Copyright reserved

Note: This Drawing is intended to illustrate the correct application of Alumasc products only. All other elements are shown indicatively and it is not the intention to detail building construction.