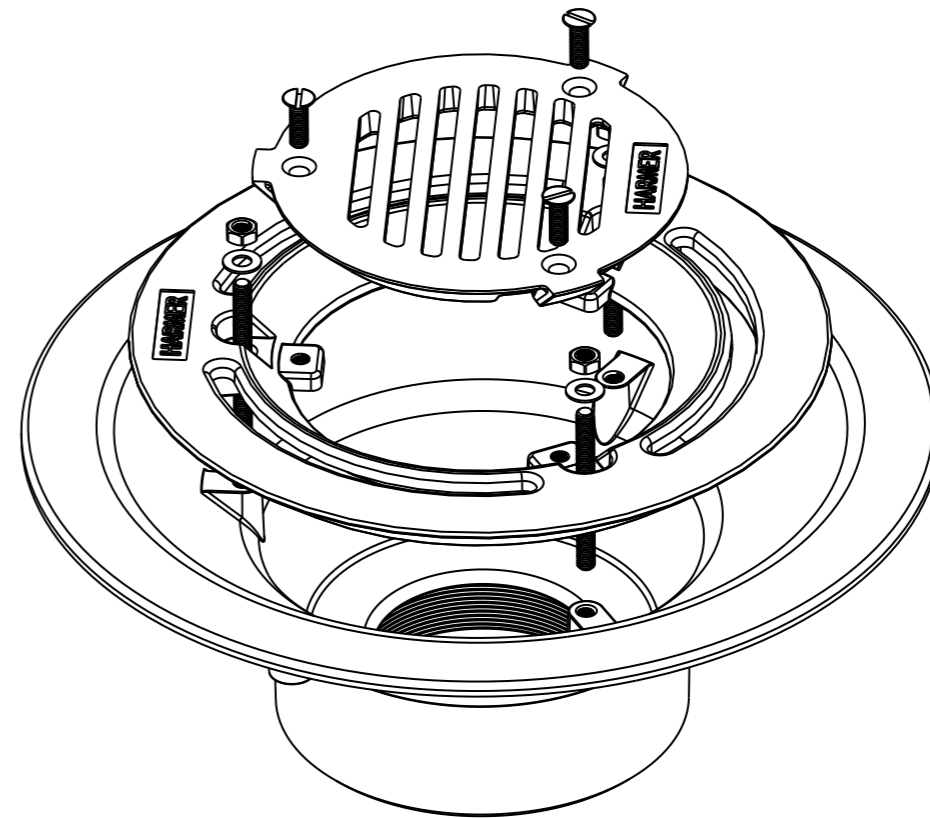


SECTION A-A



ALUMASC EXTERIOR BUILDING PRODUCTS LTD

White House Works, Bold Road, Sutton
St Helens, Merseyside, WA9 4JG, UK

Telephone: +44 (0) 1744 648400
Facsimile: +44 (0) 1744 648401

Website: www.harmerdrainage.co.uk
E-mail: technical@alumasc-exteriors.co.uk

Drawing title:
Harmer Roof Cast Iron Range
Large Sump
Vertical Threaded Outlet - 4" BSP
Flat Grate
Detail is valid only when approved by the Architect / Contractor concerned

Drawing No:
C400LT/F

Scale:
NTS.

Revision:

Date:
04/07/2012

© Copyright reserved

Note: This Drawing is intended to illustrate the correct application of Alumasc products only. All other elements are shown indicatively and it is not the intention to detail building construction.