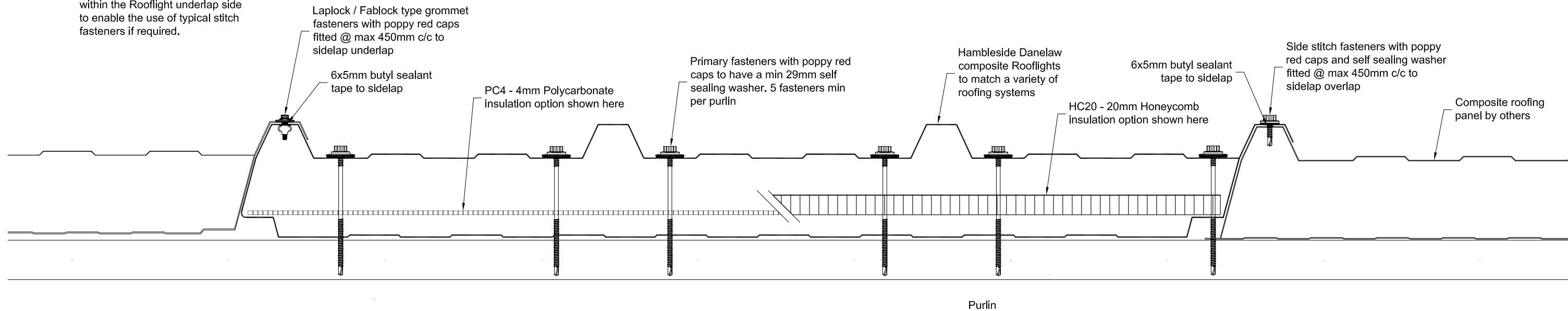
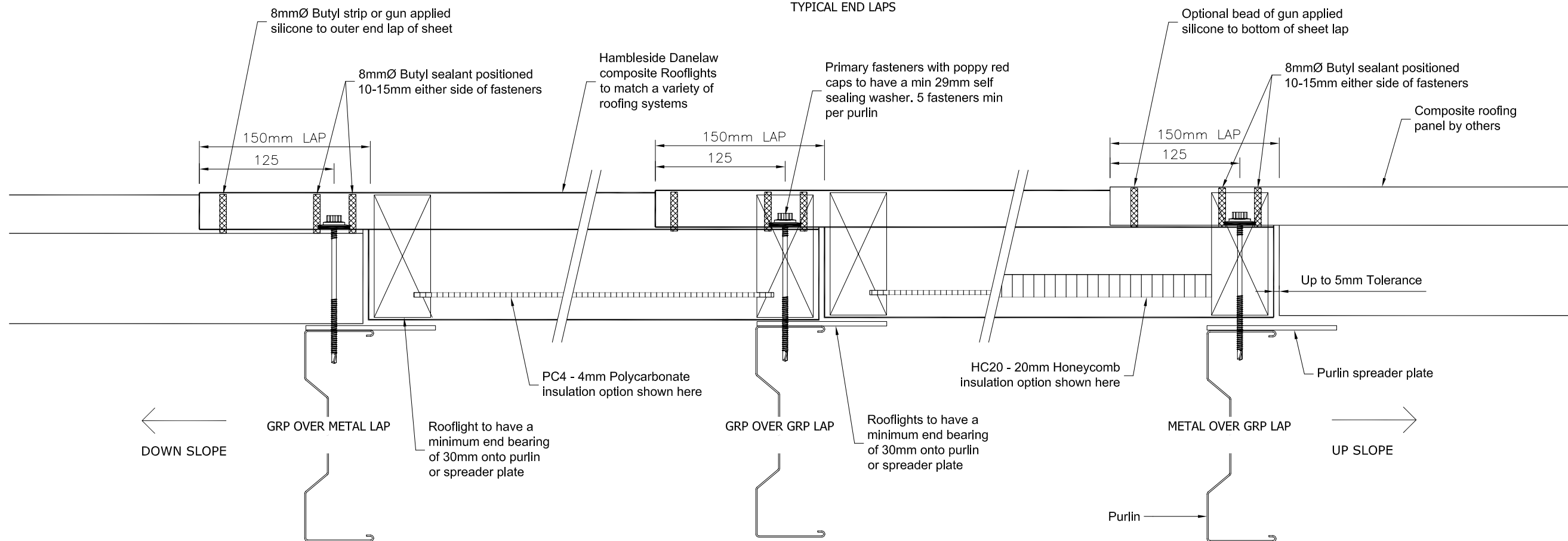


HAMBLESIDE DANELAW FACTORY ASSEMBLED INSULATED ROOFLIGHT
TYPICAL CROSS SECTION


OPTION
A metal strip can be incorporated within the Rooflight underlap side to enable the use of typical stitch fasteners if required.



HAMBLESIDE DANELAW FACTORY ASSEMBLED INSULATED ROOFLIGHT
TYPICAL END LAPS



For further guidance on the sealing of Rooflights please refer to MCRMA Technical paper 16

CLIENT	
PROJECT Typical Details	
SCALE 1:4 @ A3	DATE 01.10.2013
DRAWING TITLE Factory Assembled Insulated Rooflights - Typical Details	
DRAWING NUMBER FAIR-TD	
Hambleside Danelaw Ltd	
T 01327 701900	
F 01327 701909	
W www.hambleside-danelaw.co.uk	
A Long March, Daventry, NN11 4NR	