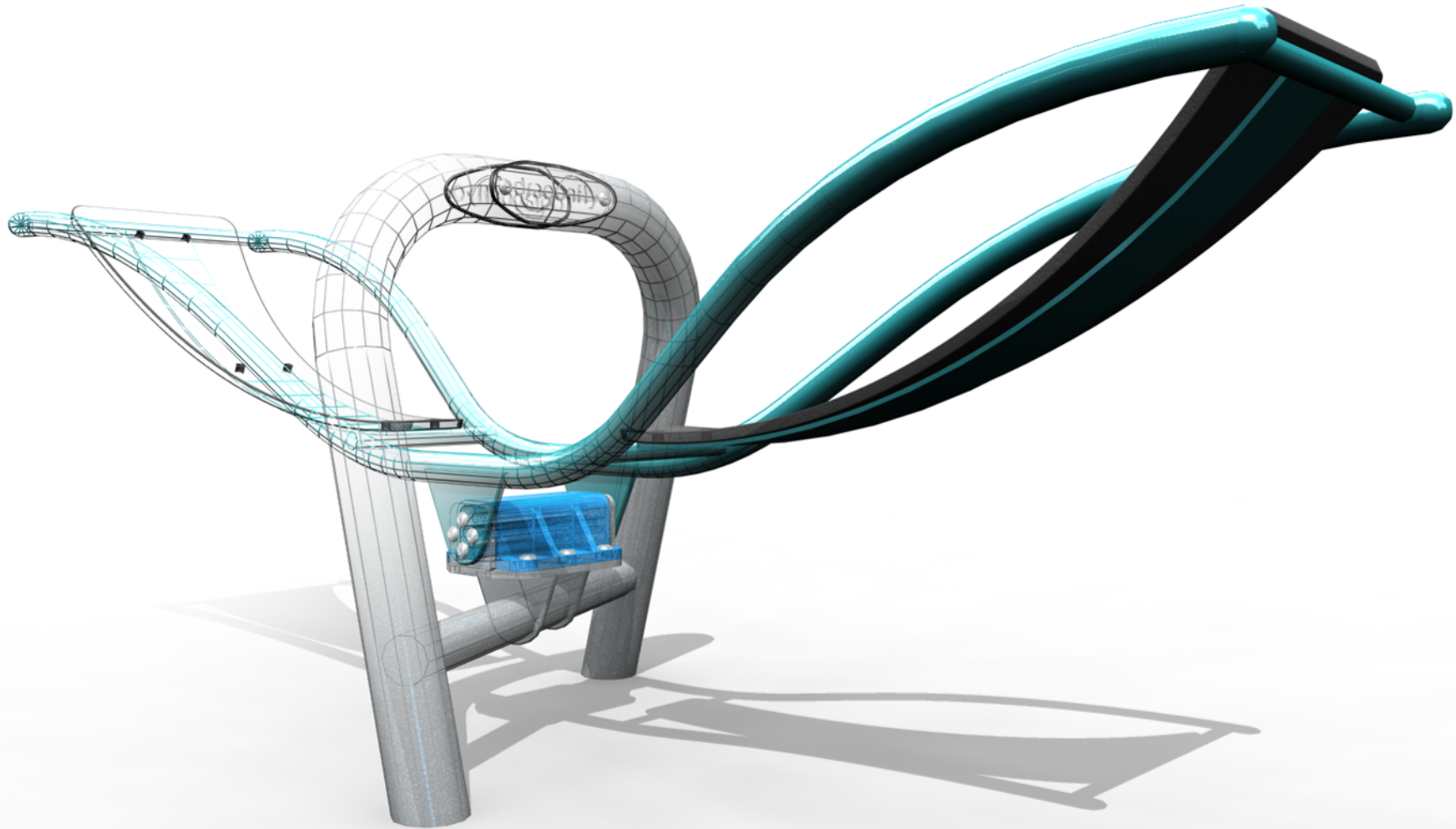


HAGS

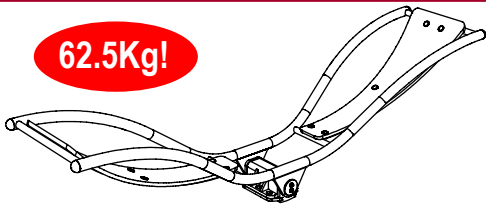
dragonfly



© Playpower Inc 2010

1

62.5Kg!

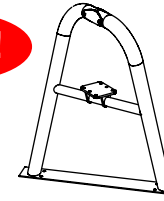


502100
1 No
Assembled Top



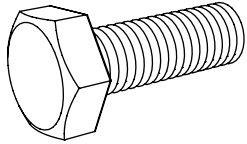
2

40.6Kg!



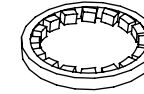
502101
1 No
Assembled Base

3



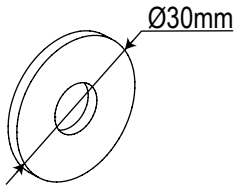
10231030
6 No
M10 x 30 Bolt

4



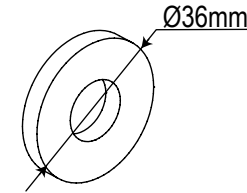
10391000
6 No
M10 Shakeproof Washer

5



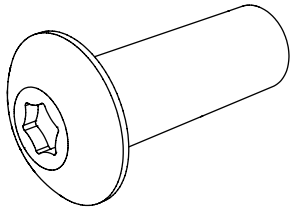
10309999
6 No
Large M10 Washer

6



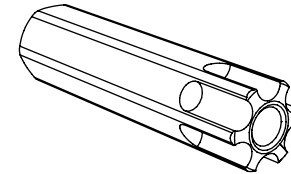
10291400
6 No
Washer

7



10301005
6 No
M10 x 40 Barrel bolt

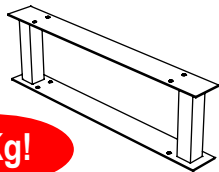
8



950100
1 No
M10 Resistorx Fixing Tool

9

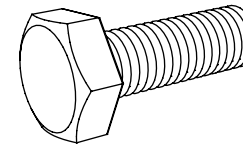
21Kg!



502202
1 No
Extension Unit

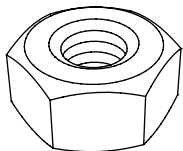


10



10231030
4 No
M10 x 30 Bolt

11



10271000
4 No
M10 Plain Nut

LxWxH (m)
2.19 x 0.76 x 0.79

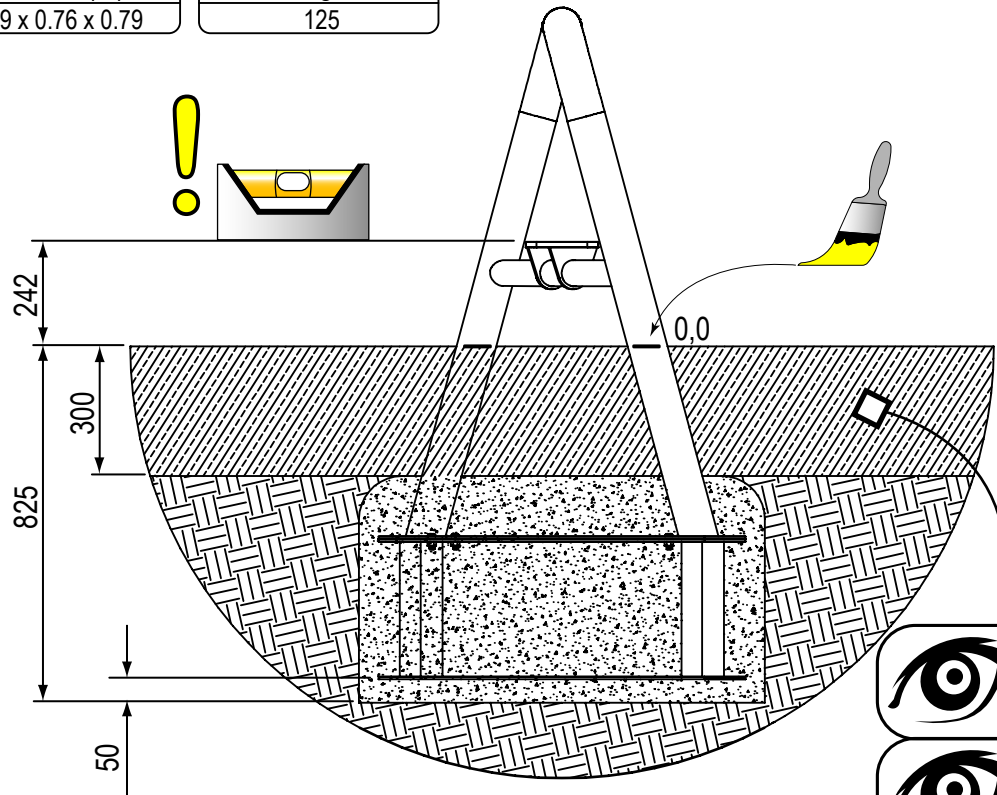
kg
125

m³
0.47

m²
10 x 10

EN1176
H=1.1m

x2
3hr



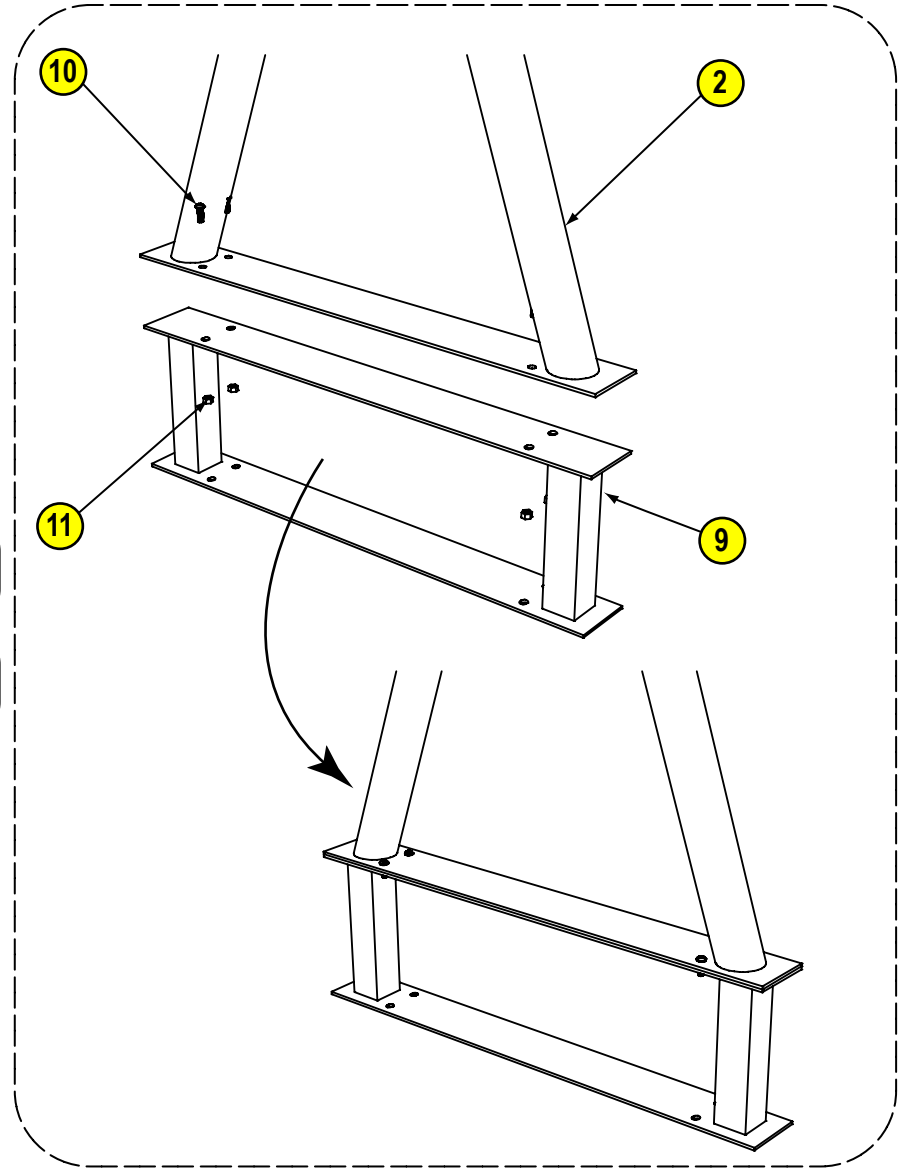
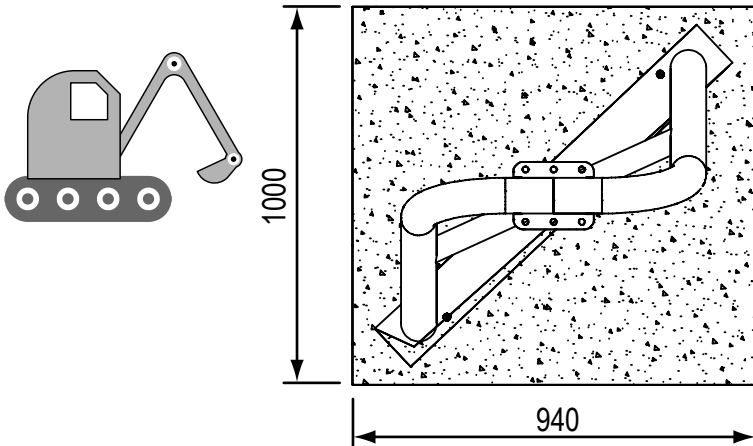
144
TYPE 1

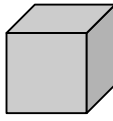
144
TYPE 2

S2 (50mm)
≥C20-25

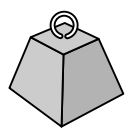
7 x 24h

101






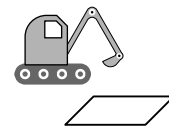
LxWxH (m)
2.19 x 0.76 x 0.79



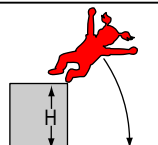
kg
104




m³
0.47



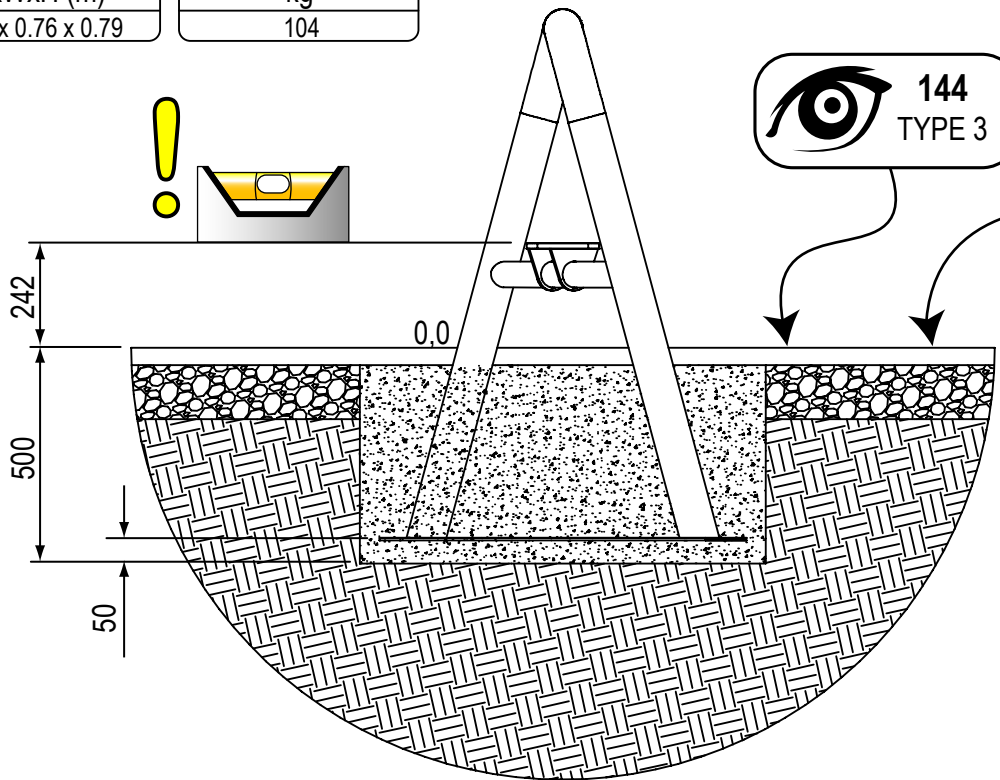
m²
10 x 10



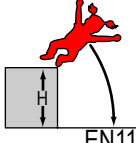
EN1176
H=1.1m



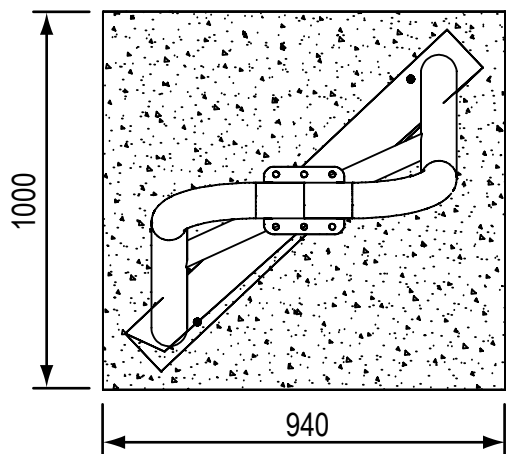
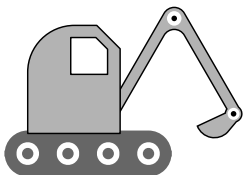
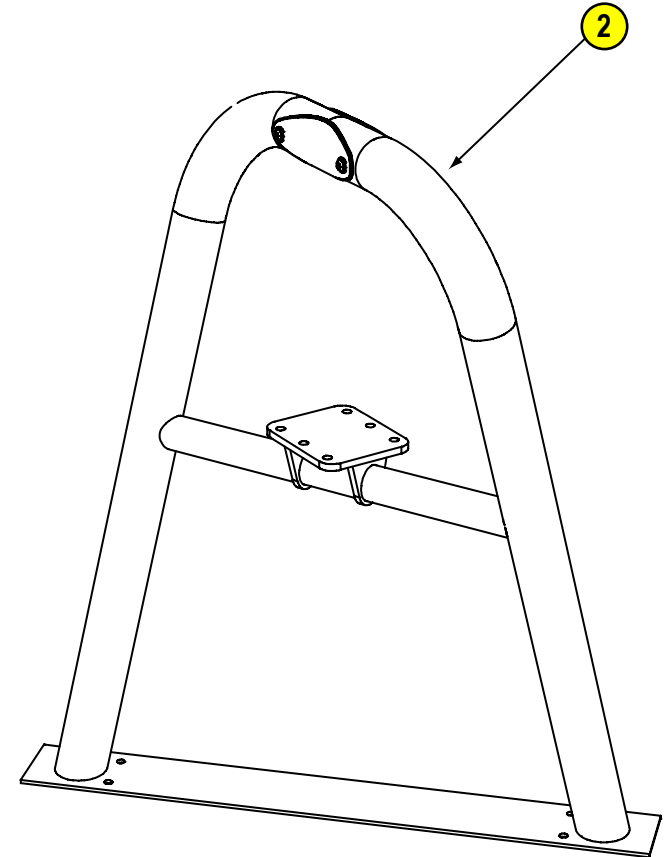
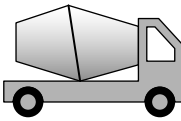
x2
3hr



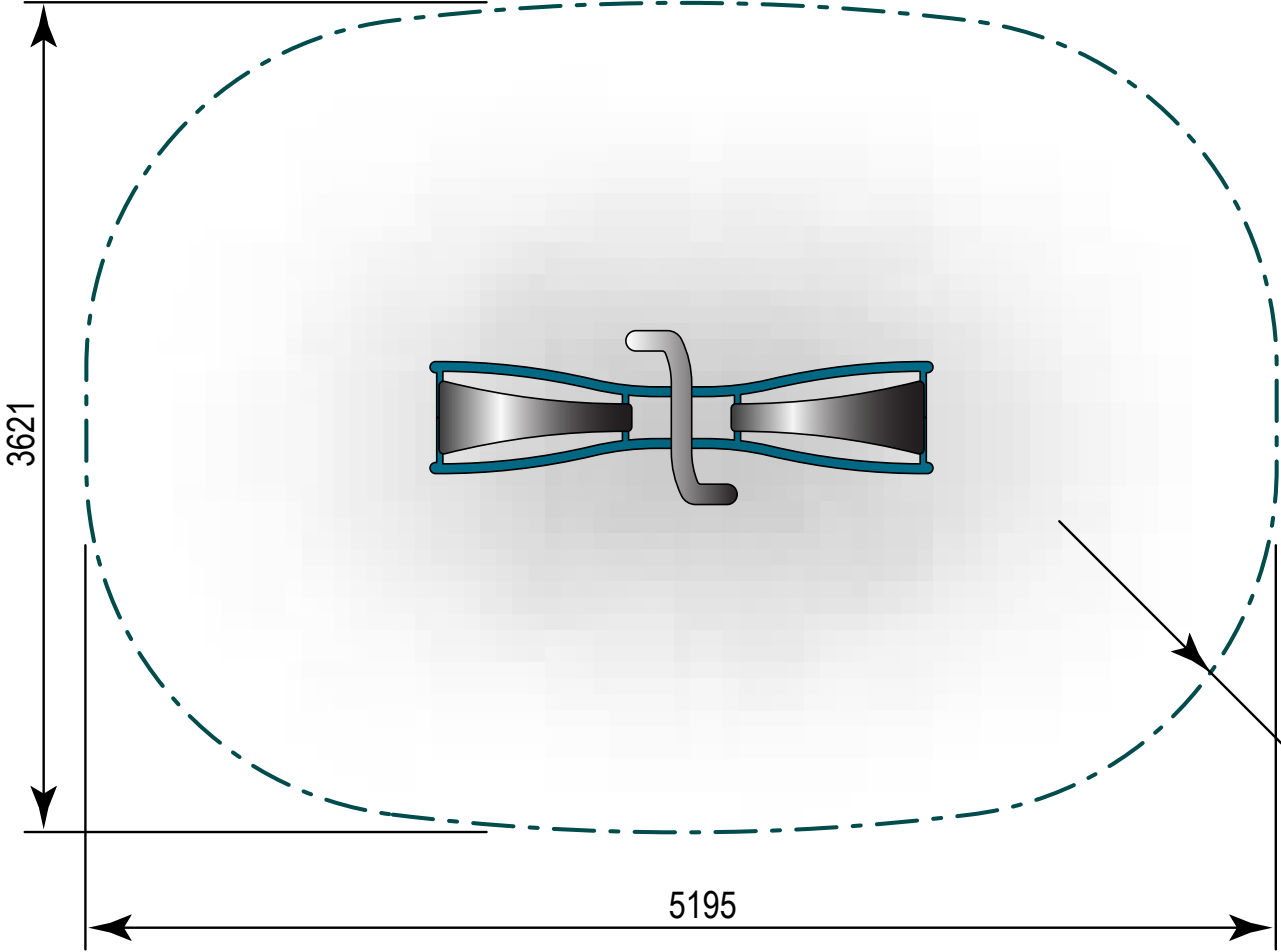
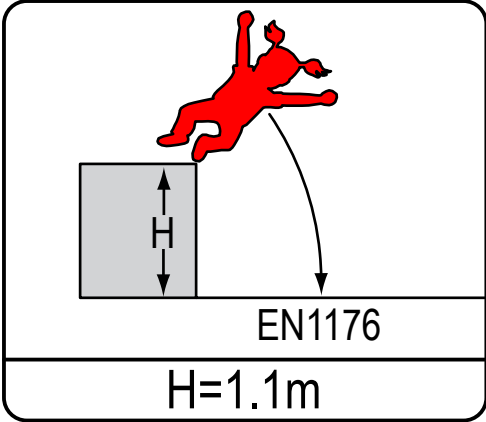

144
TYPE 3

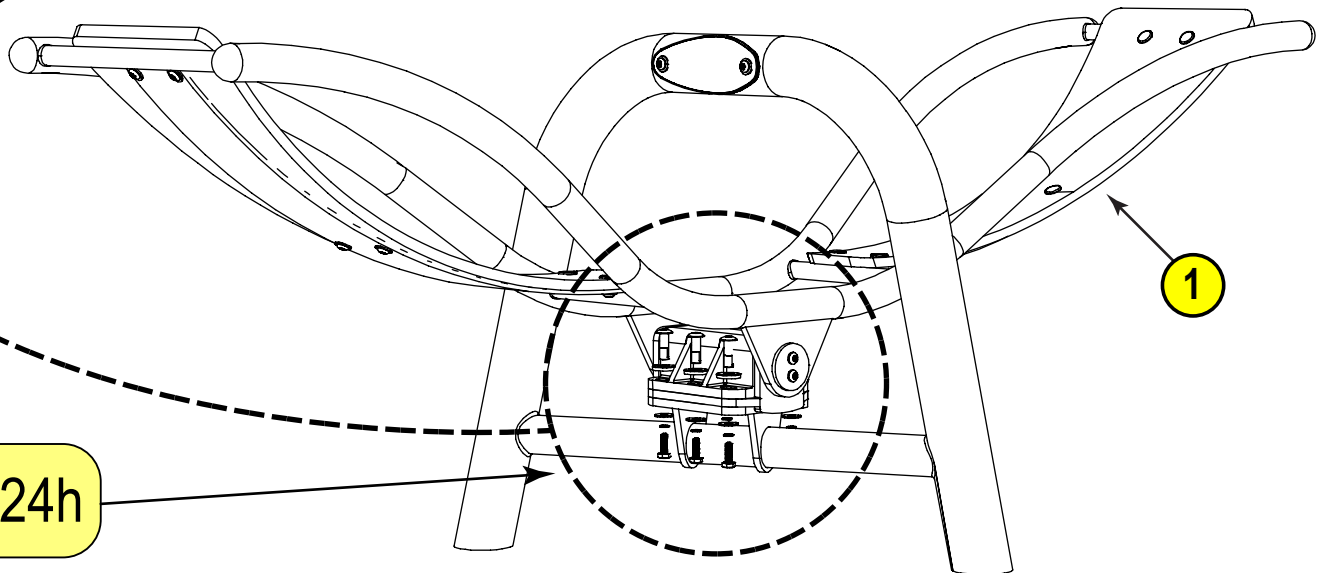
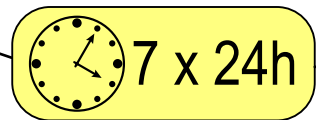
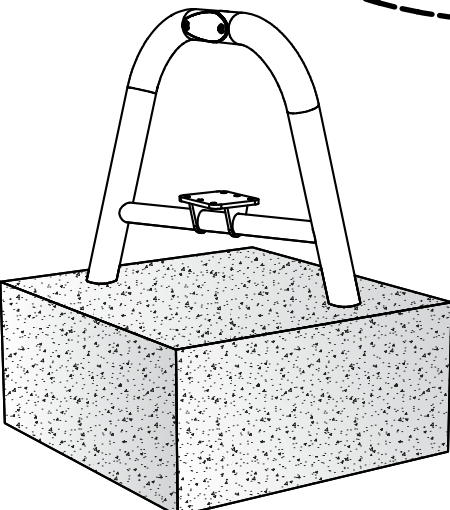
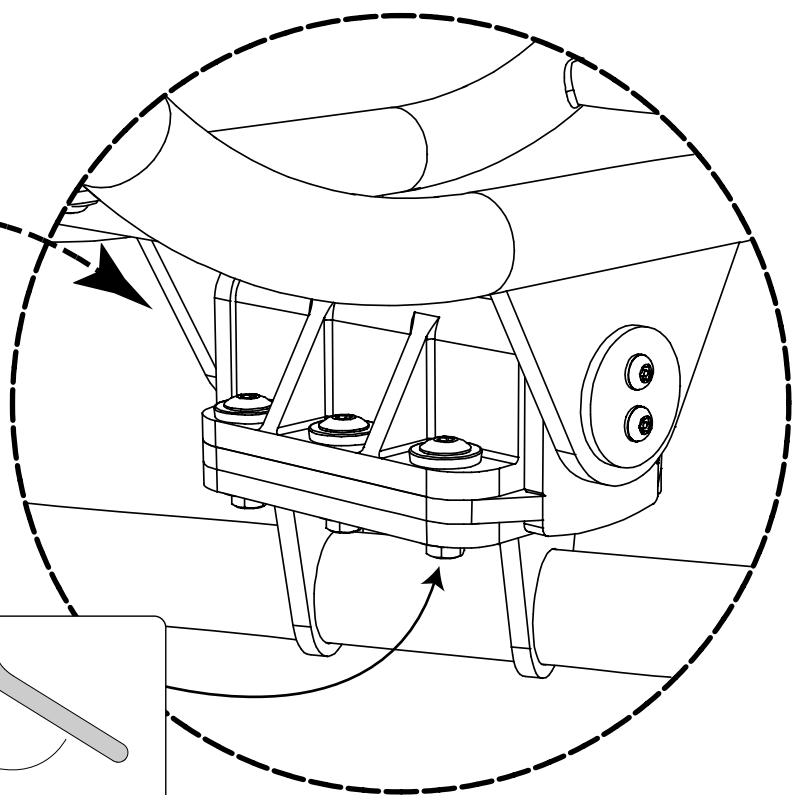
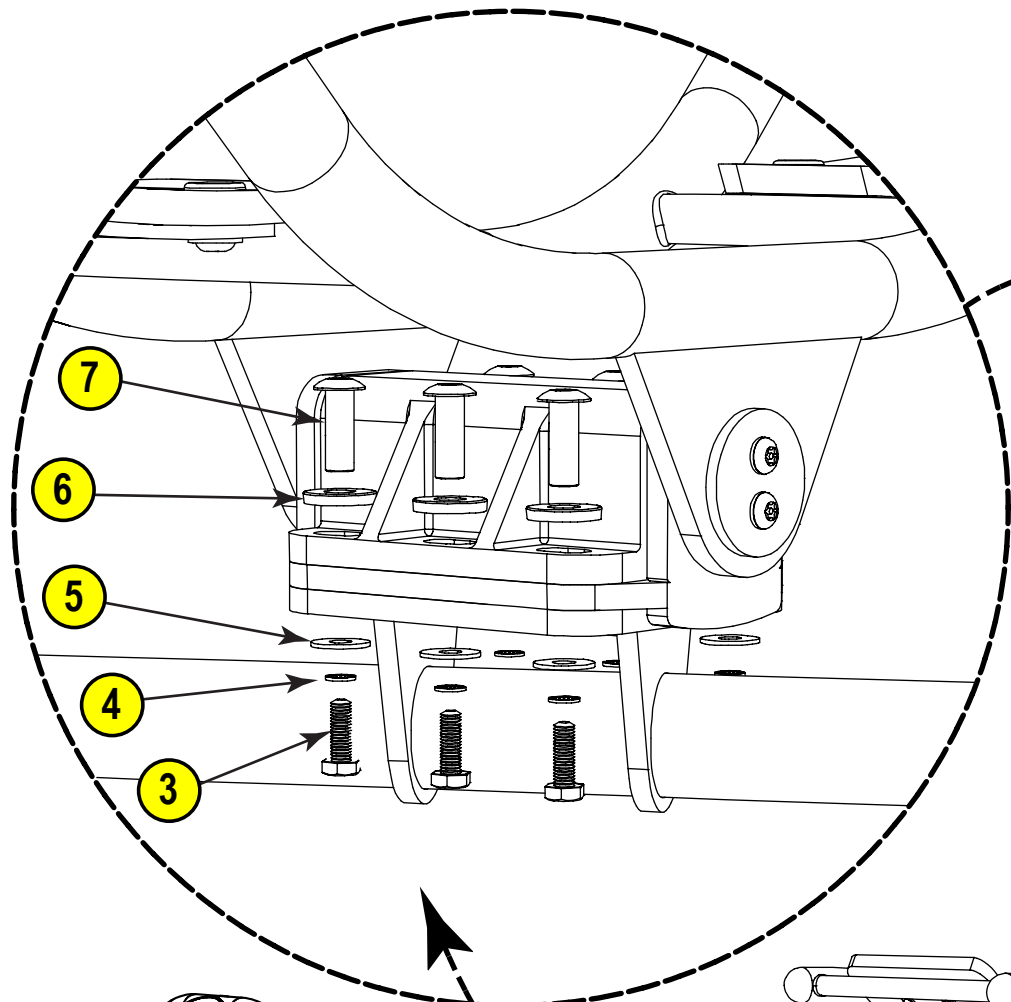


EN1176
FHF ≥ 1.1m

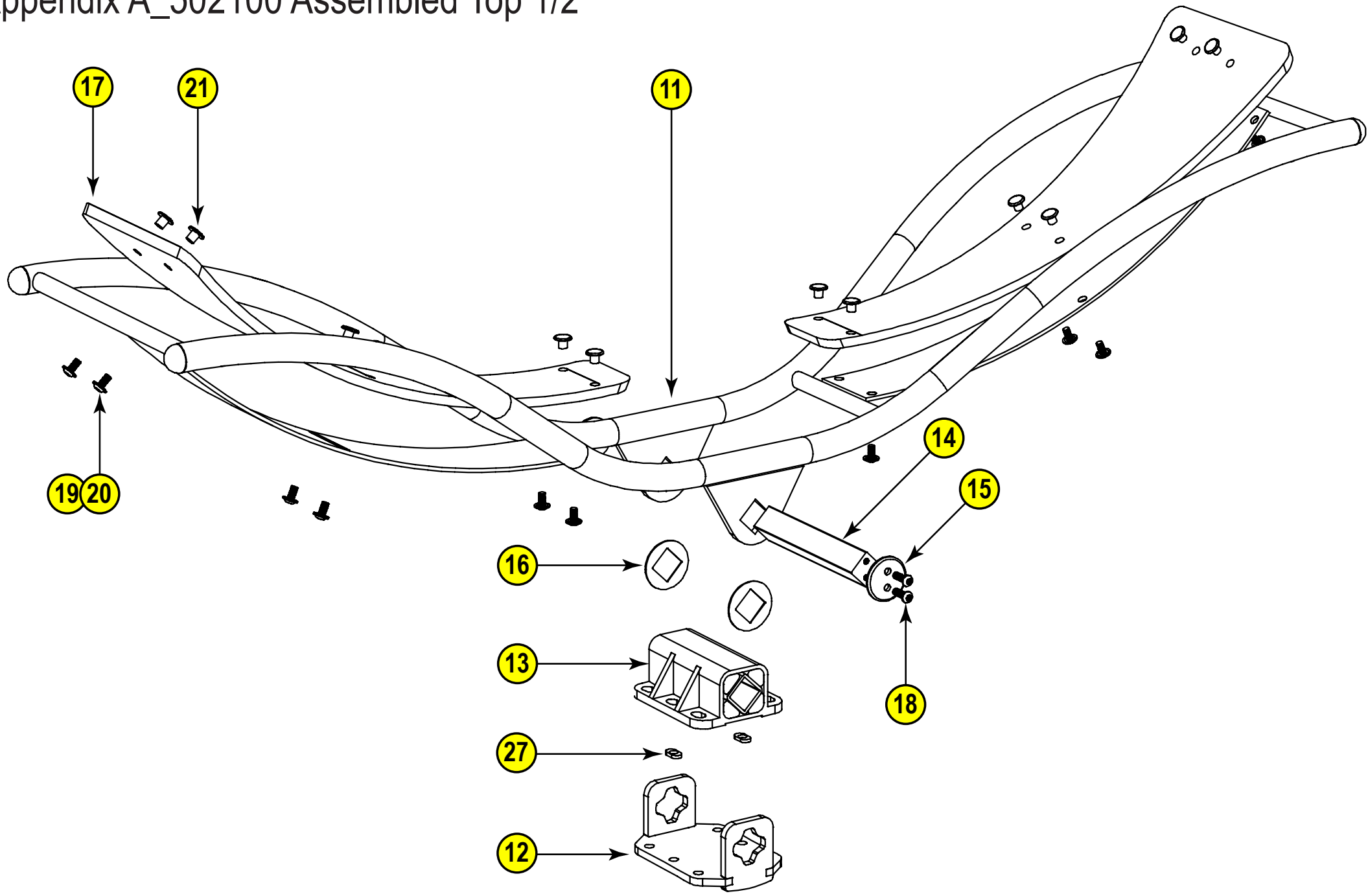



S2 (50mm)
≥C20-25
7 x 24h
101





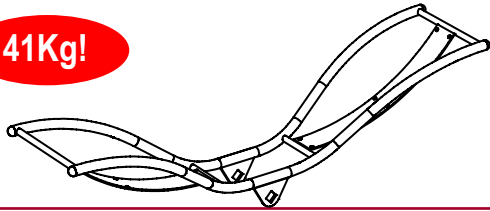
Appendix A_502100 Assembled Top 1/2



Appendix A_502100 Assembled Top 2/2

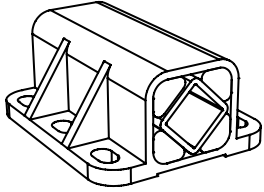
11

41Kg!



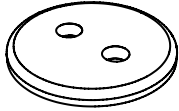
502200
1 No
Wing

13



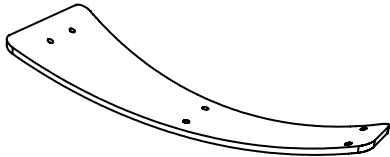
502102
1 No
Suspension Unit Assembly

15



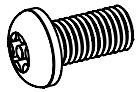
502511
2 No
Shaft End Cap

17



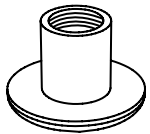
502600
2 No
Seat

19



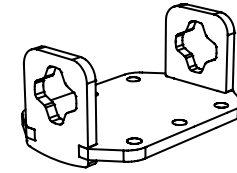
10131020
12 No
M10 x 20 Resistorx

21



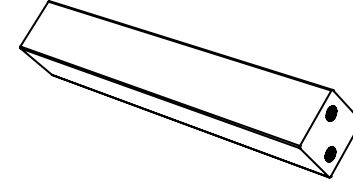
10941000
12 No
M10 Blank T-Nut

12



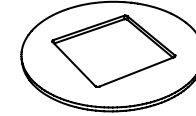
502203
1 No
Stop

14



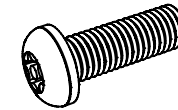
502510
1 No
Shaft

16



502509
2 No
PTFE Washer

18



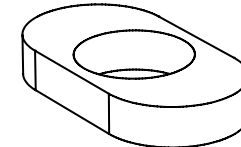
10121030
4 No
M10 x 30 Resistorx

20



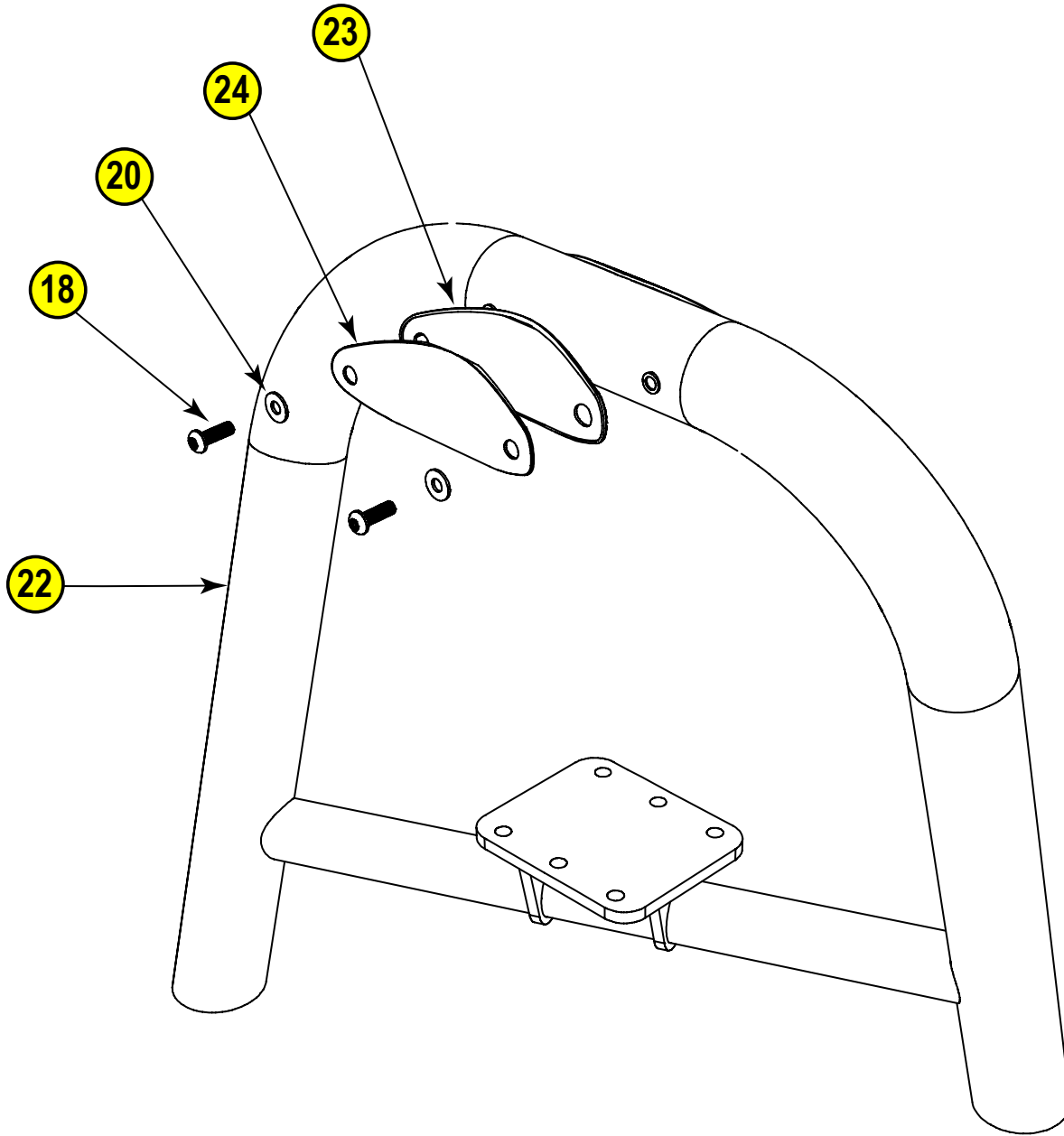
10381000
12 No
M10 Plain Washer

27

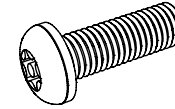


502512
2 No
Centre Locator

Appendix B_502101 Assembled Base



18



10131030
4 No
M10 x 30 Resistorx

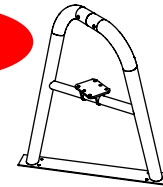
20



10381000
4 No
M10 Plain Washer

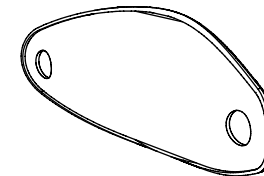
22

40Kg!



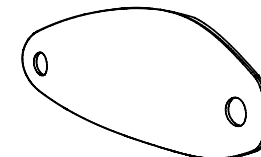
502201
1 No
Base Unit

23



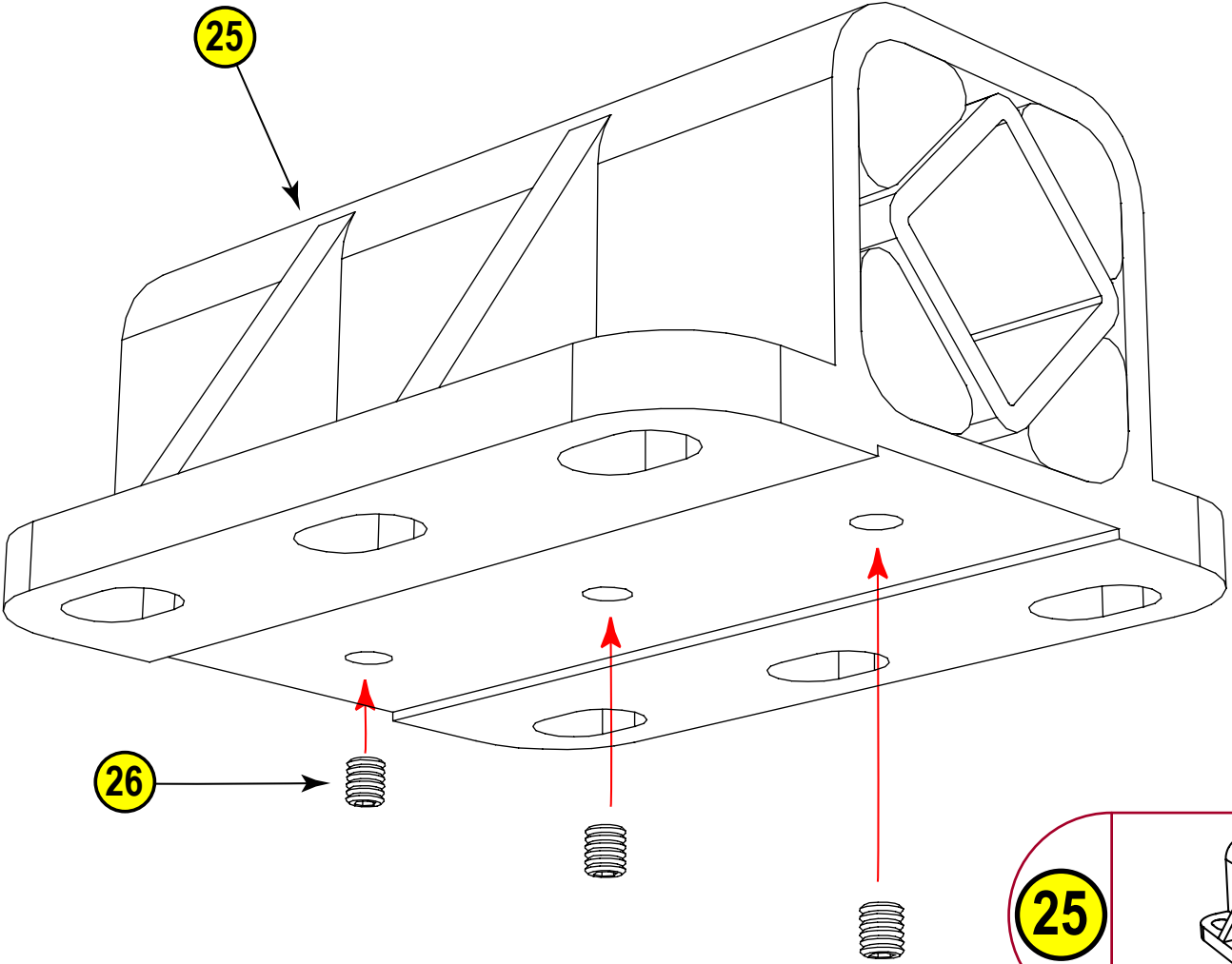
19023801
2 No
Saddle Gasket

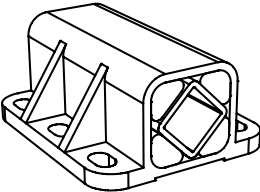
24



502506
2 No
Footplate

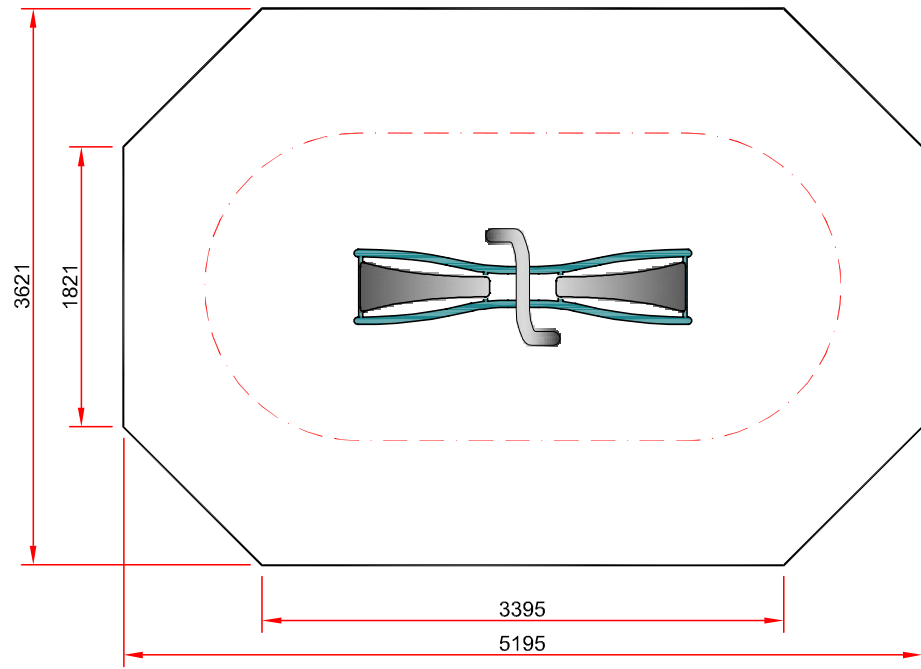
Appendix C_502102 Suspension Unit Assembly




25  **502520**
1 No
Suspension Unit

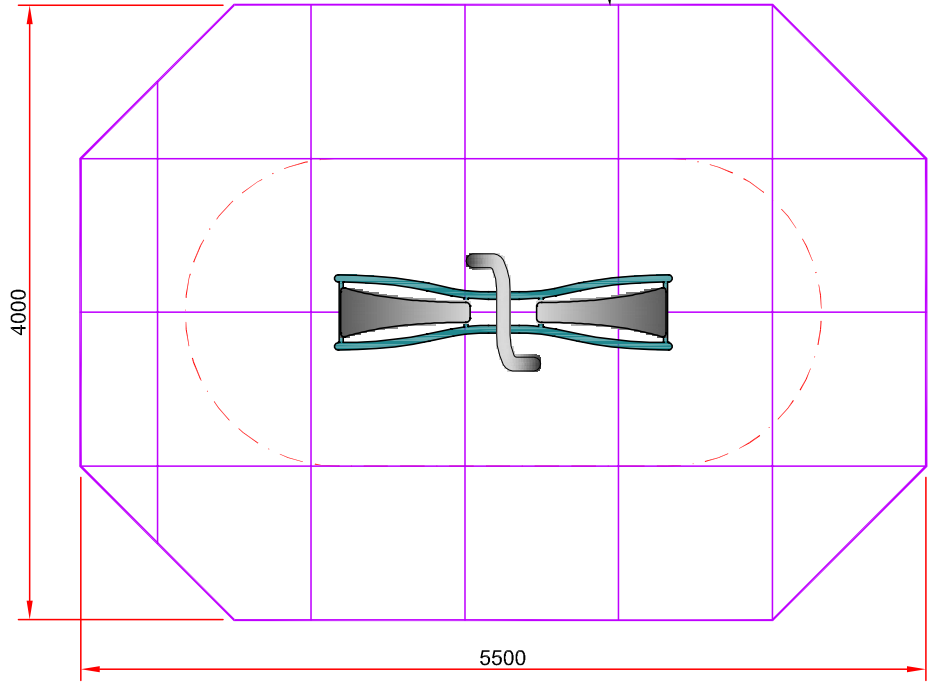
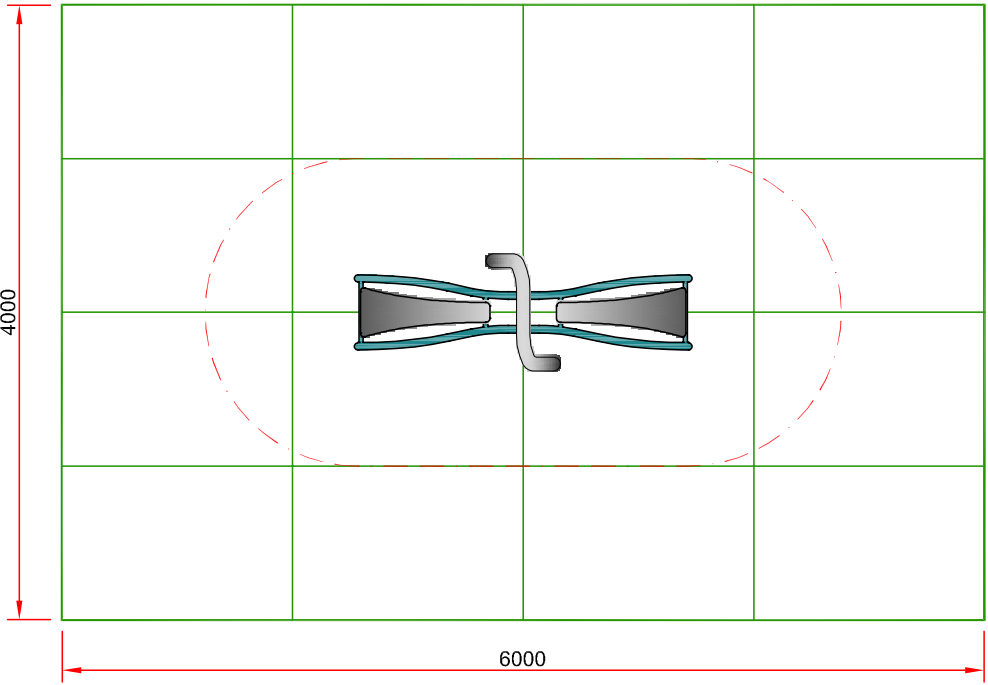
26  **502523**
3 No
M8 x 8 Grub Screw

Appendix D_Surfacing Setting Out



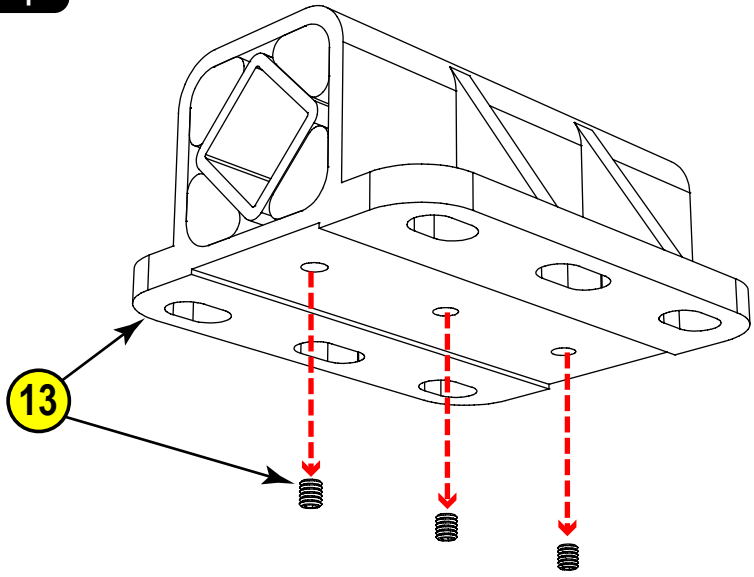
 **144**
TYPE 5
Grassmat

 **144**
TYPE 3
Synthetic

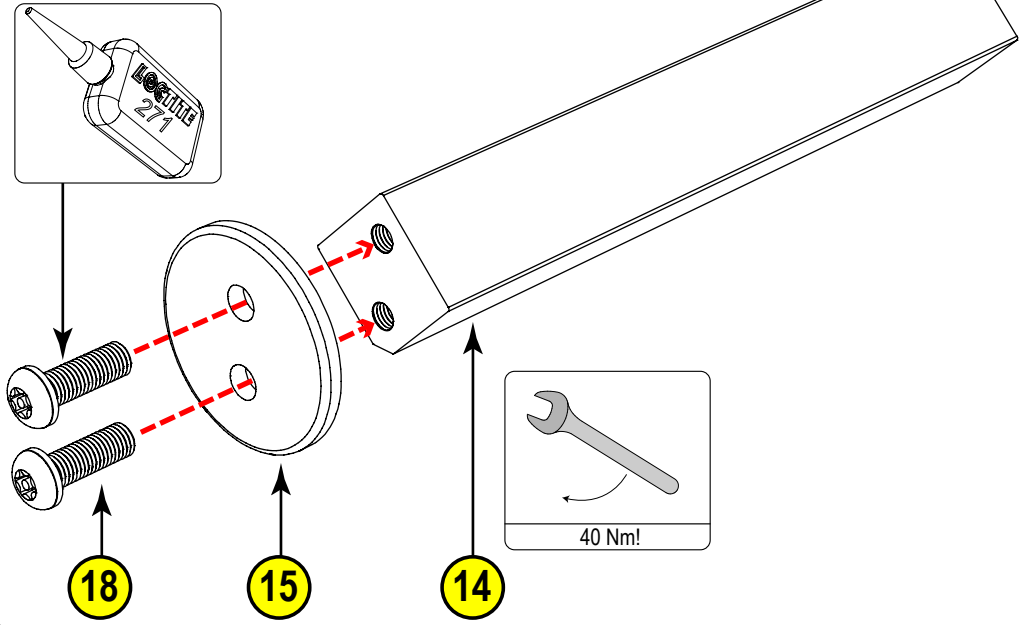


Appendix E_ROSTA Replacement 1/2

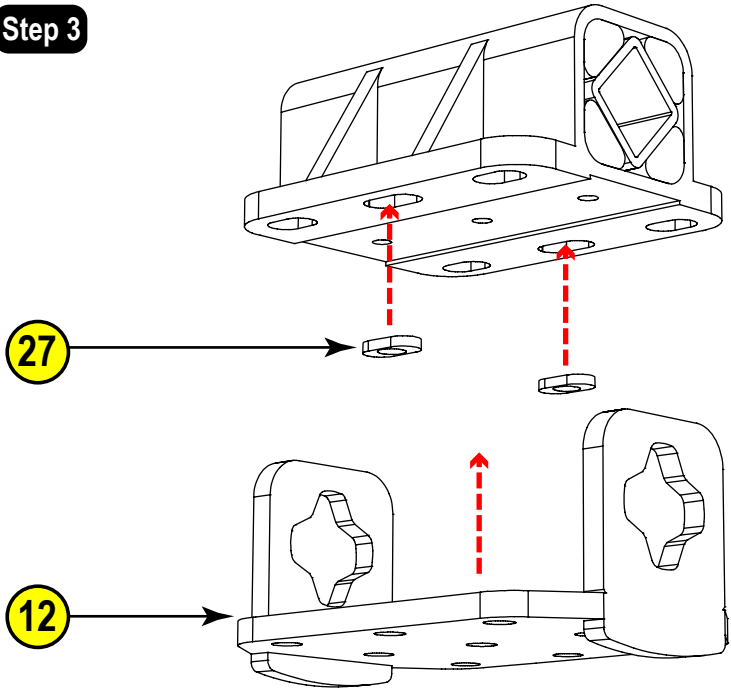
Step 1



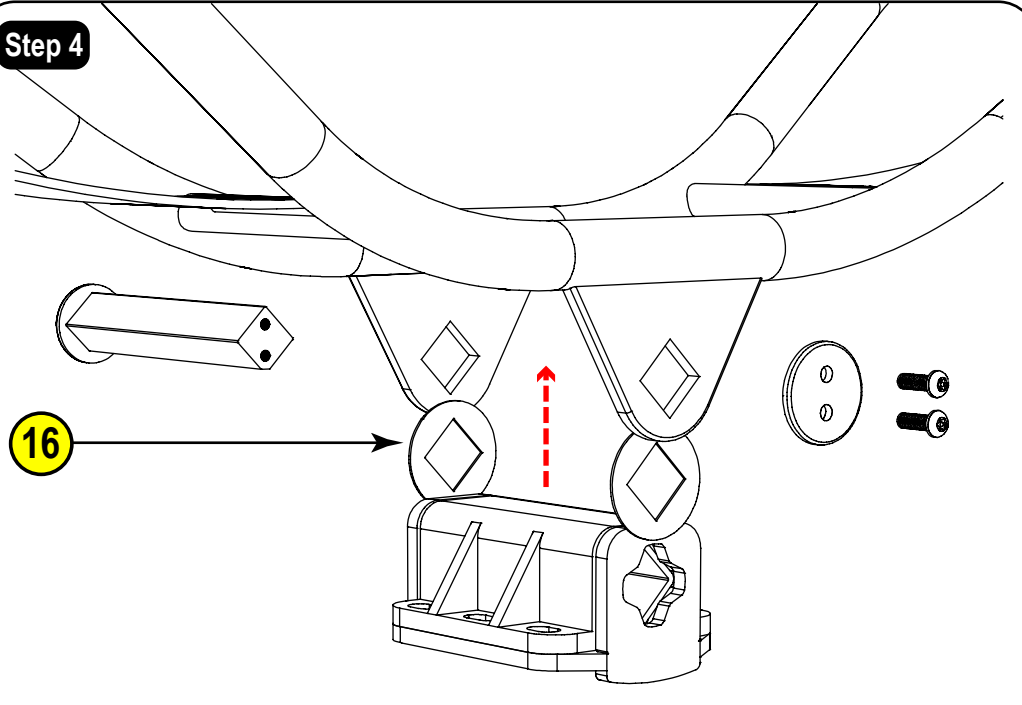
Step 2



Step 3



Step 4



Appendix E_ROSTA Replacement 2/2

