

# OPTIMO

Pocket Door



Architect Raúl Sánchez Architects. Photography David Zarzoso.

**HÄFELE**

# OPTIMO

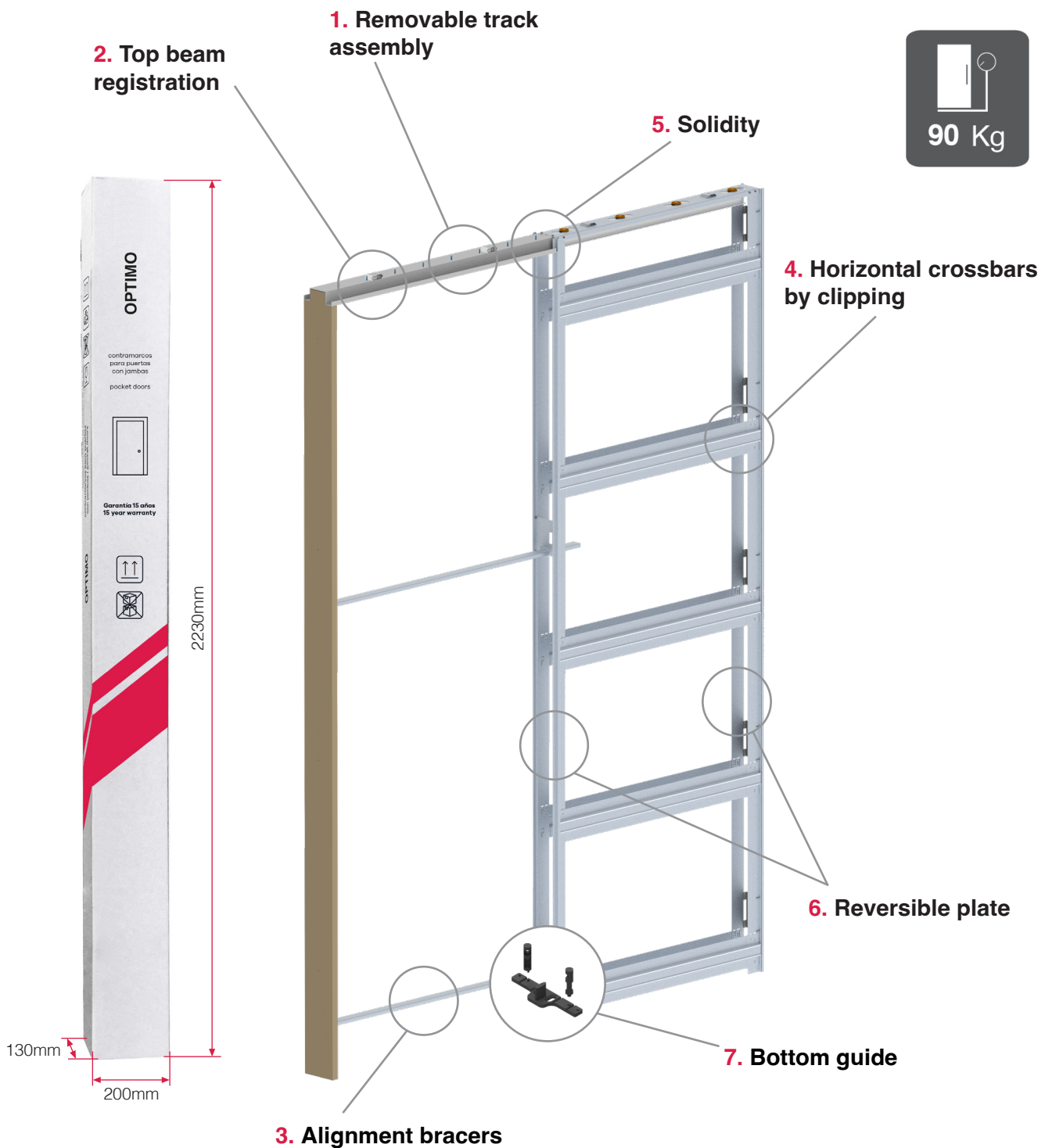
Pocket Doors are metal structures that allow the sliding doors to slide inside the plasterboard walls, thus offering multiple benefits such as:

- **Visual continuity** thanks to its minimal visual impact in the space
- **Optimization of space** since they leave the side walls free to place any element since the door is hidden inside the partition

But... How should the pocket door be to meet high quality standards? The **OPTIMO** kit does not only meet the standards of reliability and durability but also goes one step further by leading in innovation and ease of installation. Do you dare to discover it?

**INSTALLATION VIDEO**  
OPTIMO assembly tutorial





**Kit Version:** The Kit version of a pocket door not only facilitates the transportation, but also maximum optimization of space for its storage. And all this, without neglecting the ease and speed of assembly since pre-assembled elements are included:

- The vertical uprights with the reversible plate at 100mm
- Track assembly already fitted to the registrable top beam

**Single and double doors:** The single door kit can be converted into a double door with a jointing kit.

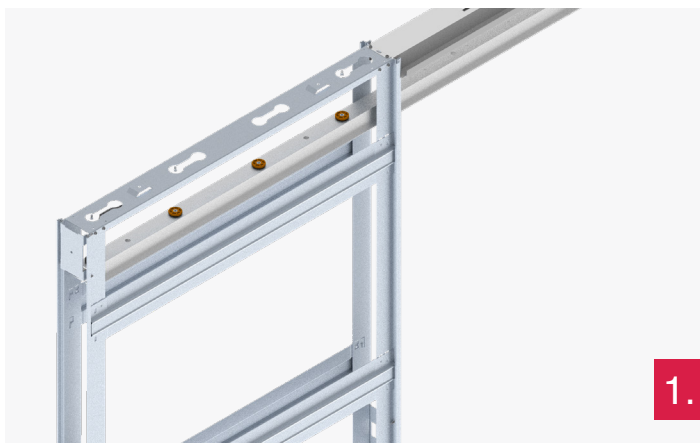
**Standard and special sizes:** Bespoke sizes available up to 1.2m wide and 2.4m high

# FEATURES



## Hangers

Guaranteed durability with up to 100.000 cycles testing as per standard EN1527. Softness and silence in its sliding and manufactured for panels up to 90Kg.



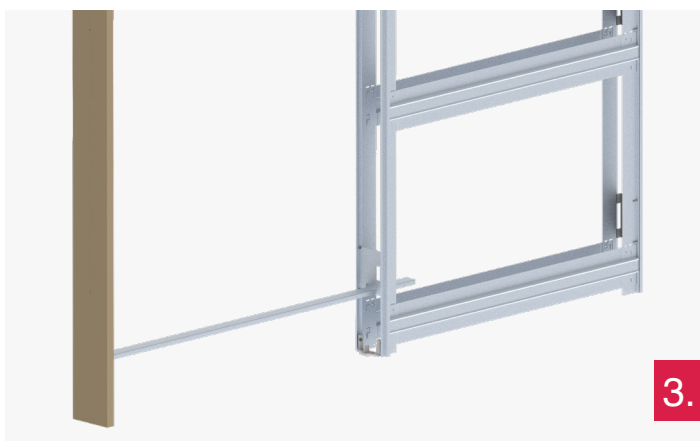
## Removable track assembly

This innovation allows direct access to the mechanisms, guaranteeing their replacement in case of wear of the installation or additional accessories without the need to make any modifications to the walls.



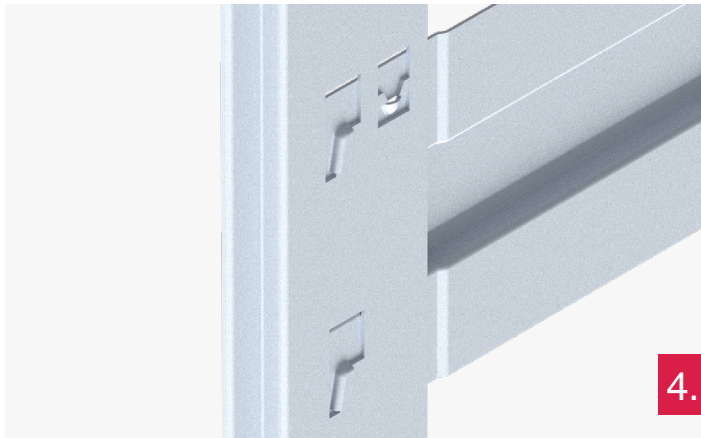
## Top beam registration

Another way to guarantee access to the mechanisms (not applicable for systems with a soft closing). With machined top beam for better aesthetics.



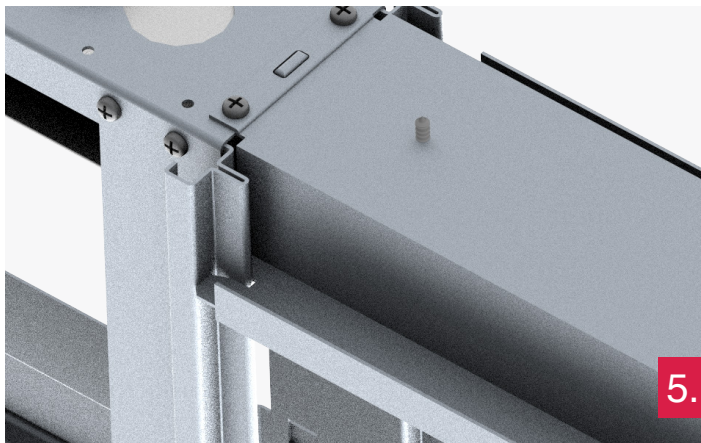
## Alignment bracers

Alignment bracers: which allow, as its name indicates, to align the frame with the vertical posts facilitating installation on site. In addition, the screws for its placement, are already arranged to the wooden post, so the bracers only need to be placed and tightened.



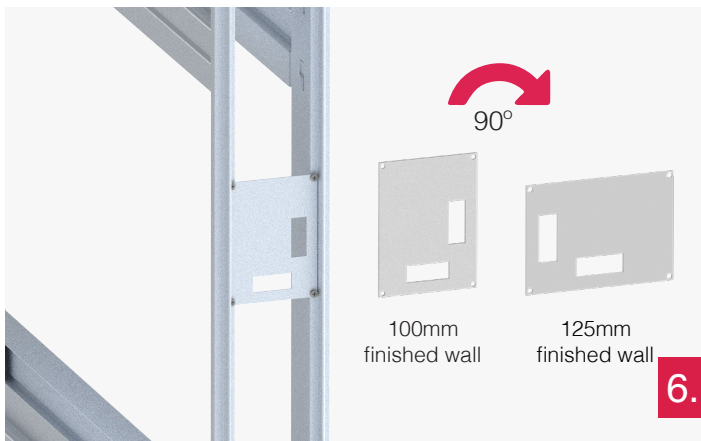
### Horizontal crossbars by clipping

With the aim of facilitating and saving assembly time, the horizontal crossbars are placed with an innovative clipping system, in which no screws are needed.



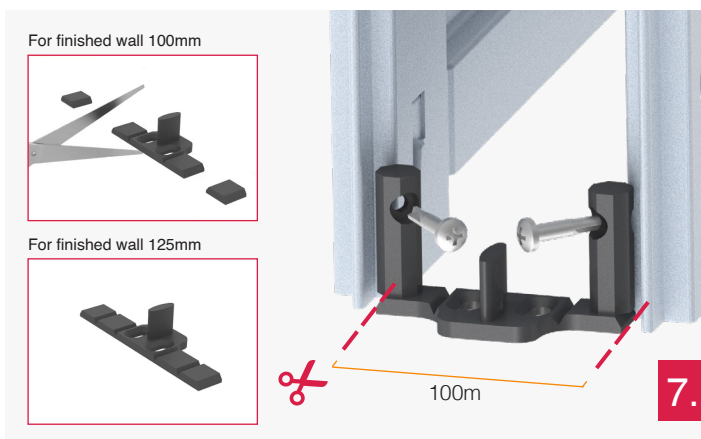
### Solidity

The anchoring design of the pocket metal verticals with the vertical post guarantees the necessary resistance to pressure.



### Reversible plate

With a simple 90° turn, the adaptation of the pocket door for a finished wall thicknesses of 100mm or 125mm is achieved.



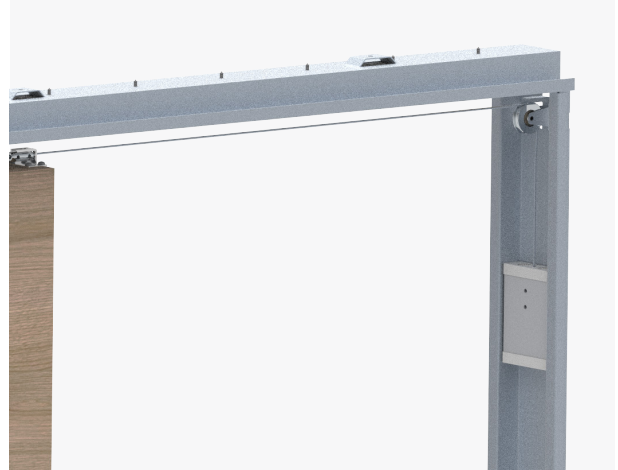
### Bottom guide

Single unit suitable for both finished wall thicknesses 100/125 mm with the possibility of fixing it on the vertical posts with tapping screws.

# ACCESSORIES AVAILABLE

## 1. SELF CLOSE (UP TO 90KG)

The kit contains two different weights so that the selfclose can be adjusted to 45 or 90kg depending on the weight of the door.



## 3. JAMBS KITS (100/125 FINISHED WALL)

To achieve the best finish in the installation two jamb standard kits for 100 and 125mm finished wall are available.

The jambs kits include white weather strips and rubber gaskets.

**Fire rated jamb kit:** only for 125mm finished wall and with intumescent strips and rubber gaskets included.

## SOFT CLOSE

## 2.

Provides a soft closing and opening of the door. It retains the door in the last 10cm of its sliding path, holding it in a controlled way until the end of its journey and avoiding slams as well as extending the useful life of the product.



Standard jamb kit. Natural finger-jointed wood finish.

# FIRE RATED JAMB KIT



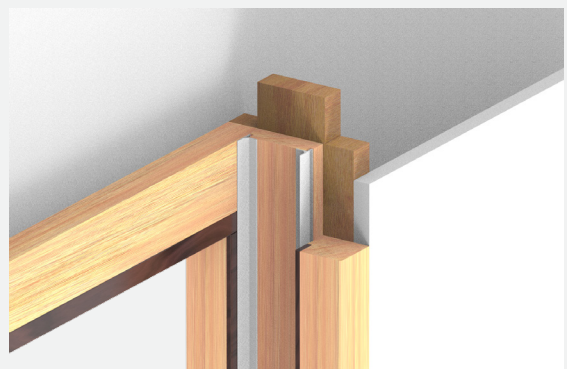
- MDF Fire Rated Jamb Kit for Single FD30 Rated Doors
- Fully certified to EN 1634-1:2016+A1:2018 for fire resistance
- Only for use with 44 mm thick FD30 Timber doors (not supplied)
- Available for finished wall thickness 125mm (frame thickness 100mm)
- Intumescent strips included
- Available with different options of self-close and soft closing brake (up to 90kg/leaf)
- Quick and easy installation
- Use two layers of 12,5mm fireboard each side (not supplied)

## VERSATILITY

This **fire rated jambs kit** are suitable with the OPTIMO pocket doors kits for doors up to 1026mm wide and 2040mm high, 125mm finished wall thickness. With additional accessories such as self close and soft close up to 90Kg/leaf.

## CERTIFICATION

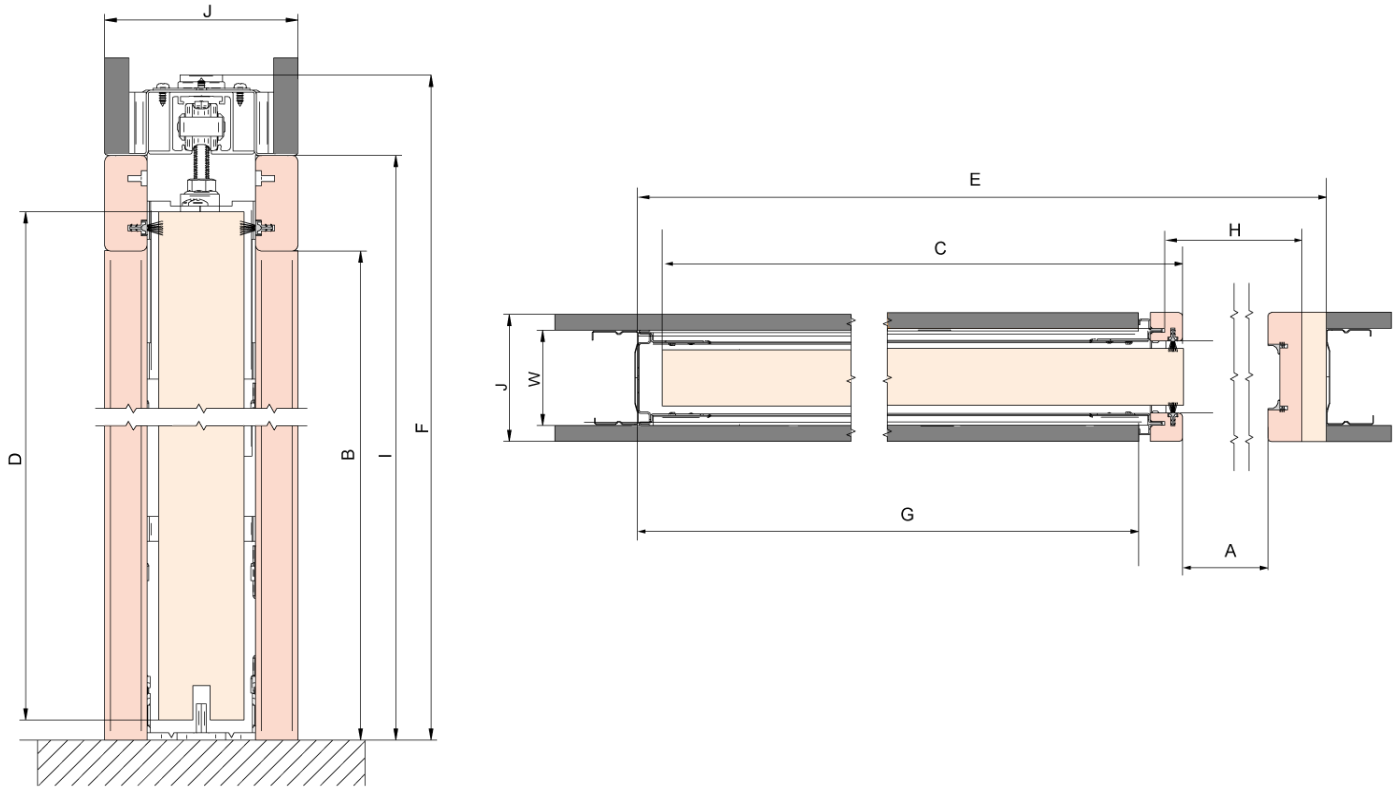
The system has been independently tested and certified by an EU-recognised Notified Body **Applus+** and subsequently assessed by a UK-Notified Body in WarringtonFire in terms of integrity performance criteria of **BS EN 1634-1:2014 +A1:2018** (Part 1: "Fire resistance test for door and shutter assemblies and openable window") for up to 30 minutes fire resistance performance.



Fire rated jambs kit. MDF finish.

# CROSS-SECTION

## OPTIMO POCKET DOOR



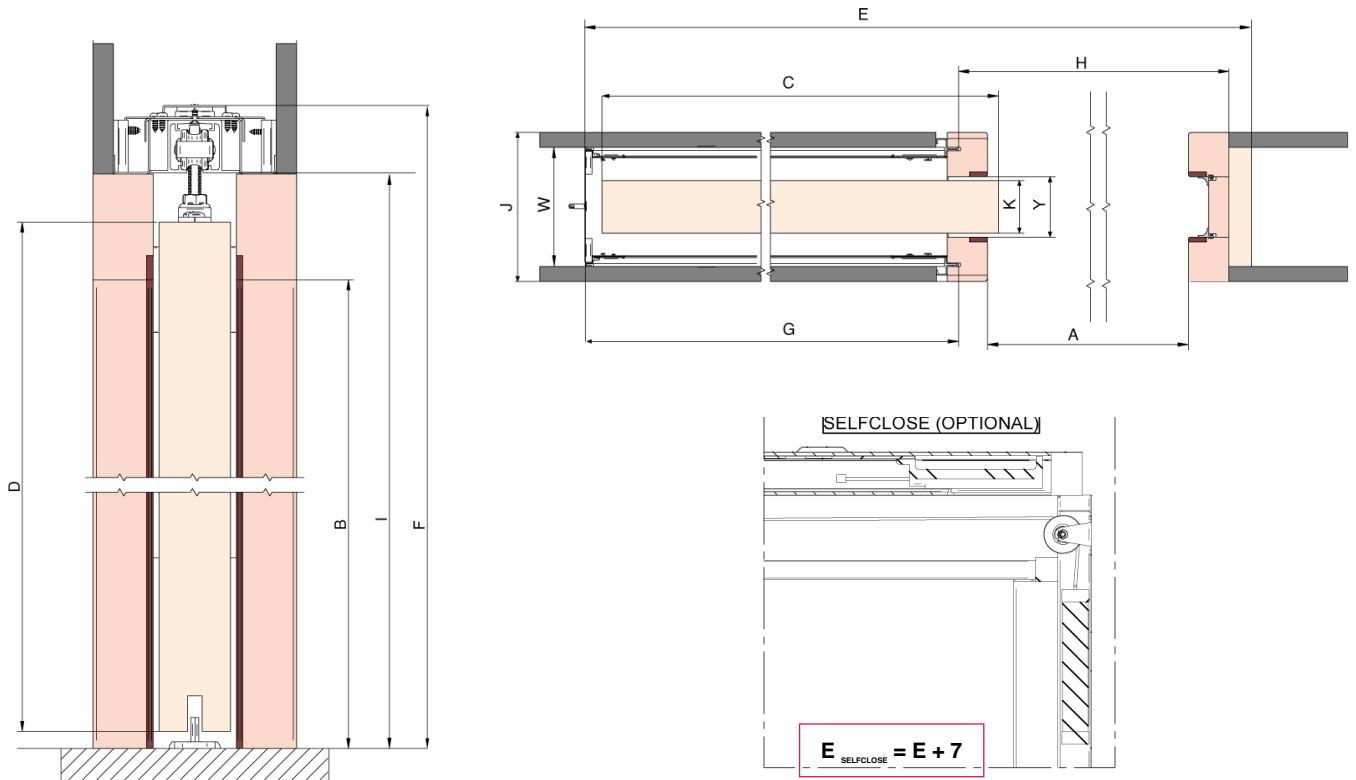
**A** Passage width | **B** Passage height | **C** Door width | **D** Door height | **E** Overall width | **F** Overall height | **G** Frame width | **H** Passage size without jambs | **I** Height from finished floor to inside face of track | **J** Finished wall | **K** Max. door thickness | **W** Frame thickness

	Passage size		Panel size		Overall size		Other		
	<b>A</b>	<b>B</b>	<b>C</b>	<b>D</b>	<b>E</b>	<b>F</b>	<b>G</b>	<b>H</b>	<b>I</b>
<b>940.99.002</b>	601	2030	626	2040	1279	2122	617	643	2065
<b>940.99.003</b>	701	2030	726	2040	1479	2122	717	743	2065
<b>940.99.004</b>	801	2030	826	2040	1679	2122	817	843	2065
<b>940.99.005</b>	901	2030	926	2040	1879	2122	917	943	2065
<b>940.99.006</b>	1001	2030	1026	2040	2079	2122	1017	1043	2065
<b>940.99.007</b>	585	1971	610	1981	1247	2063	601	627	2006
<b>940.99.008</b>	661	1971	686	1981	1399	2063	677	703	2006
<b>940.99.009</b>	737	1971	762	1981	1551	2063	753	779	2006
<b>940.99.010</b>	813	1971	838	1981	1703	2063	829	855	2006
<b>940.99.011</b>	889	1971	914	1981	1855	2063	905	931	2006

Finished Wall	Frame thickness	Interior width	Max. door thickness
<b>J</b>	<b>W</b>	<b>Y</b>	<b>K</b>
100	75	56	44
125	100	81	44

\* Contact for special sizes details.

**FIRE RATED JAMBS**




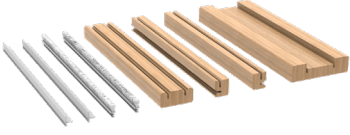






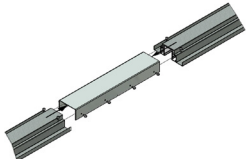

**A** Passage width | **B** Passage height | **C** Door width | **D** Door height | **E** Overall width | **F** Overall height | **G** Frame width | **H** Passage size without jambs | **I** Height from finished floor to inside face of track | **J** Finished wall | **Y** Interior width | **K** Max. door thickness | **W** Frame thickness

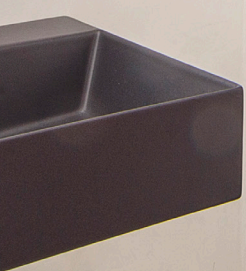
	Passage size		Panel size		Overall size		Other		
	A	B	C	D	E	F	G	H	I
<b>940.99.002</b>	584	2015	626	2040	1279	2122	617	643	2080
<b>940.99.003</b>	684	2015	726	2040	1479	2122	717	743	2080
<b>940.99.004</b>	784	2015	826	2040	1679	2122	817	843	2080
<b>940.99.005</b>	884	2015	926	2040	1879	2122	917	943	2080
<b>940.99.006</b>	984	2015	1026	2040	2079	2122	1017	1043	2080
<b>940.99.007</b>	568	1956	610	1981	1247	2063	601	627	2021
<b>940.99.008</b>	644	1956	686	1981	1399	2063	677	703	2021
<b>940.99.009</b>	720	1956	762	1981	1551	2063	753	779	2021
<b>940.99.010</b>	796	1956	838	1981	1703	2063	829	855	2021
<b>940.99.011</b>	872	1956	914	1981	1855	2063	905	931	2021

Finished Wall	Frame thickness	Interior width	Max. door thickness
<b>J</b>	<b>W</b>	<b>Y</b>	<b>K</b>
125	100	56	44

\* Contact for special sizes details.

# ¿HOW DO I ORDER AN OPTIMO?

1. CHOOSE YOUR POCKET DOOR KIT SIZE	Cod.	Dimensiones	Finish
 <p>OPTIMO pocket door kit*</p> <p>*Bespoke sizes available</p>	940.99.002 940.99.003 940.99.004 940.99.005 940.99.006 940.99.007 940.99.008 940.99.009 940.99.010 940.99.011	626x2040x100/125 726x2040x100/125 826x2040x100/125 926x2040x100/125 1026x2040x100/125 610x1981x100/125 686x1981x100/125 762x1981x100/125 838x1981x100/125 914x1981x100/125	
2. CHOOSE YOUR JAMB KIT / 100/125 FINISHED WALL			
 <p>OPTIMO jamb kit</p>	940.99.012 (100 mm FW)  940.99.014 (125 mm FW)	2150x1000x44  2150x1000x44	
 <p>OPTIMO jamb kit <b>FD30</b></p>	940.99.015 (125 mm FW)	2150x1000x44	
3. CHOOSE YOUR ACCESSORIES			
 <p>Selfclose set <b>FD30</b></p>	940.99.312		
 <p>Softclose A90 (Add x1 for single) (Add x2 for double)</p>	940.99.313		
 <p>Accessories set (x1 set Included in Kits)</p>	940.99.403		
 <p>Jointing Kit</p>	405.48.400		
 <p>Easy Glass Clamp 90kg</p>	405.49.400		



# OPTIMO

Pocket Door

**HÄFELE**

Hafele UK  
Swift Valley Ind Est  
Rugby  
Warwickshire  
CV21 1RD