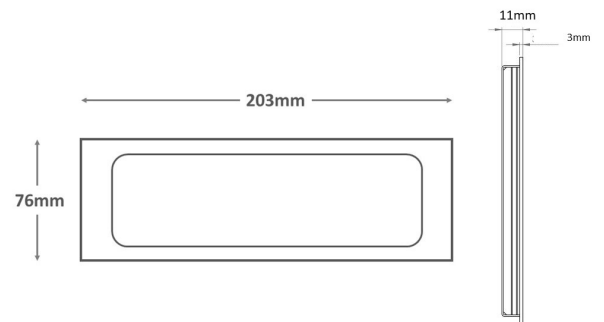


PROJECTS 360°

FLUSH PULL SOLID BRASS

PROJECTS CODE: HUKP-0201-23



PRODUCT FEATURES

- > Flush pull with straight step edge design
- > Solid Brass
- > Single lip
- > Other sizes available up to 305 x 76mm maximum

FIXING DETAILS

- > 11mm depth / 3mm lip
- > Concealed pin fix

PERFORMANCE GUARANTEE

- > 10 Years



* Refer to 0201 Finishes data sheet for a full list of available finishes

FINISHES*

- > Autumn Bronze Antique finish shown



Autumn
Bronze Antique



Matt Black
Bronze



Polished
Nickel



Satin
Brass



Polished
Chrome



Polished
Brass



Antique
Nickel



Satin
Nickel



Imm. Bronze
Metal Antique

Contact us for help and advice on your next project.

0800 171 2907

estimating@hafele.co.uk

hafele.co.uk

