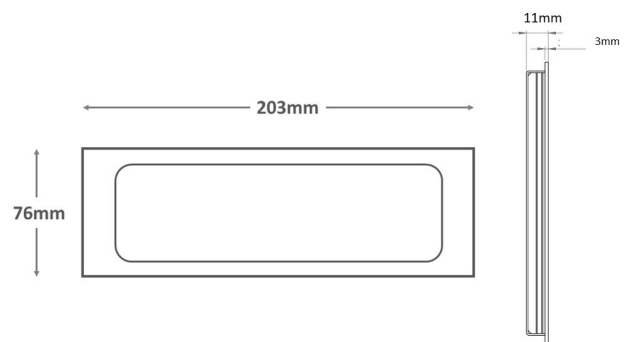


PROJECTS 360°

FLUSH PULL SOLID BRASS

PROJECTS CODE: HUKP-0201-22



PRODUCT FEATURES

- > Flush pull with reeded design
- > Solid Brass
- > Single lip
- > Other sizes available upto 305 x 76mm maximum

FIXING DETAILS

- > 11mm depth / 3mm lip
- > Concealed pin fix

PERFORMANCE GUARANTEE

- > 10 Years



* Refer to 0201 Finishes data sheet for a full list of available finishes

FINISHES*

- > Imm. Bronze Metal Antique finish shown



Imm. Bronze Metal Antique



Matt Black Bronze



Polished Nickel



Satin Brass



Polished Chrome



Polished Brass



Antique Nickel



Satin Nickel



Autumn Bronze

Contact us for help and advice on your next project.

0800 171 2907

estimating@hafele.co.uk

hafele.co.uk

