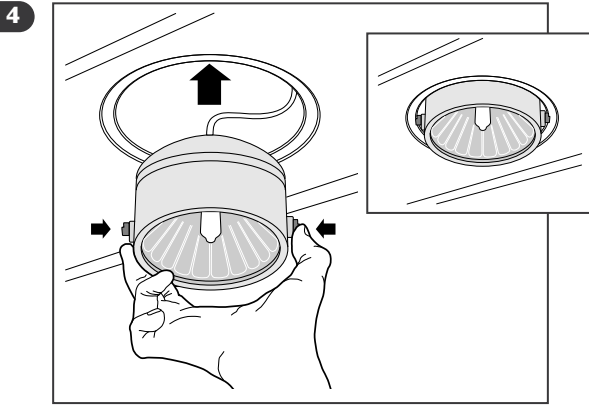
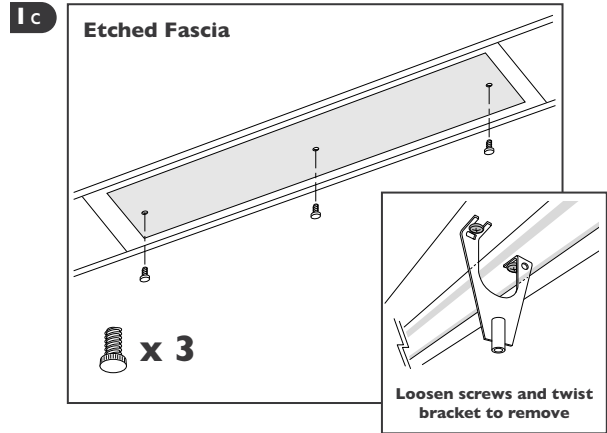


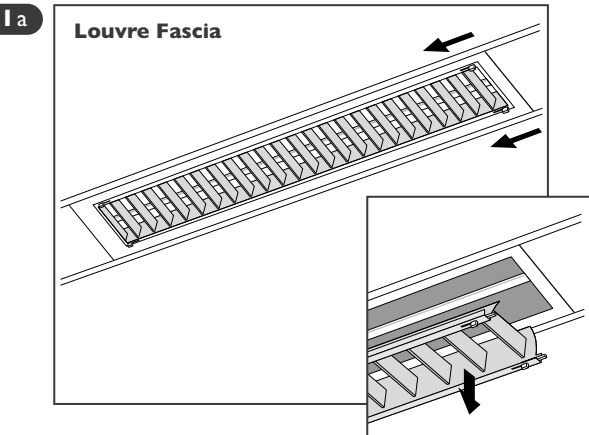
**Lamp installation LVR, MHR, MHC Cont.**



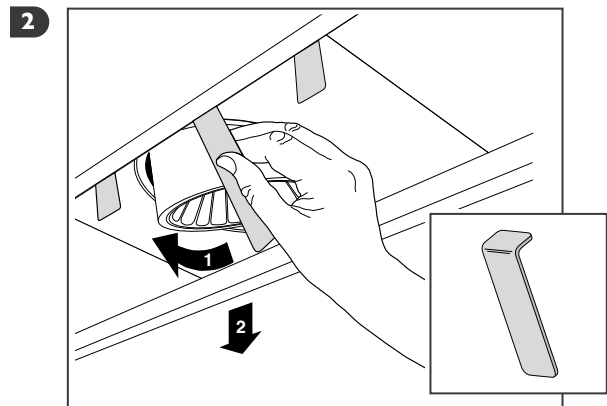
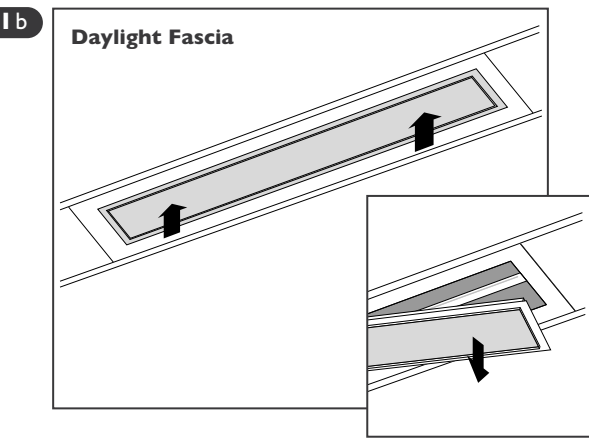
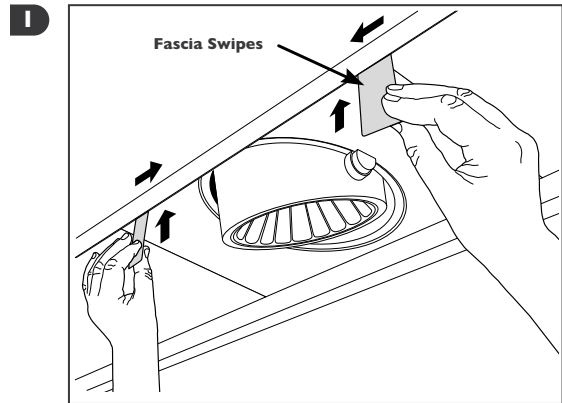
**Lamp installation TFL Cont.**



**Lamp installation TFL**



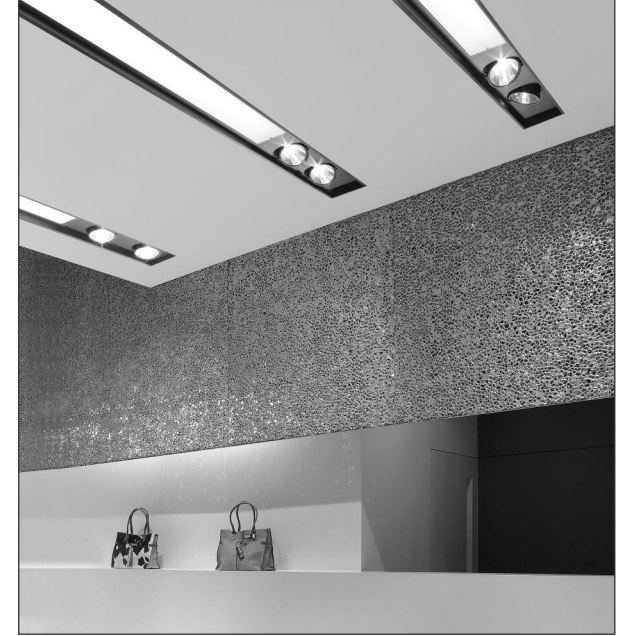
**Fascia removal**



**IMPORTANT INFORMATION**

**Skylink**

Skylink is a versatile Bezel or Bezel Free continuous lighting system with a choice of Recessed or Flush fascias. Fixed and adjustable luminaires with various light sources provide both accent and ambient lighting.



**Disconnect electricity supply before installation.**

To be installed by qualified personnel only.

When installing, Hacel recommends wearing disposable gloves to avoid fingerprinting to the paint work of the luminaire.

Read leaflet fully before installation.

Lamps should be installed and used within the lamp manufacturers guidelines.

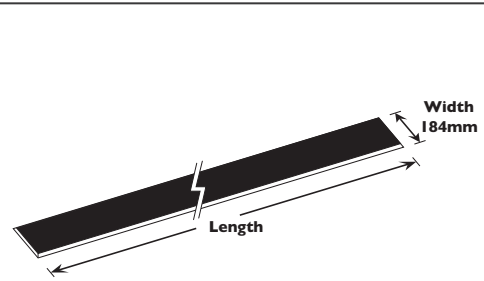


THE SILVERLINK, WALLSEND, NEWCASTLE UPON TYNE,  
TYNE & WEAR, NE28 9ND

TECHNICAL: (0191) 280 9914  
FAX: (0191) 263 0946  
E-MAIL: [technical@hacel.co.uk](mailto:technical@hacel.co.uk)  
WEB: [www.hacel.co.uk](http://www.hacel.co.uk)

## Ceiling preparation

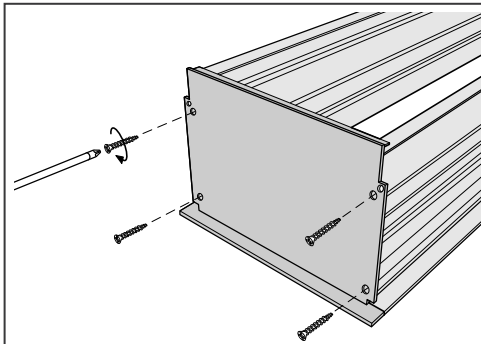
1



Cut out size: Width 184mm x Length  
 Length = (Mounting Frame Length x Mounting Frame Qty) + 10mm

## Mounting Frame preparation Cont.

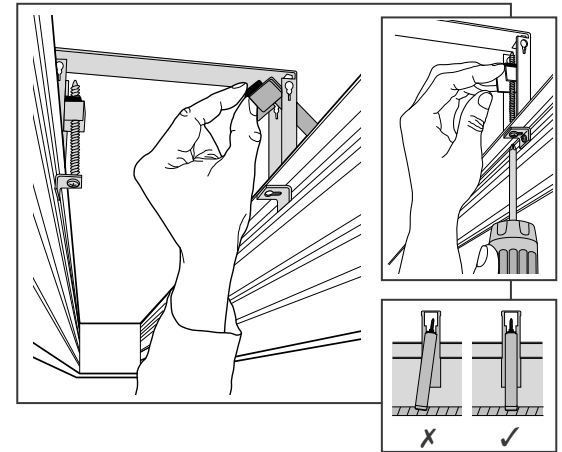
2



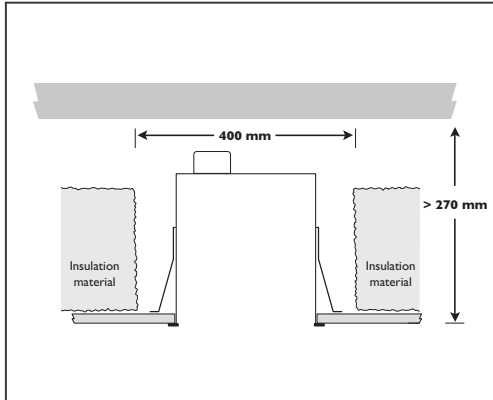
Fit End Caps to first and last Mounting Frames.

## Mounting Frame installation Cont.

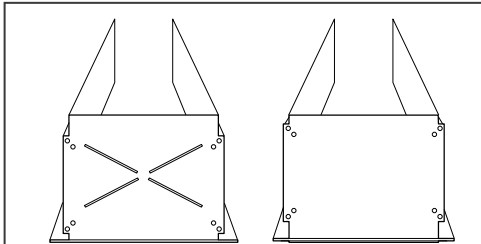
2



2



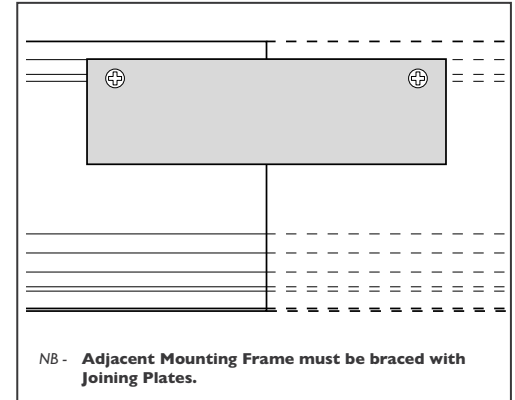
3



Bezel Bezel Free

Ensure End Cap is in correct orientation to correspond to Mounting Frame type.

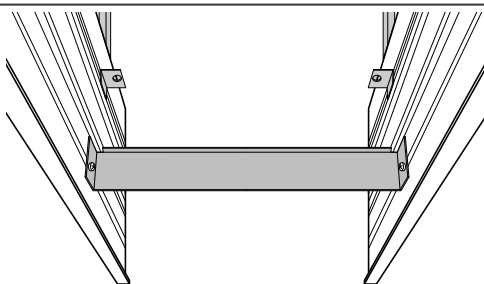
3



NB - Adjacent Mounting Frame must be braced with Joining Plates.

## Mounting Frame preparation

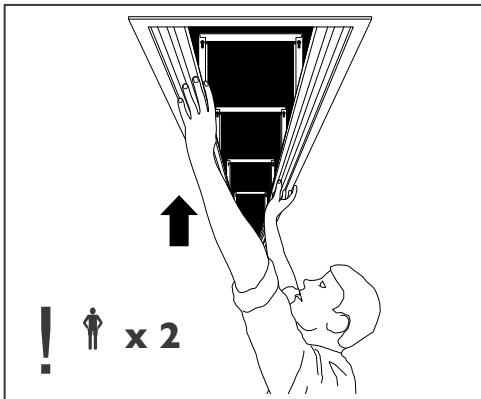
1



NB - Mounting Frame supplied with 'Transit Braces'.  
 Remove only after Mounting Frame is fully secured into ceiling and any plastering completed and set.

## Mounting Frame installation

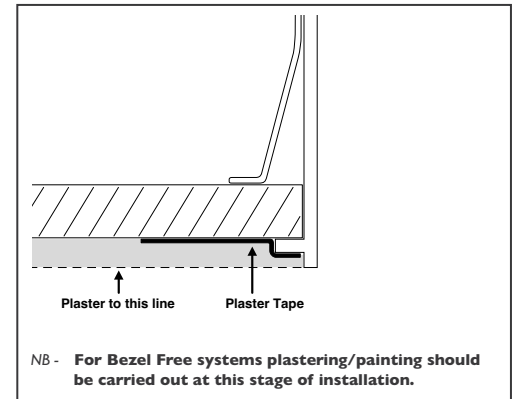
1



! x 2

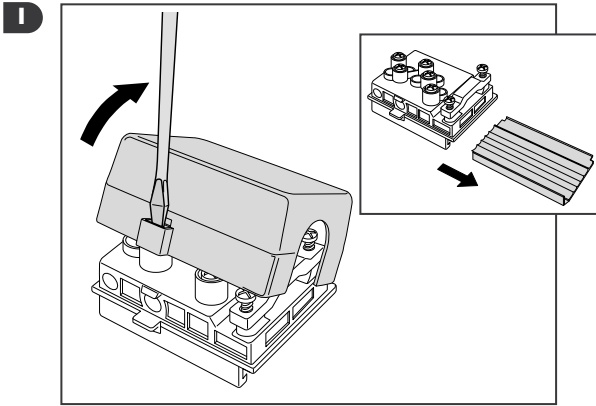
## Bezel Free (Plastering)

1

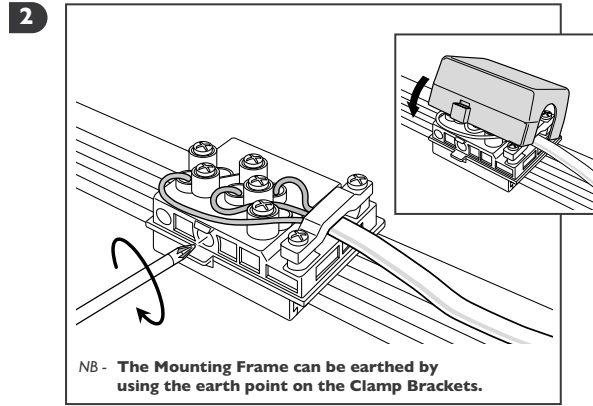


NB - For Bezel Free systems plastering/painting should be carried out at this stage of installation.

### Mains / Dimming Connectors



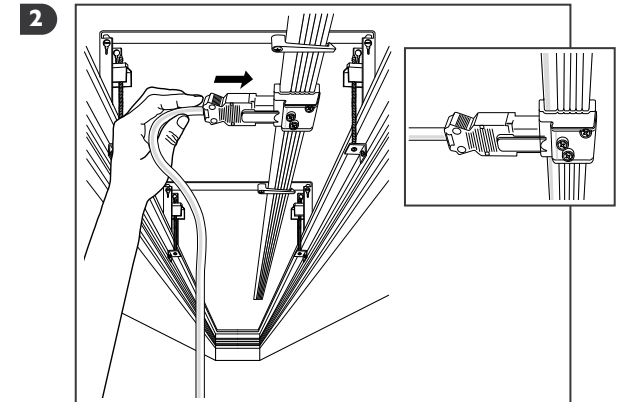
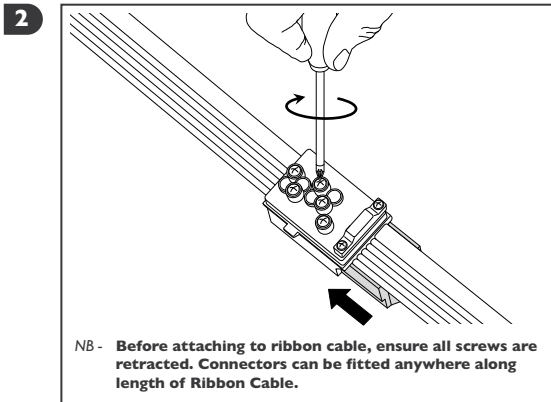
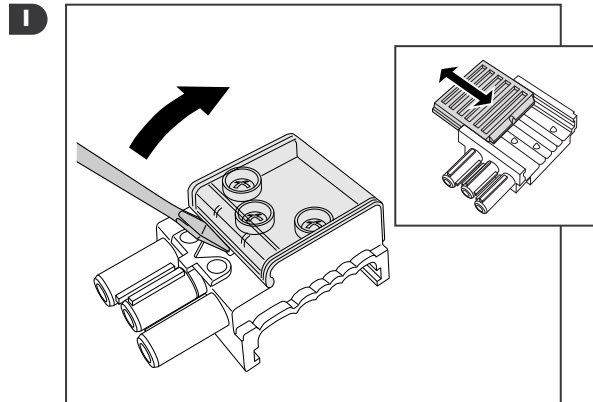
### Ribbon Cable installation Cont.



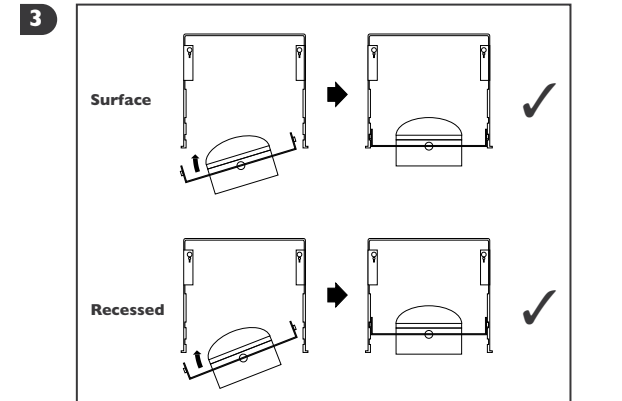
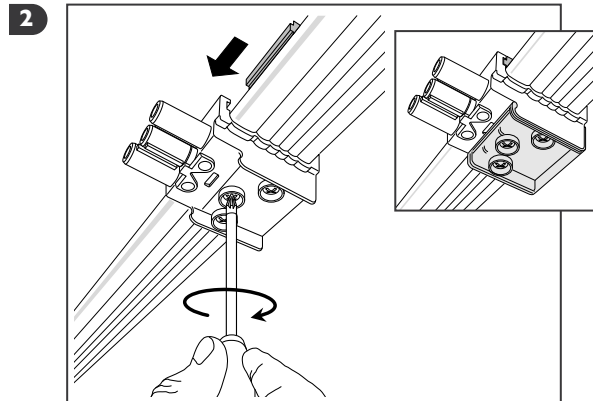
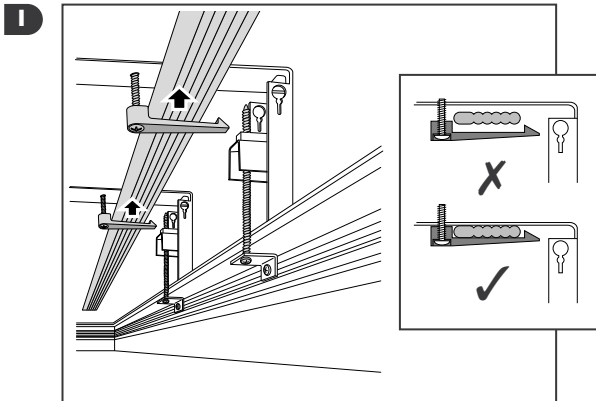
### Fascia installation



### Ribbon Connectors

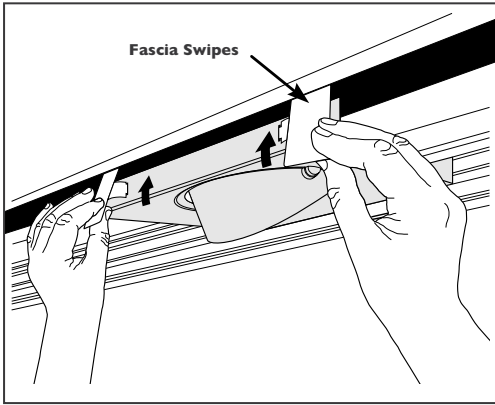


### Ribbon Cable installation



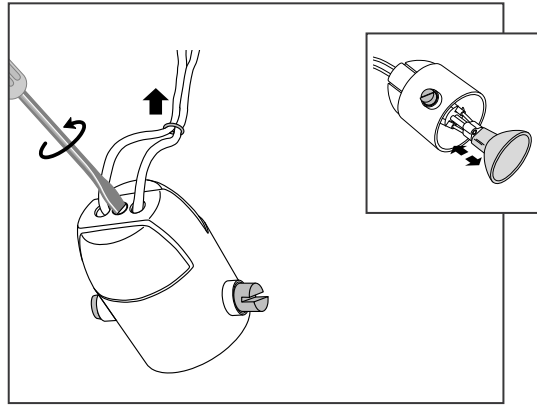
**Fascia installation** Cont.

4



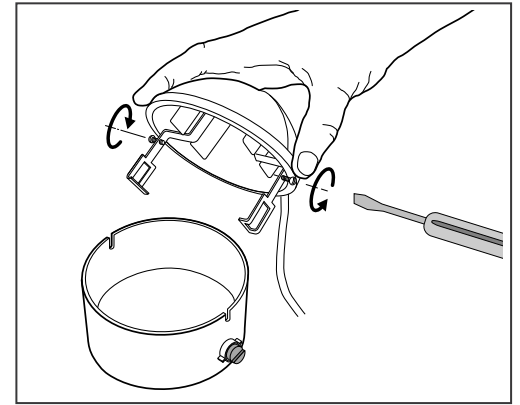
**Lamp installation** LVH, MVH, MHB Cont.

2

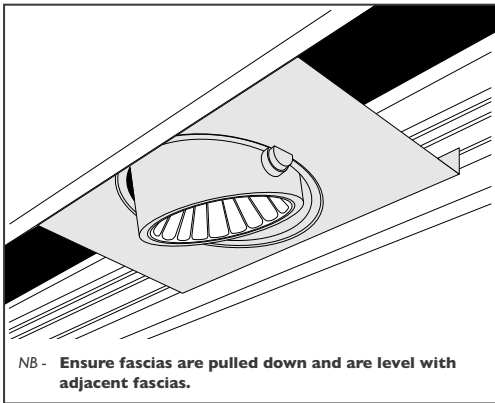


**Lamp installation** LVR, MHR, MHC Cont.

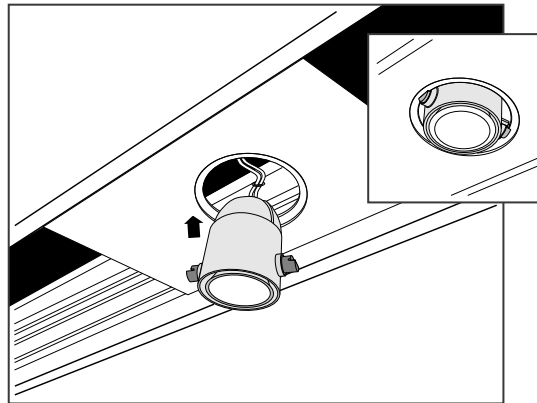
2



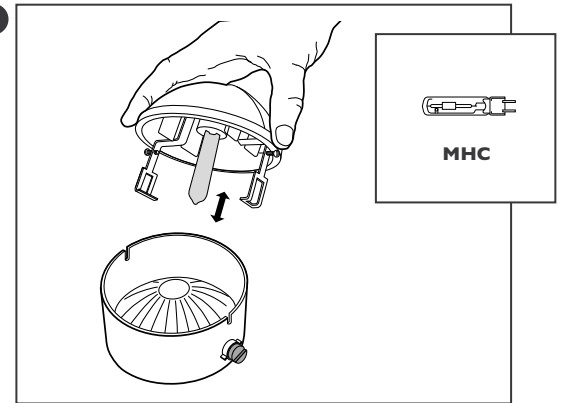
5



3

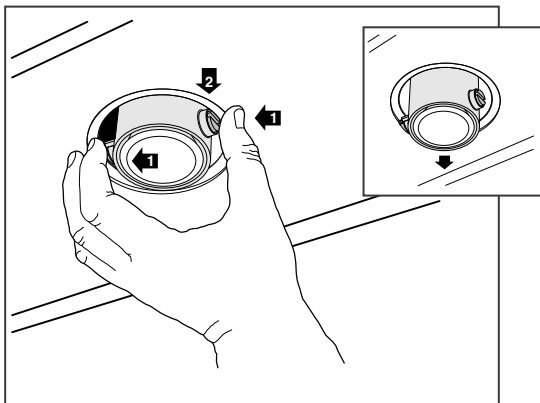


3a



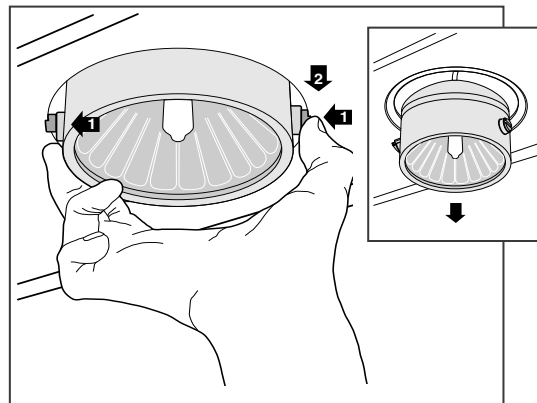
**Lamp installation** LVH, MVH, MHB

1



**Lamp installation** LVR, MHR, MHC

1



3b

