



Network Structural System

A distinctive and versatile high quality suspended Structural System. Integrated luminaires create imaginative general, ambient and accent lighting applications, eminently suited to both large and small installations.

Innovative

- Stylish, exciting Structural Lighting System
- Network creates geometric and abstract visual compositions
- Cleanly encompasses both ambient and accent lighting requirements

Installation

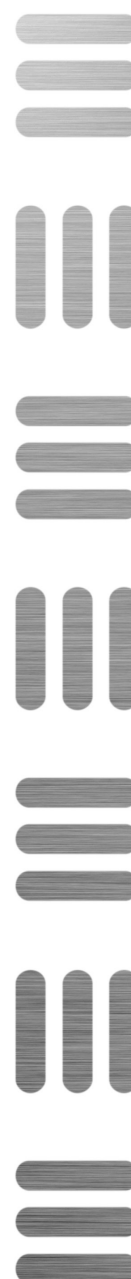
- High quality construction designed for ease of installation
- Network structure features returned edge profile for rigidity and cable concealment
- Each luminaire is pre-wired to its own terminal point
- Twin, single point fixing suspension wires enable adjustable mounting at various points on the system

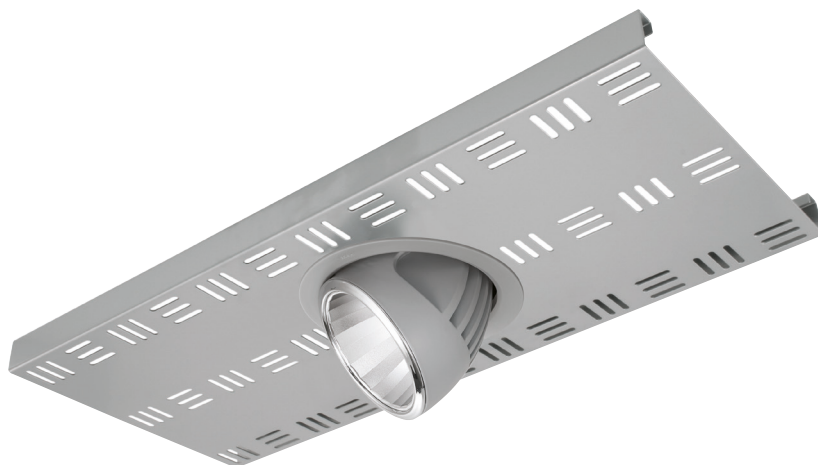
Interconnection Wiring System

- Luminaires can be specified with Interconnecting Wiring System
- Offers quick and efficient installation
- Reduces cost and offers compliance, electrical safety and simplified maintenance

Image

- Luminaires and accessories are co-ordinated to create a total image
- To create individuality, corporate colours are available to special order to further enhance brand appeal





	CRI 80				CRI 90			
	12W	17W	24W	31W	12W	17W	24W	31W
3 Warm White LED (3000K)								
Lumen Output	1945 lm	2715 lm	3838 lm	4823 lm	1648 lm	2299 lm	3251 lm	4085 lm
LOR	0.81	0.81	0.81	0.81	0.81	0.81	0.81	0.81
CRI	80	80	80	80	90	90	90	90
Total Power	13.2W	18.8W	25.5W	33.5W	13.2W	18.8W	25.5W	33.5W
Power Factor	0.90	0.93	0.95	0.96	0.90	0.93	0.95	0.96
Running Current	0.06A	0.09A	0.12A	0.15A	0.06A	0.09A	0.12A	0.15A
Inrush Current	8.0A (80us)	8.0A (80us)	10.0A (100us)	10.0A (100us)	8.0A (80us)	8.0A (80us)	10.0A (100us)	10.0A (100us)
Efficacy	117 lm/W	116 lm/W	121 lm/W	116 lm/W	101 lm/W	99 lm/W	103 lm/W	98 lm/W
Emergency Output (BLF)	N/A	N/A	N/A	N/A	N/A	N/A	N/A	N/A
4 Neutral White LED (4000K)								
Lumen Output	2028 lm	2830 lm	4002 lm	5029 lm	1767 lm	2465 lm	3486 lm	4380 lm
LOR	0.81	0.81	0.81	0.81	0.81	0.81	0.81	0.81
CRI	80	80	80	80	90	90	90	90
Total Power	13.2W	18.8W	25.5W	33.5W	13.2W	18.8W	25.5W	33.5W
Power Factor	0.90	0.93	0.95	0.96	0.90	0.93	0.95	0.96
Running Current	0.06A	0.09A	0.12A	0.15A	0.06A	0.09A	0.12A	0.15A
Inrush Current	8.0A (80us)	8.0A (80us)	10.0A (100us)	10.0A (100us)	8.0A (80us)	8.0A (80us)	10.0A (100us)	10.0A (100us)
Efficacy	124 lm/W	121 lm/W	127 lm/W	121 lm/W	108 lm/W	106 lm/W	110 lm/W	105 lm/W
Emergency Output (BLF)	N/A	N/A	N/A	N/A	N/A	N/A	N/A	N/A

Network Aleda® Adjustable

600mm, L, T & X Modules

LED		CRI 80		CRI 90	
12W	LED	NW	12	+	377 378
17W	LED	NW	17	+	377 378
24W	LED	NW	24	+	377 378
31W	LED	NW	31	+	377 378

	Modules			
	600mm	L	T	X
NW (CRI 80)	398	078	080	082
NW (CRI 90)	399	079	081	083

- High quality Aleda® luminaire perfectly complements the Network module
- Superior Single point Zhaga Book 3 LED
- Available in a choice of lumen outputs, delivering up to 5029 lumens
- Efficacies up to 127 lm/W
- Smooth and precise pan and tilt adjustment
- Available in CRI 80 and CRI 90
- Life expectancy in excess of 60,000 hours (L70 B10)

600mm, L, T & X Modules

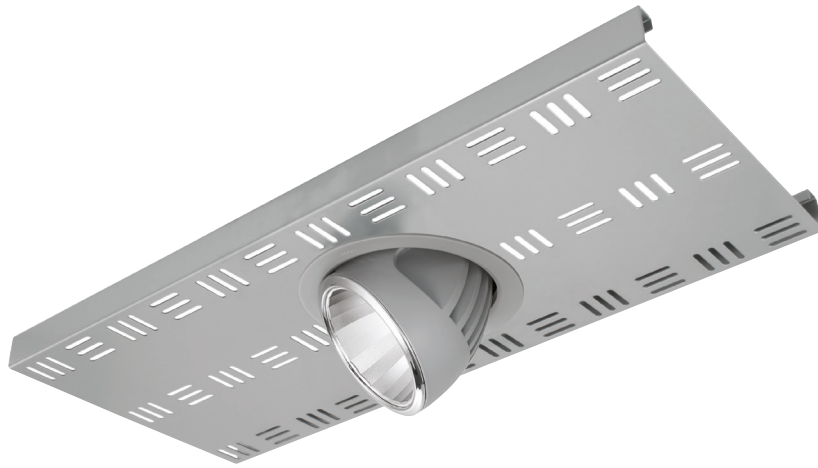
- A** LED Driver
- F** Digital Dim
- J** Switch Dim
- S** DALI Dim

3 Warm (3000K) **4** Neutral (4000K)

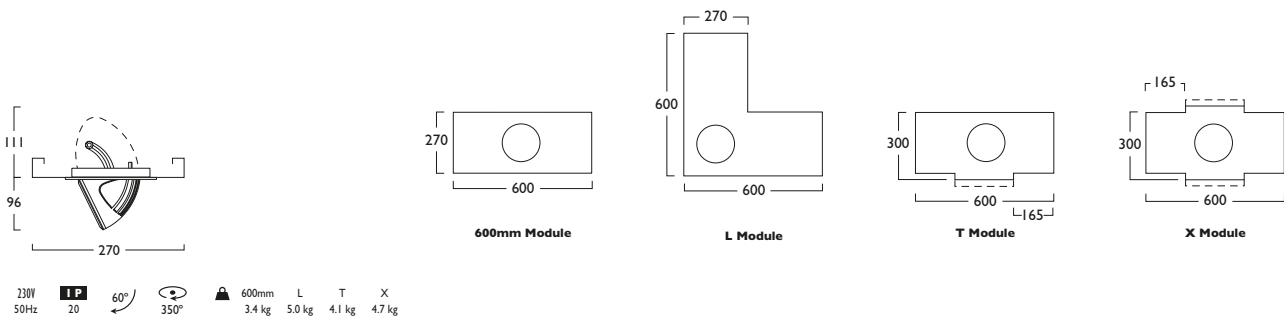
1 White (RAL 9010) **2** Urban Graphite (RAL 7046) **3** Black (RAL 9005)

Reflector	CRI	
	80	90
384 Narrow Beam	379	380
385 Wide Beam	381	382

Luminescent Halo, Baffle Options *Shown*

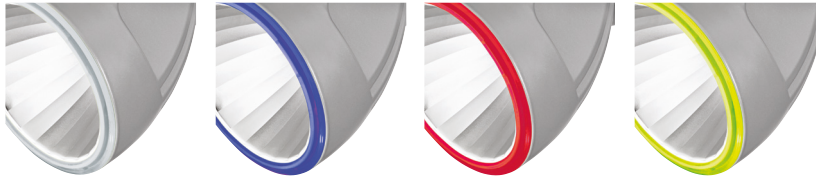


Network Aleda® Adjustable



Options

■ Luminescent Halo Options



473 Etched Ice

474 Neptune Blue

475 Mars Red

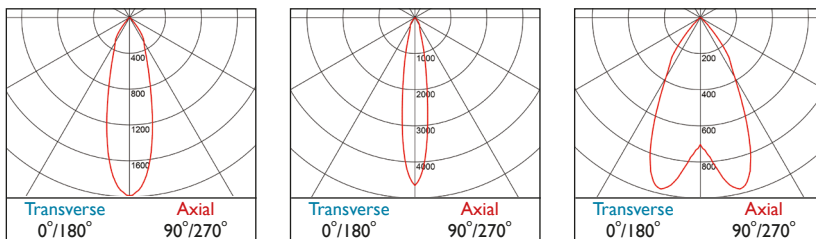
477 Acid Green

■ Baffle Option



478 Anti Glare Baffle

Photometrics



377-378 DLOR: 0.81

379-380 DLOR: 0.83

381-382 DLOR: 0.86