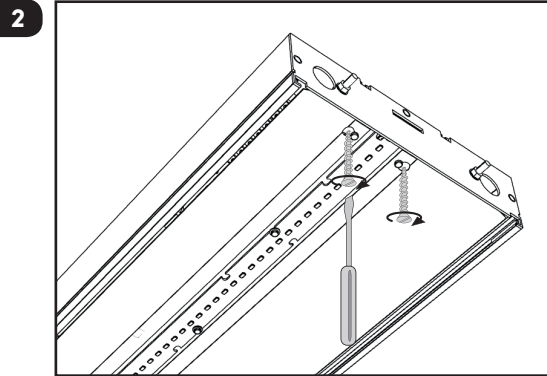
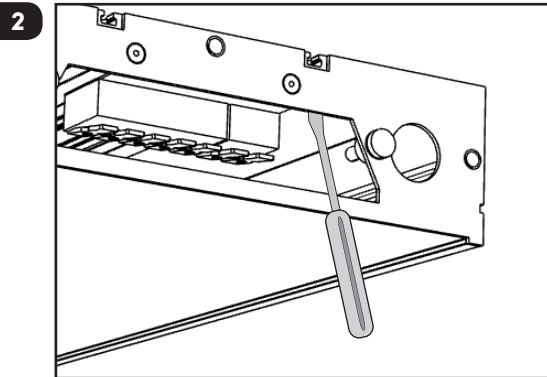


Surface Modules Cont.

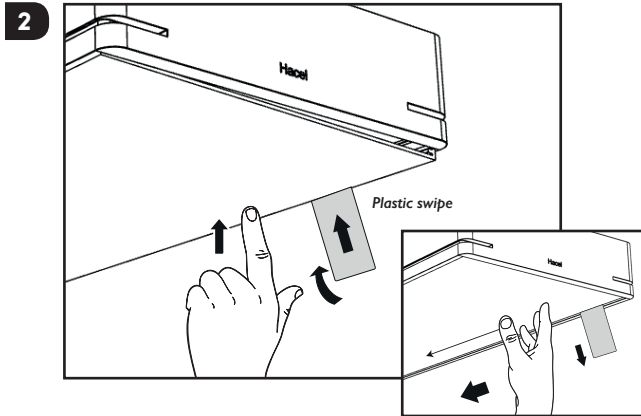
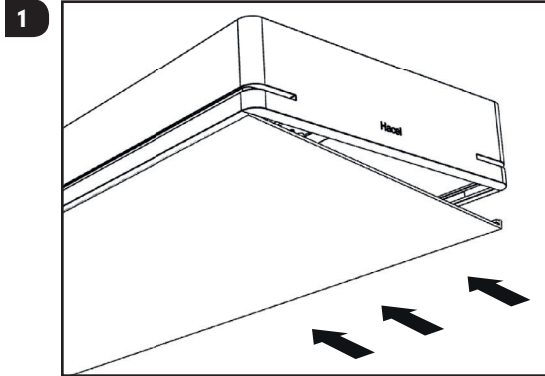
Modules



Spacer/Aleda Modules

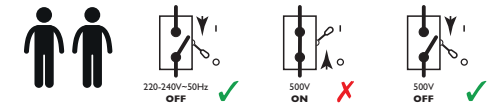


Installing Diffusers



IMPORTANT INFORMATION

Linear Light5 Link/Solo



IMPORTANT: Disconnect before High Voltage Insulation testing



- This Document and the Tool Kit must be left on site with the end user
- Disconnect electricity supply before installation
- To be installed by qualified personnel only
- The Linear Light5 Wiring Harness is rated at 16A, therefore several mains/dimming supplies may be required for larger systems
- When installing, Hacel recommends wearing disposable gloves to avoid fingerprinting to the paint work of the luminaire

Wiring Information

	Non Dim/Emergency	DALI Dim/Emergency	Switch Dim/Emergency	PIR/PIR DALI/Emergency
Black	L2 Unswitched Live (Emergency)	Unswitched Live (Emergency)	Unswitched Live (Emergency)	Unswitched Live (Emergency)
Brown	L1 Switched Live	Unswitched Live	Unswitched Live	Not used
Green/Yellow	E Earth	Earth	Earth	Earth
Blue	N Neutral	Neutral	Neutral	Neutral
Orange	L3 Not used	Not used	Not used	Unswitched PIR Live
Red	Not used	DALI 1	Switched Live (DIM)	Not used
White	Not used	DALI 2	Not used	Not used

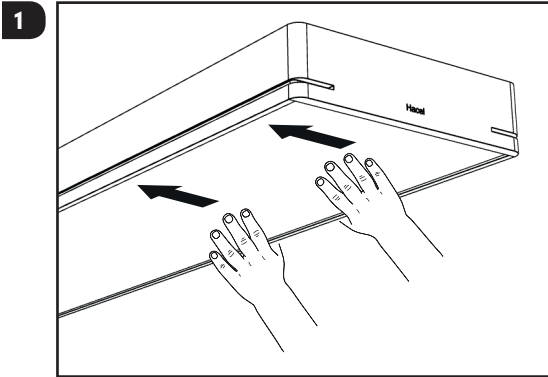
Hacel[®]
Fluent in Lighting

THE SILVERLINK, WALLSEND, NEWCASTLE UPON TYNE,
TYNE & WEAR, NE28 9ND

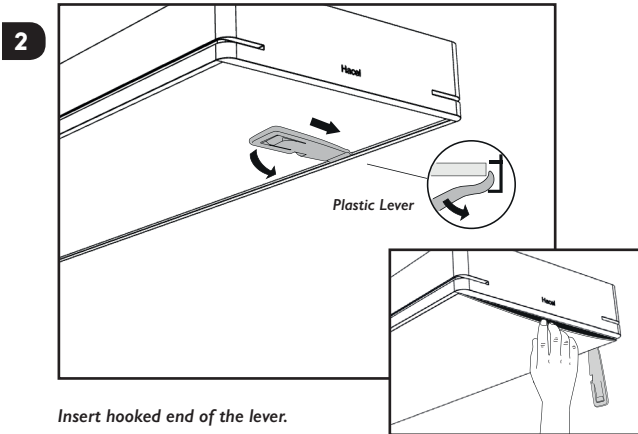
TECHNICAL: (0191) 280 9914 E-MAIL: technical@hacel.co.uk
WEB: www.hacel.co.uk

Removing Diffusers

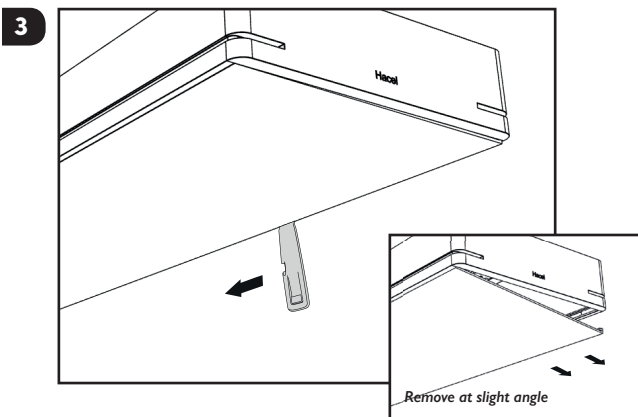
Module Diffusers



Push diffuser to create small gap between body.

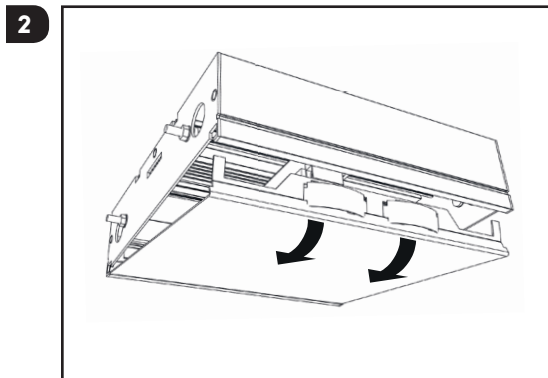
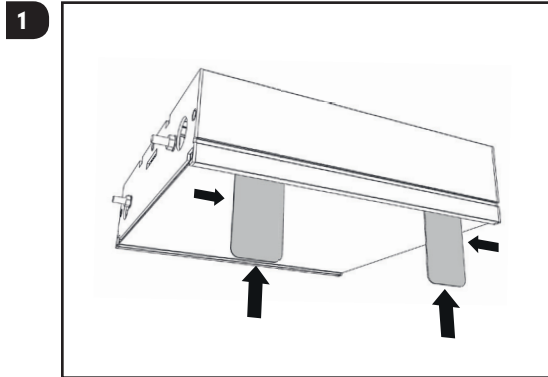


Insert hooked end of the lever.

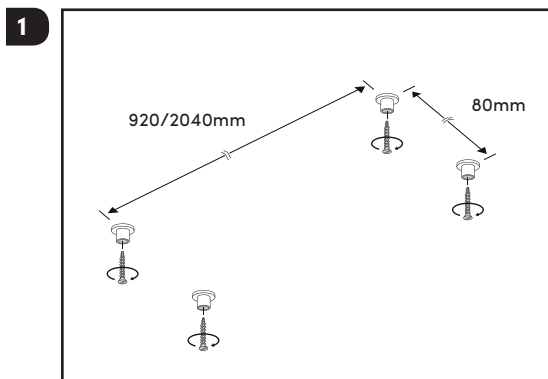


Remove at slight angle

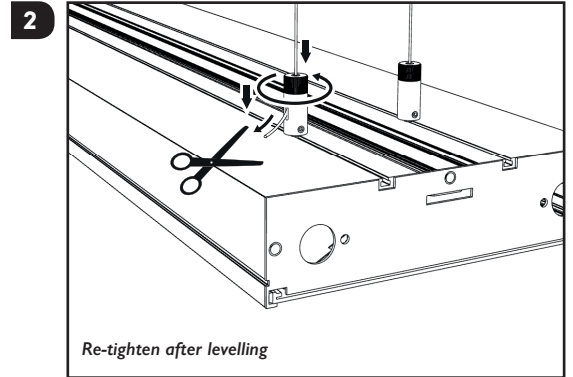
Spacer/Aleda, L, T, X Module Fascia's



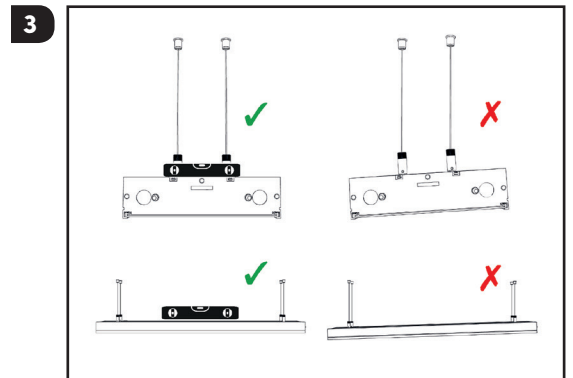
Suspended Modules



Suspended Modules Cont.



Re-tighten after levelling



Surface Modules

