

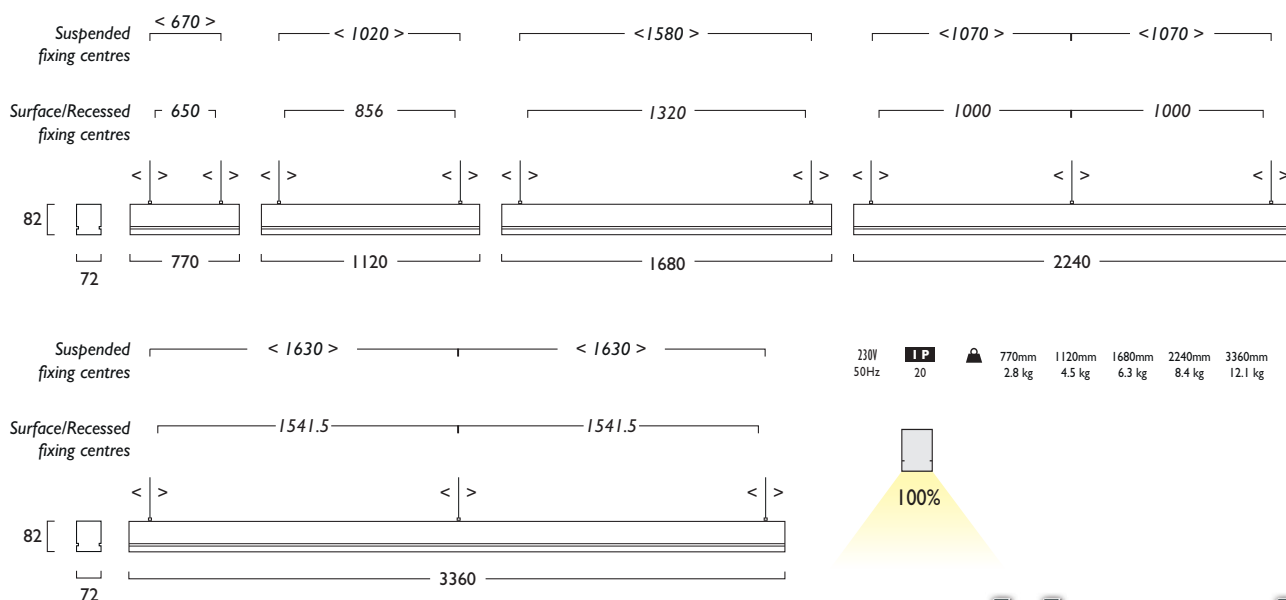
## Infinitas® Micro Direct

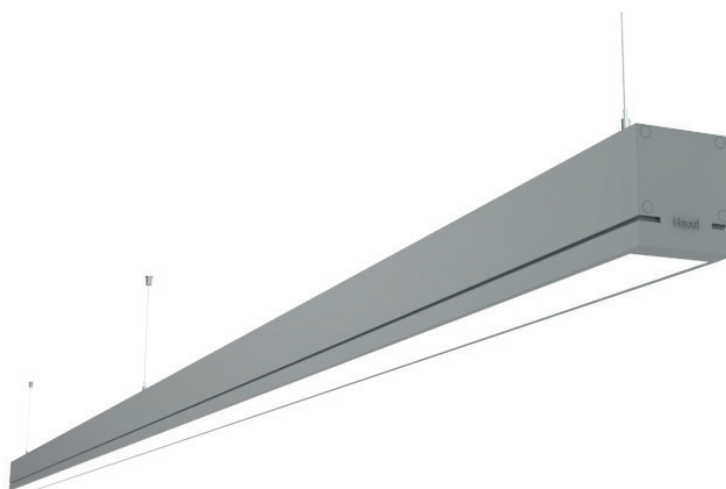
Infinitas® Micro by Hacel is a refined LED system. Designed and manufactured in the UK, Infinitas® Micro is sophisticated and minimal in its design. Precision extruded luminaires are available in Surface, Suspended or Recessed in both Bezel and Bezel free formats. As part of the Infinitas® range, creating continuous lines of uninterrupted uniform lighting, the flexibility of Infinitas® Micro is further enhanced by Direct and Indirect lighting variations and complete illuminated 90° corners are available, offering diversity in architectural lighting design.

Stylish solo modules are also available to compliment the continuous system.

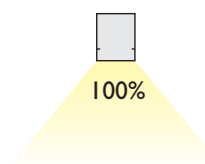
- Precision Extruded Aluminium luminaires in a choice of lengths
- Available in a choice of lumen outputs, delivering up to 11694 lumens
- Efficacies up to 127 lm/W
- Life expectancy of 51,000 hours (L80 B10), Zhaga Book 7 LED
- Available in High, Medium or Low Output Modules
- High and Medium outputs have an Opal polycarbonate refractor designed for maximum performance, TP(b) rated
- Low Output Modules have a MicroPrism refractor suitable for office and educational lighting, UGR <19
- Corporate colours made to special order
- Suspended luminaires are supplied complete with 2m Wire Suspensions (variable positioning)

## Suspended/Surface/Recessed Modules Fixing Centres (mm)





High Output



	CRI 80	15W	22W	34W	45W	67W
<b>3 Warm White LED (3000K)</b>						
Lumen Output		2559 lm	3721 lm	5582 lm	7442 lm	11163 lm
LOR		0.73	0.73	0.73	0.73	0.73
CRI		80	80	80	80	80
Total Power		16.9W	24.5W	36.7W	49.1W	73.4W
Power Factor		0.95	0.95	0.95	0.95	0.95
Running Current		0.08A	0.11A	0.17A	0.22A	0.34A
Inrush Current		23.3A (168us)	23.3A (168us)	25.0A (280us)	46.6A (168us)	50.0A (280us)
Efficacy		110 lm/W	110 lm/W	110 lm/W	110 lm/W	111 lm/W
Emergency Output (BLF)		N/A	446 (12%)	446 (8%)	446 (6%)	446 (4%)
<b>4 Neutral White LED (4000K)</b>						
Lumen Output		2680 lm	3898 lm	5847 lm	7796 lm	11694 lm
LOR		0.73	0.73	0.73	0.73	0.73
CRI		80	80	80	80	80
Total Power		16.9W	24.5W	36.7W	49.1W	73.4W
Power Factor		0.95	0.95	0.95	0.95	0.95
Running Current		0.08A	0.11A	0.17A	0.22A	0.34A
Inrush Current		23.3A (168us)	23.3A (168us)	25.0A (280us)	46.6A (168us)	50.0A (280us)
Efficacy		115 lm/W	116 lm/W	116 lm/W	115 lm/W	116 lm/W
Emergency Output (BLF)		N/A	467 (12%)	467 (8%)	467 (6%)	467 (4%)

## Infinitas® Micro Direct

High Output

LED	15W	22W	34W	45W	67W
LED	770mm	1120mm	1680mm	2240mm	3360mm
LED	1116	1120	1124	1128	1132
LED	15	22	34	45	67
+	510	511	512	513	514

Link Modules do not have a cable entry hole and require a Power Supply Module/s. Solo Modules include a 1.3mm cable entry hole.

770mm Not available in Emergency Gear Types

To ensure illumination uniformity High, Medium or Low Output Modules should **not** be mixed. Modules should **always** be matched within their output group.

## Infinitas® Micro Direct - Power Supply

High Output

LED	15W	22W	34W	45W	67W
LED	770mm	1120mm	1680mm	2240mm	3360mm
LED	1117	1121	1125	1129	1133
LED	15	22	34	45	67
+	510	511	512	513	514

Power Supply Modules include a 1.3mm cable entry hole and are only required for Link Systems.

Power Supplies are only available as Link Modules

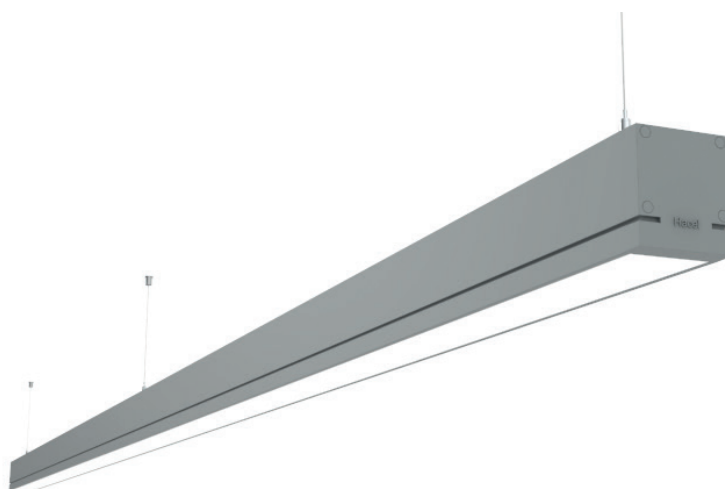
- IU** Link Suspended    **IW** Link Surface    **IY** Link Recessed Bezel    **IZ** Link Recessed Bezel Free
- IJ** Solo Suspended    **IL** Solo Surface    **IQ** Solo Recessed Bezel    **IR** Solo Recessed Bezel Free

- A** Integral Driver
- E** Emergency
- J** Switch Dim
- K** Switch Dim + Emergency
- S** DALI Dim
- T** DALI Dim + Emergency
- C** DALI Dim + DALI Emergency

- 3** Warm (3000K)    **4** Neutral (4000K)

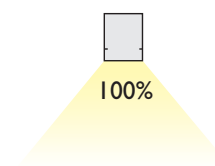
- I** White (RAL 9010)    **2** Urban Graphite (RAL 7046)    **3** Black (RAL 9005)

- 303** 2x 5m Suspensions (wires only) (560mm/1120mm/1680mm Modules)
- 344** 3x 5m Suspensions (wires only) (2240mm/3360mm Modules)



	CRI 80	11W	15W	23W	31W	46W
<b>3 Warm White LED (3000K)</b>						
Lumen Output	1862 lm	2708 lm	4062 lm	5416 lm	8124 lm	
LOR	0.73	0.73	0.73	0.73	0.73	
CRI	80	80	80	80	80	
Total Power	11.3W	16.4W	24.4W	32.7W	48.8W	
Power Factor	0.98	0.98	0.99	0.98	0.99	
Running Current	0.05A	0.07A	0.11A	0.15A	0.21A	
Inrush Current	32.0A (240us)	32.0A (240us)	30.0A (253us)	64.0A (240us)	60.0A (253us)	
Efficacy	120 lm/W	120 lm/W	121 lm/W	120 lm/W	121 lm/W	
Emergency Output (BLF)	N/A	487 (18%)	487 (12%)	487 (9%)	487 (6%)	
<b>4 Neutral White LED (4000K)</b>						
Lumen Output	1951 lm	2837 lm	4256 lm	5674 lm	8511 lm	
LOR	0.73	0.73	0.73	0.73	0.73	
CRI	80	80	80	80	80	
Total Power	11.3W	16.4W	24.4W	32.7W	48.8W	
Power Factor	0.98	0.98	0.99	0.98	0.99	
Running Current	0.05A	0.07A	0.11A	0.15A	0.21A	
Inrush Current	32.0A (240us)	32.0A (240us)	30.0A (253us)	64.0A (240us)	60.0A (253us)	
Efficacy	126 lm/W	126 lm/W	127 lm/W	126 lm/W	127 lm/W	
Emergency Output (BLF)	N/A	510 (18%)	510 (12%)	510 (9%)	510 (6%)	

Medium Output



## Infinitas® Micro Direct

Medium Output

LED	Icon 1	Icon 2	Icon 3	Icon 4	Icon 5	Icon 6	Icon 7	Icon 8
11W LED	770mm	1116	LED	11	+	510		
15W LED	1120mm	1120	LED	15	+	511		
23W LED	1680mm	1124	LED	23	+	512		
31W LED	2240mm	1128	LED	31	+	513		
46W LED	3360mm	1132	LED	46	+	514		

Link Modules do not have a cable entry hole and require a Power Supply Module/s. Solo Modules include a 13mm cable entry hole.

770mm Not available in Emergency Gear Types

To ensure illumination uniformity High, Medium or Low Output Modules should **not** be mixed. Modules should **always** be matched within their output group.

## Infinitas® Micro Direct - Power Supply

Medium Output

LED	Icon 1	Icon 2	Icon 3	Icon 4	Icon 5	Icon 6	Icon 7	Icon 8
11W LED	770mm	1117	LED	11	+	510		
15W LED	1120mm	1121	LED	15	+	511		
23W LED	1680mm	1125	LED	23	+	512		
31W LED	2240mm	1129	LED	31	+	513		
46W LED	3360mm	1133	LED	46	+	514		

Power Supply Modules include a 13mm cable entry hole and are only required for Link Systems.

Power Supplies are only available as Link Modules

- IU** Link Suspended    **IW** Link Surface    **IY** Link Recessed Bezel    **IZ** Link Recessed Bezel Free
- IJ** Solo Suspended    **IL** Solo Surface    **IQ** Solo Recessed Bezel    **IR** Solo Recessed Bezel Free

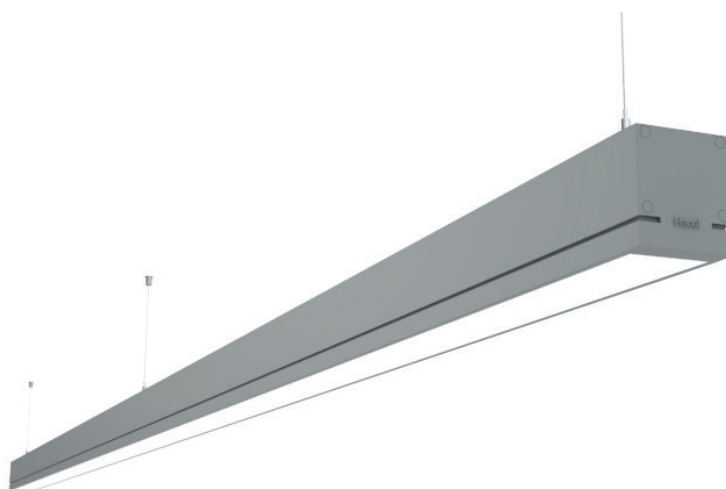
- A** Integral Driver
- E** Emergency
- J** Switch Dim
- K** Switch Dim + Emergency
- S** DALI Dim
- T** DALI Dim + Emergency
- C** DALI Dim + DALI Emergency

- 3** Warm (3000K)    **4** Neutral (4000K)

- 1** White (RAL 9010)    **2** Urban Graphite (RAL 7046)    **3** Black (RAL 9005)

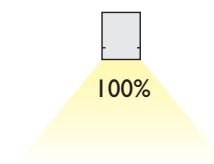
- 303** 2x 5m Suspensions (wires only) (560mm/1120mm/1680mm Modules)

- 344** 3x 5m Suspensions (wires only) (2240mm/3360mm Modules)



	CRI 80	Low Output				
		6W	9W	13W	17W	26W
<b>3 Warm White LED (3000K)</b>						
Lumen Output	1077 lm	1566 lm	2349 lm	3132 lm	4698 lm	
LOR	0.63	0.63	0.63	0.63	0.63	
CRI	80	80	80	80	80	
Total Power	6.4W	9.2W	13.7W	18.4W	27.3W	
Power Factor	0.98	0.98	0.99	0.98	0.99	
Running Current	0.03A	0.04A	0.06A	0.08A	0.12A	
Inrush Current	29.0A (180us)	32.0A (240us)	30.0A (253us)	64.0A (240us)	60.0A (253us)	
Efficacy	106 lm/W	107 lm/W	108 lm/W	107 lm/W	108 lm/W	
Emergency Output (BLF)	N/A	501 (32%)	493 (21%)	501 (16%)	469 (10%)	
<b>4 Neutral White LED (4000K)</b>						
Lumen Output	1128 lm	1641 lm	2462 lm	3282 lm	4923 lm	
LOR	0.63	0.63	0.63	0.63	0.63	
CRI	80	80	80	80	80	
Total Power	6.4W	9.2W	13.7W	18.4W	27.3W	
Power Factor	0.98	0.98	0.99	0.98	0.99	
Running Current	0.03A	0.04A	0.06A	0.08A	0.12A	
Inrush Current	29.0A (180us)	32.0A (240us)	30.0A (253us)	64.0A (240us)	60.0A (253us)	
Efficacy	111 lm/W	112 lm/W	113 lm/W	112 lm/W	113 lm/W	
Emergency Output (BLF)	N/A	525 (32%)	516 (21%)	525 (16%)	492 (10%)	

Low Output



## Infinitas® Micro Direct

Low Output

LED	6W	9W	13W	17W	26W
LED	770mm	1120mm	1680mm	2240mm	3360mm
LED	1116	1120	1124	1128	1132
LED	06	09	13	17	26
	515	516	517	518	519

Link Modules do not have a cable entry hole and require a Power Supply Module/s. Solo Modules include a 1.3mm cable entry hole.

770mm Not available in Emergency Gear Types

To ensure illumination uniformity High, Medium or Low Output Modules should **not** be mixed. Modules should **always** be matched within their output group.

## Infinitas® Micro Direct - Power Supply

Low Output

LED	6W	9W	13W	17W	26W
LED	770mm	1120mm	1680mm	2240mm	3360mm
LED	1117	1121	1125	1129	1133
LED	06	09	13	17	26
	515	516	517	518	519

Power Supply Modules include a 1.3mm cable entry hole and are only required for Link Systems.

Power Supplies are only available as Link Modules

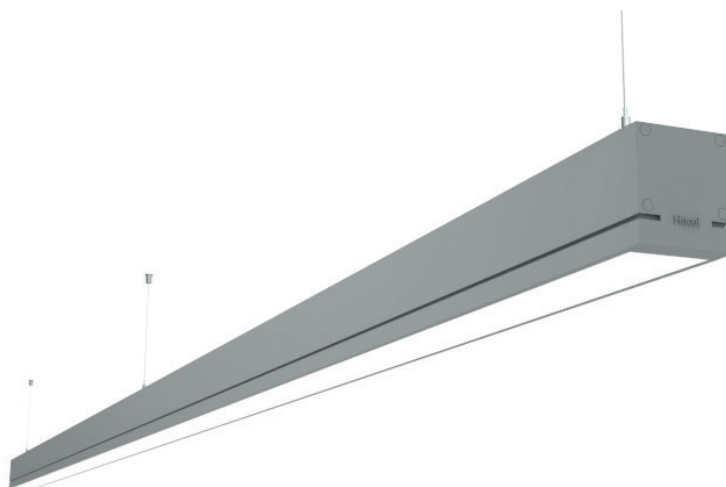
- IU** Link Suspended    **IW** Link Surface    **IY** Link Recessed Bezel    **IZ** Link Recessed Bezel Free
- IJ** Solo Suspended    **IL** Solo Surface    **IQ** Solo Recessed Bezel    **IR** Solo Recessed Bezel Free

- A** Integral Driver
- E** Emergency
- J** Switch Dim
- K** Switch Dim + Emergency
- S** DALI Dim
- T** DALI Dim + Emergency
- C** DALI Dim + DALI Emergency

- 3** Warm (3000K)    **4** Neutral (4000K)

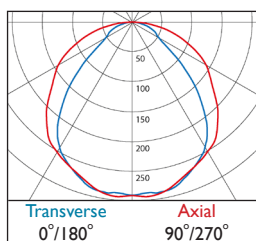
- 1** White (RAL 9010)    **2** Urban Graphite (RAL 7046)    **3** Black (RAL 9005)

- 303** 2x 5m Suspensions (wires only) (560mm/1120mm/1680mm Modules)
- 344** 3x 5m Suspensions (wires only) (2240mm/3360mm Modules)

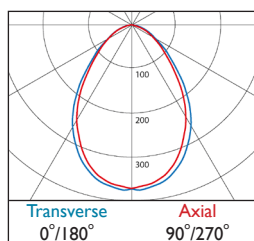


## Infinitas® Micro Direct

### Photometrics



**510-514** DLOR: 0.73



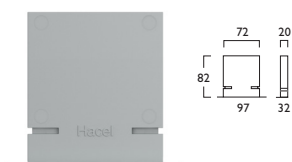
**515-519** DLOR: 0.63

## Infinitas® Micro Direct - End Caps

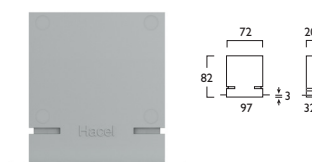
				
2x End Caps	Surface/Suspended	IN1110	X CAP000	—
2x End Caps	Recessed Bezel	IN1111	X CAP000	—
2x End Caps	Recessed Bezel Free	IN1112	X CAP000	—



Surface/Suspended



Recessed Bezel



Recessed Bezel Free