

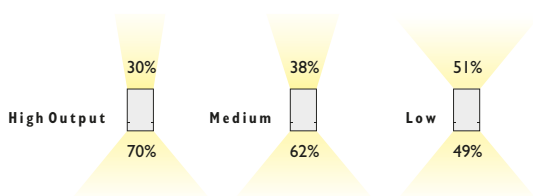
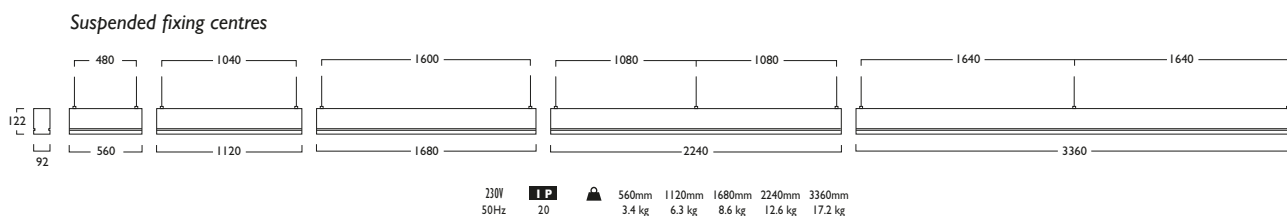
## Infinitas® Direct Indirect

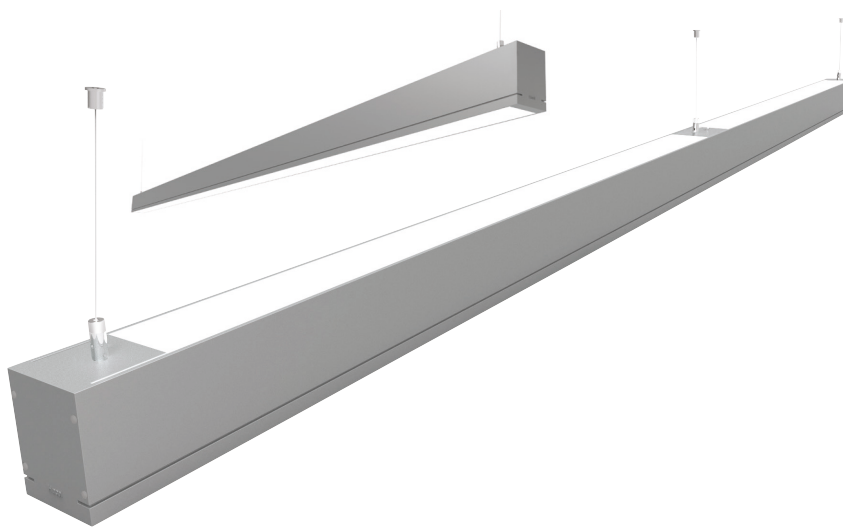
Infinitas® by Hacer is a refined LED system. Sleek and slender in its design, the system is precision extruded and offers continuous lines of uninterrupted uniform lighting. Optional accent luminaires further enhance the versatility of Infinitas®. Completely illuminated corners further enhance the Infinitas® range.

Stylish solo modules are also available to compliment the continuous system.

- Zhaga Book 7 LED
- Available in High, Medium or Low Output Modules
- Offering a choice of lumen outputs, delivering up to 14988 lumens
- Efficacies up to 104 lm/W
- Opal polycarbonate refractor designed for maximum performance, Refractor TP(b) rated
- Features efficient uplighting functionality
- Life expectancy in excess of 51,000 hours (L80 B10)
- Low Output Modules suitable for office and educational lighting, UGR <19
- Available in suspended format only, supplied with 2m Wire Suspensions as standard

## Suspended Modules Fixing Centres (mm)





High Output

3 Warm White LED (3000K)	CRI 80	17W	33W	50W	66W	99W
Lumen Output		2397 lm	4794 lm	7191 lm	9588 lm	14382 lm
LOR		0.63	0.63	0.63	0.63	0.63
CRI		80	80	80	80	80
Total Power		18.0W	35.9W	50.7W	71.0W	101.3W
Power Factor		0.95	0.95	0.95	0.95	0.95
Running Current		0.08A	0.16A	0.23A	0.33A	0.46A
Inrush Current		46.0A (250us)	46.0A (250us)	65.0A (250us)	82.0A (250us)	96.0A (253us)
Efficacy		83 lm/W	84 lm/W	89 lm/W	85 lm/W	89 lm/W
Emergency Output (BLF)		N/A	381 (11%)*	363 (7%)*	346 (5%)*	415 (4%)*

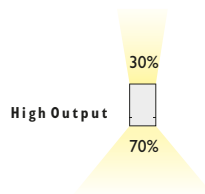
4 Neutral White LED (4000K)	CRI 80	17W	33W	50W	66W	99W
Lumen Output		2498 lm	4996 lm	7494 lm	9991 lm	14988 lm
LOR		0.63	0.63	0.63	0.63	0.63
CRI		80	80	80	80	80
Total Power		18.0W	35.9W	50.7W	71.0W	101.3W
Power Factor		0.95	0.95	0.95	0.95	0.95
Running Current		0.08A	0.16A	0.23A	0.33A	0.46A
Inrush Current		46.0A (250us)	46.0A (250us)	65.0A (250us)	82.0A (250us)	96.0A (253us)
Efficacy		87 lm/W	87 lm/W	93 lm/W	88 lm/W	93 lm/W
Emergency Output (BLF)		N/A	398 (11%)*	379 (7%)*	361 (5%)*	434 (4%)*

\* % of Direct illumination

## Infinitas® Direct Indirect

High Output

LED	17W	33W	50W	66W	99W
LED	560mm	1120mm	1680mm	2240mm	3360mm
LED	385	386	387	388	389
LED	17	33	50	66	99
	+	+	+	+	+
	393	394	395	396	397



560mm Not available in Emergency Gear Types

To ensure illumination uniformity High, Medium or Low Output Modules should **not** be mixed. Modules should **always** be matched within their output group.

IV Link Suspended (Direct/Indirect)

IK Solo Suspended (Direct/Indirect)

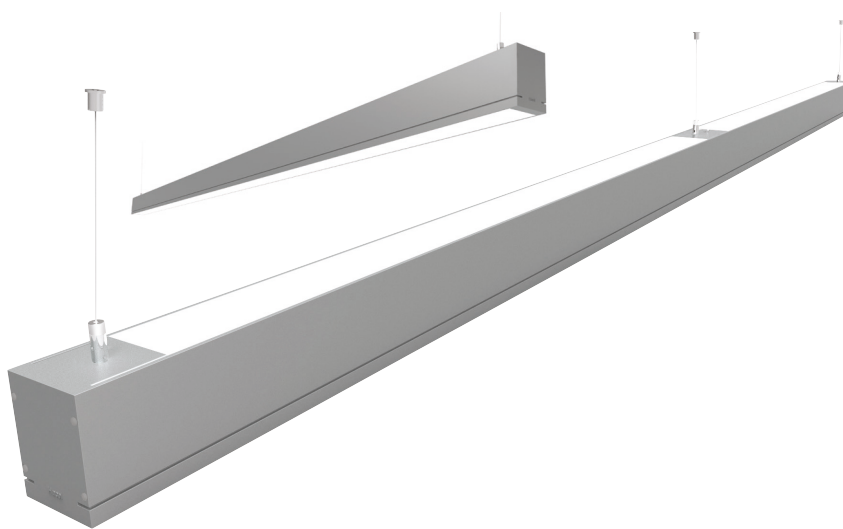
- A Integral Driver
- E Emergency
- J Switch Dim
- K Switch Dim + Emergency
- S DALI Dim
- T DALI Dim + Emergency
- C DALI Dim + DALI Emergency

3 Warm (3000K) 4 Neutral (4000K)

1 White (RAL 9010) 2 Urban Graphite (RAL 7046) 3 Black (RAL 9005)

303 2x 5m Suspensions (wires only) (560mm/1120mm/1680mm Modules)

344 3x 5m Suspensions (wires only) (2240mm/3360mm Modules)



Medium Output

3 Warm White LED (3000K)	CRI 80	12W	24W	36W	48W	73W
Lumen Output		1944 lm	3888 lm	5832 lm	7776 lm	11664 lm
LOR		0.63	0.63	0.63	0.63	0.63
CRI		80	80	80	80	80
Total Power		13.9W	26.9W	39.1W	52.9W	78.1W
Power Factor		0.85	0.95	0.95	0.95	0.95
Running Current		0.07A	0.12A	0.18A	0.25A	0.35A
Inrush Current		29.0A (126us)	42.0A (126us)	55.3A (240us)	74.0A (240us)	76.6A (253us)
Efficacy		88 lm/W	91 lm/W	93 lm/W	92 lm/W	94 lm/W
Emergency Output (BLF)		N/A	409 (16%)*	422 (11%)*	409 (8%)*	384 (5%)*

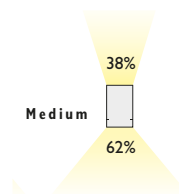
4 Neutral White LED (4000K)	CRI 80	12W	24W	36W	48W	73W
Lumen Output		2025 lm	4050 lm	6075 lm	8100 lm	12150 lm
LOR		0.63	0.63	0.63	0.63	0.63
CRI		80	80	80	80	80
Total Power		13.9W	26.9W	39.1W	52.9W	78.1W
Power Factor		0.85	0.95	0.95	0.95	0.95
Running Current		0.07A	0.12A	0.18A	0.25A	0.35A
Inrush Current		29.0A (126us)	42.0A (126us)	55.3A (240us)	74.0A (240us)	76.6A (253us)
Efficacy		91 lm/W	94 lm/W	97 lm/W	96 lm/W	98 lm/W
Emergency Output (BLF)		N/A	427 (16%)*	440 (11%)*	427 (8%)*	400 (5%)*

\* % of Direct illumination

## Infinitas® Direct Indirect

Medium Output

LED	12W	24W	36W	48W	73W
LED	560mm	1120mm	1680mm	2240mm	3360mm
LED	385	386	387	388	389
LED	12	24	36	48	73
+	403	404	405	406	407



560mm Not available in Emergency Gear Types

To ensure illumination uniformity High, Medium or Low Output Modules should **not** be mixed. Modules should **always** be matched within their output group.

**IV** Link Suspended (Direct/Indirect)

**IK** Solo Suspended (Direct/Indirect)

**A** Integral Driver

**E** Emergency

**J** Switch Dim

**K** Switch Dim + Emergency

**S** DALI Dim

**T** DALI Dim + Emergency

**C** DALI Dim + DALI Emergency

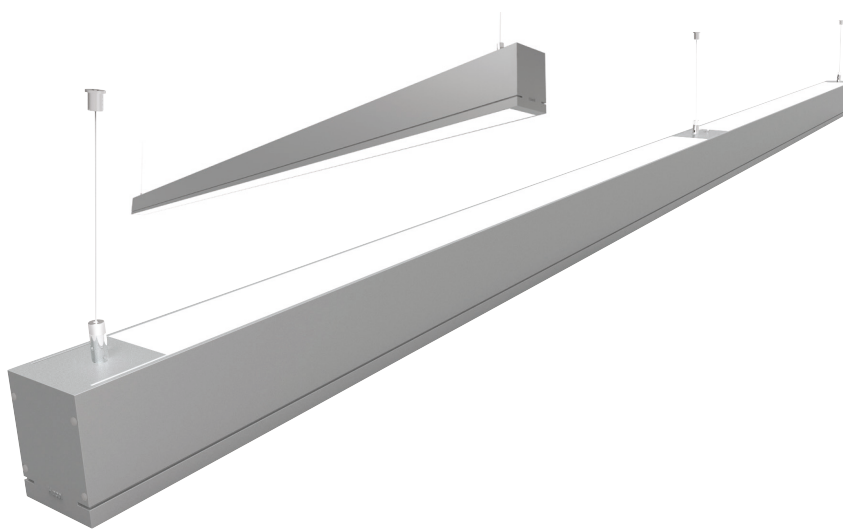
**3** Warm (3000K) **4** Neutral (4000K)

**1** White (RAL 9010) **2** Urban Graphite (RAL 7046) **3** Black (RAL 9005)

**303** 2x 5m Suspensions (wires only) (560mm/1120mm/1680mm Modules)

**344** 3x 5m Suspensions (wires only) (2240mm/3360mm Modules)

Tel: (0191) 280 9911 Email: [technical@hacel.co.uk](mailto:technical@hacel.co.uk) Web: [www.hacel.co.uk](http://www.hacel.co.uk)



Low Output

3 Warm White LED (3000K)	CRI 80	8W	17W	25W	33W	50W
Lumen Output		1328 lm	2656 lm	3984 lm	5312 lm	7968 lm
LOR		0.63	0.63	0.63	0.63	0.63
CRI		80	80	80	80	80
Total Power		8.8W	17.6W	25.0W	34.3W	50.3W
Power Factor		0.95	0.95	0.98	0.95	0.98
Running Current		0.04A	0.08A	0.12A	0.16A	0.22A
Inrush Current		42.0A (126us)	42.0A (126us)	64.0A (240us)	74.0A (240us)	94.0A (253us)
Efficacy		95 lm/W	95 lm/W	100 lm/W	97 lm/W	99 lm/W
Emergency Output (BLF)		N/A	451 (34%)*	478 (24%)*	451 (17%)*	438 (11%)*

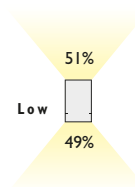
4 Neutral White LED (4000K)	CRI 80	8W	17W	25W	33W	50W
Lumen Output		1378 lm	2756 lm	4134 lm	5512 lm	8268 lm
LOR		0.63	0.63	0.63	0.63	0.63
CRI		80	80	80	80	80
Total Power		8.8W	17.6W	25.0W	34.3W	50.3W
Power Factor		0.95	0.95	0.98	0.95	0.98
Running Current		0.04A	0.08A	0.12A	0.16A	0.22A
Inrush Current		42.0A (126us)	42.0A (126us)	64.0A (240us)	74.0A (240us)	94.0A (253us)
Efficacy		98 lm/W	98 lm/W	104 lm/W	100 lm/W	103 lm/W
Emergency Output (BLF)		N/A	468 (34%)*	496 (24%)*	468 (17%)*	454 (11%)*

\* % of Direct illumination

## Infinitas® Direct Indirect

Low Output

LED	8W	17W	25W	33W	50W
LED	560mm	1120mm	1680mm	2240mm	3360mm
LED	385	386	387	388	389
LED	08	17	25	33	50
LED	408	409	410	411	412



560mm Not available in Emergency Gear Types

To ensure illumination uniformity High, Medium or Low Output Modules should **not** be mixed. Modules should **always** be matched within their output group.

IV Link Suspended (Direct/Indirect)

IK Solo Suspended (Direct/Indirect)

- A Integral Driver
- E Emergency
- J Switch Dim
- K Switch Dim + Emergency
- S DALI Dim
- T DALI Dim + Emergency
- C DALI Dim + DALI Emergency

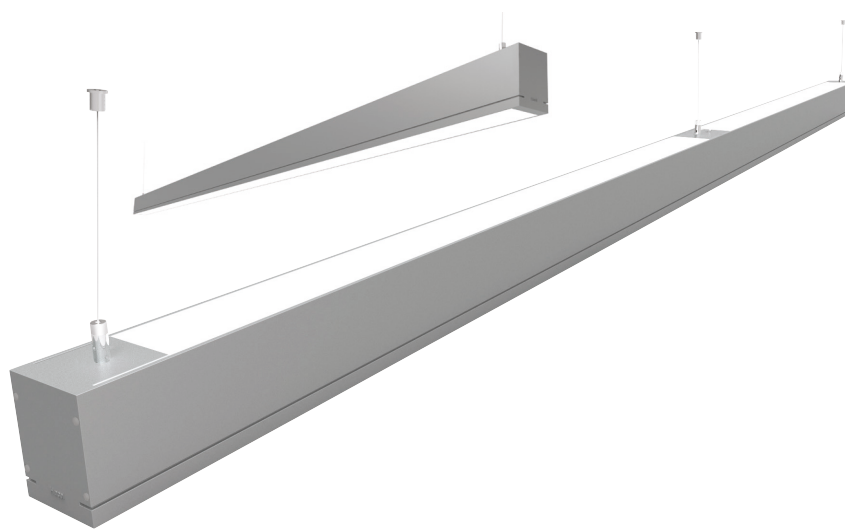
3 Warm (3000K) 4 Neutral (4000K)

I White (RAL 9010) 2 Urban Graphite (RAL 7046) 3 Black (RAL 9005)

303 2x 5m Suspensions (wires only) (560mm/1120mm/1680mm Modules)

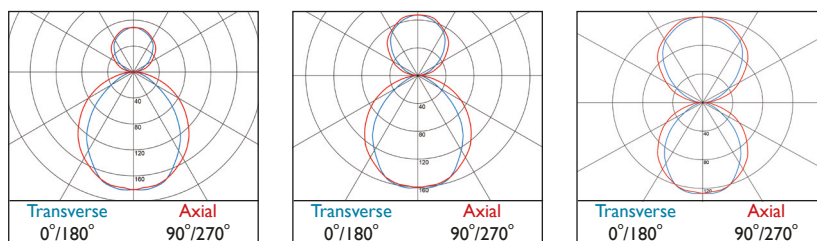
344 3x 5m Suspensions (wires only) (2240mm/3360mm Modules)

Tel: (0191) 280 9911 Email: technical@hacel.co.uk Web: www.hacel.co.uk



## Infinitas® Direct Indirect

### Photometrics



## Infinitas® End Caps

2x End Caps    Suspended    IN370  CAP000



Suspended