



	CRI 80				CRI 90			
	12W	17W	24W	31W	12W	17W	24W	31W
3 Warm White LED (3000K)								
Lumen Output	1945 lm	2715 lm	3838 lm	4823 lm	1648 lm	2299 lm	3251 lm	4085 lm
LOR	0.81	0.81	0.81	0.81	0.81	0.81	0.81	0.81
CRI	80	80	80	80	90	90	90	90
Total Power	13.2W	18.8W	25.5W	33.5W	13.2W	18.8W	25.5W	33.5W
Power Factor	0.90	0.93	0.95	0.96	0.90	0.93	0.95	0.96
Running Current	0.06A	0.09A	0.12A	0.15A	0.06A	0.09A	0.12A	0.15A
Inrush Current	8.0A (80us)	8.0A (80us)	10.0A (100us)	10.0A (100us)	8.0A (80us)	8.0A (80us)	10.0A (100us)	10.0A (100us)
Efficacy	117 lm/W	116 lm/W	121 lm/W	116 lm/W	101 lm/W	99 lm/W	103 lm/W	98 lm/W
Emergency Output (BLF)	N/A	N/A	N/A	N/A	N/A	N/A	N/A	N/A
4 Neutral White LED (4000K)								
Lumen Output	2028 lm	2830 lm	4002 lm	5029 lm	1767 lm	2465 lm	3486 lm	4380 lm
LOR	0.81	0.81	0.81	0.81	0.81	0.81	0.81	0.81
CRI	80	80	80	80	90	90	90	90
Total Power	13.2W	18.8W	25.5W	33.5W	13.2W	18.8W	25.5W	33.5W
Power Factor	0.90	0.93	0.95	0.96	0.90	0.93	0.95	0.96
Running Current	0.06A	0.09A	0.12A	0.15A	0.06A	0.09A	0.12A	0.15A
Inrush Current	8.0A (80us)	8.0A (80us)	10.0A (100us)	10.0A (100us)	8.0A (80us)	8.0A (80us)	10.0A (100us)	10.0A (100us)
Efficacy	124 lm/W	121 lm/W	127 lm/W	121 lm/W	108 lm/W	106 lm/W	110 lm/W	105 lm/W
Emergency Output (BLF)	N/A	N/A	N/A	N/A	N/A	N/A	N/A	N/A

Table applies to one LED Light Engine

Aleda® Ported Adjustable Duet



LED CRI 80

Power	Beam	LED	Model	LED	Beam	Power
2x 12W	LED	Duet	BX398	LED	12	377
2x 17W	LED	Duet	BX398	LED	17	377
2x 24W	LED	Duet	BX398	LED	24	377
2x 31W	LED	Duet	BX398	LED	31	377

LED CRI 90

Power	Beam	LED	Model	LED	Beam	Power
2x 12W	LED	Duet	BX399	LED	12	378
2x 17W	LED	Duet	BX399	LED	17	378
2x 24W	LED	Duet	BX399	LED	24	378
2x 31W	LED	Duet	BX399	LED	31	378

- LED multi head styling neatly integrated into semi recessed design
- Single point Zhaga Book 3 LED
- Choice of lumen outputs, delivering up to 5029 lumens per Aleda® head
- Efficacies up to 127 lm/W
- Life expectancy in excess of 60,000 hours (L70 B10)
- CRI 80 and CRI 90 versions available, colour stability within 3 MacAdams
- White, Black, Urban Graphite Bezel colour options.
- Inner recess and Aleda® luminaire(s) finished in Black (colour options available on request)

Gear type F must be operated through a DSI

- A** Integral Driver
- F** Digital Dim
- J** Switch Dim
- S** DALI Dim

3 Warm (3000K) 4 Neutral (4000K)

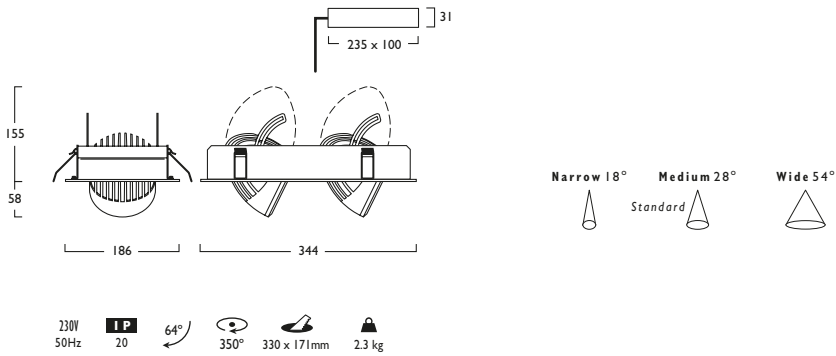
1 White (RAL 9010) 2 Urban Graphite (RAL 7046) 3 Black (RAL 9005)

Reflector	CRI 80	CRI 90
480 2x Narrow Beam	379	380
481 2x Wide Beam	381	382

Luminescent Halo, Baffle Options Shown

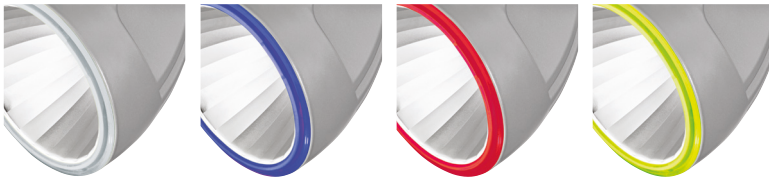


Aleda® Ported Adjustable Duet



Options

■ Luminescent Halo Options



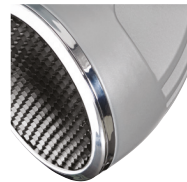
486 2x Etched Ice

487 2x Neptune Blue

488 2x Mars Red

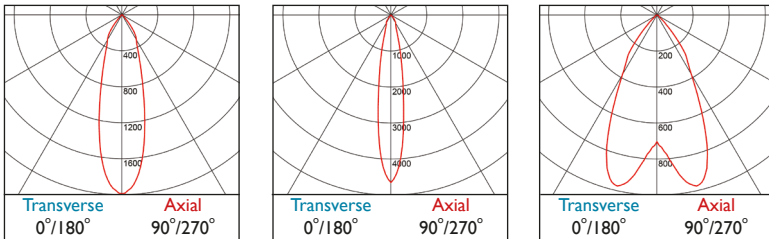
489 2x Acid Green

■ Baffle Option



490 2x Anti Glare Baffle

Photometrics



377-378 DLOR: 0.81

379-380 DLOR: 0.83

381-382 DLOR: 0.86