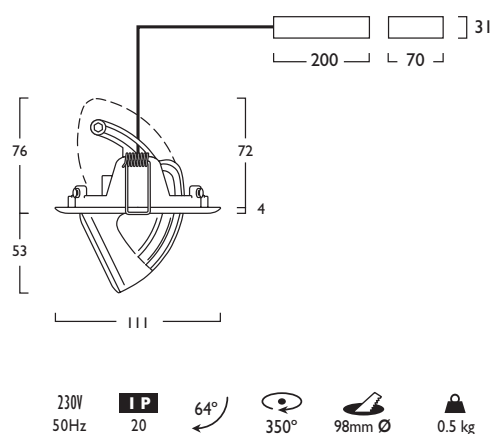




| 3 Warm White LED (3000K) | CRI 80 7W | CRI 90 7W |
|--------------------------|----------------|----------------|
| Lumen Output | 1091 lm | 924 lm |
| LOR | 0.88 | 0.88 |
| CRI | 80 | 90 |
| Total Power | 7.9W | 7.9W |
| Power Factor | 0.92 | 0.92 |
| Running Current | 0.04A | 0.04A |
| Inrush Current | 17.0A (231 us) | 17.0A (231 us) |
| Efficacy | 121 lm/W | 102 lm/W |
| Emergency Output (BLF) | N/A | N/A |

| 4 Neutral White LED (4000K) | CRI 80 7W | CRI 90 7W |
|-----------------------------|----------------|----------------|
| Lumen Output | 1137 lm | 990 lm |
| LOR | 0.88 | 0.88 |
| CRI | 80 | 90 |
| Total Power | 7.9W | 7.9W |
| Power Factor | 0.92 | 0.92 |
| Running Current | 0.04A | 0.04A |
| Inrush Current | 17.0A (231 us) | 17.0A (231 us) |
| Efficacy | 126 lm/W | 110 lm/W |
| Emergency Output (BLF) | N/A | N/A |



230V 50Hz IP 20 64° 350° 98mm Ø 0.5 kg



Aleda® Micro Adjustable

- LED CRI 80**
 7W LED ID475 - LED - 07 - + 436
- LED CRI 90**
 7W LED ID476 - LED - 07 - + 439

- Quality engineering, smooth and precise pan and tilt adjustment
- Efficacies up to 126 lm/W
- Available in a choice of lumen outputs, delivering up to 1137 lumens
- Single point Zhaga Book 3 LED
- A choice of lumen outputs in CRI 80 and CRI 90 versions
- Medium beam reflector as standard
- Life expectancy in excess of 60,000 hours (L70 B10)
- Colour stability within 3 MacAdams

Gear types F & G must be operated through a DSI

- A** Integral Driver
 - F** Digital Dim
 - J** Switch Dim
 - S** DALI Dim
- 3 Warm (3000K) 4 Neutral (4000K)
- 1 White (RAL 9010) 2 Urban Graphite (RAL 7046) 3 Black (RAL 9005)

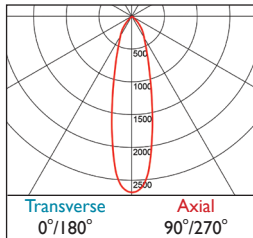
| Reflector | CRI 80 | CRI 90 |
|-----------------|--------|--------|
| 531 Narrow Beam | 437 | 440 |
| 532 Wide Beam | 438 | 441 |

Luminescent Halo, Baffle Options *Shown*

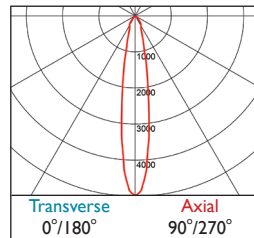


Aleda® Micro Adjustable

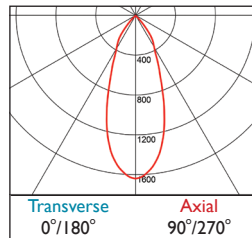
Photometrics



436/439 DLOR: 0.88



437/440 DLOR: 0.90



438/441 DLOR: 0.88