

ALUMINIUM RECTANGULAR DOWNPIPES & ALUMINIUM SQUARE DOWNPIPES

A Range Of Square and Rectangular Rainwater Pipes, Standard with External Collars and Pipe Clips.

Available with as an Internal Jointed Downpipe / Flush Joint Downpipe.

Can be a Flush Fit Downpipe. Concealed Pipe Brackets or Telescopic Downpipe Brackets Available. A Vandal Resistant Downpipe and Anti Climb Downpipe if Required.



75 x 50

75 x 75

100 x 75

100 x 100

150 x 100

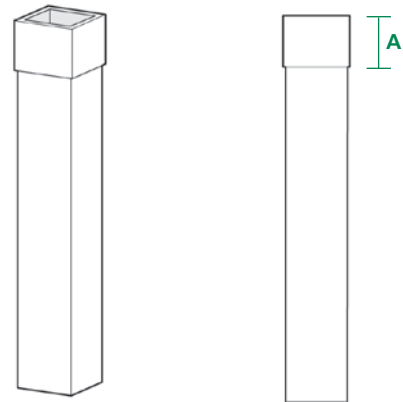
150 x 150

IF YOU DONT SEE WHAT YOU WANT - PLEASE ASK

SQUARE & RECTANGULAR DOWNPIPES AND FITTINGS

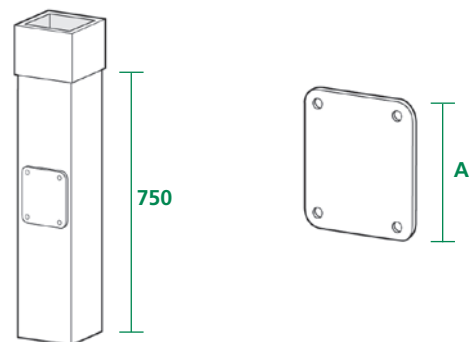
SQUARE & RECTANGULAR DOWNPIPES

Pipe (mm)	3mtr	1.5mtr	1mtr	Other Specify length	Wall Thickness	A
75 x 50	RW32/1	RW32/4	RW32/5	RW32/6	1.6	50
75 x 75	RW33/1	RW33/4	RW33/5	RW33/6	1.6	50
100 x 75	RW43/1	RW43/4	RW43/5	RW43/6	2	60
100 x 100	RW44/1	RW44/4	RW44/5	RW44/6	2	60
150 x 100	RW64/1	RW64/4	RW64/5	RW64/6	2.5	80
150 x 150	RW66/1	RW66/4	RW66/5	RW66/6	3	80



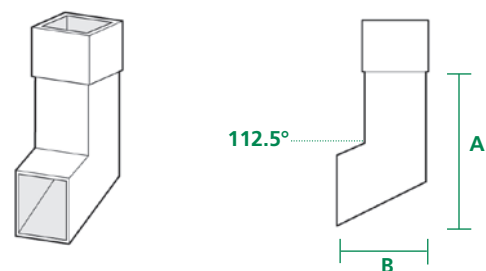
ACCESS PIPES & PLATES

Pipe (mm)	Access Pipe complete with plate	Access Plate	A
75 x 50	RW32/8	RW32/9	100
75 x 75	RW33/8	RW33/9	100
100 x 75	RW43/8	RW43/9	130
100 x 100	RW44/8	RW44/9	130
150 x 100	RW64/8	RW64/9	200
150 x 150	RW66/8	RW66/9	200



SHOES

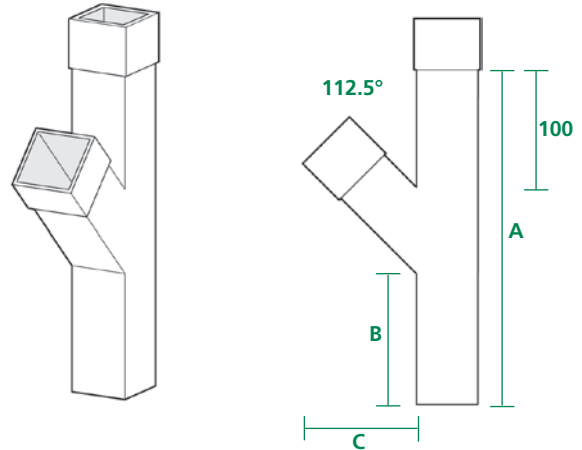
Pipe (mm)	Shoe	A	B
75 x 50	RW32/10	130	80
75 x 75	RW33/10	155	105
100 x 75	RW43/10	155	105
100 x 100	RW44/10	180	130
150 x 100	RW64/10	180	130
150 x 150	RW66/10	235	180



SQUARE & RECTANGULAR DOWNPIPES AND FITTINGS

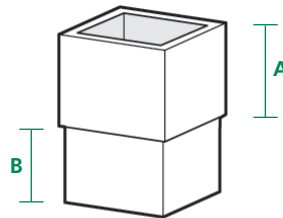
BRANCHES

Pipe (mm)	Branch	A	B	C
75 x 50	RW32/11	335	150	120
75 x 75	RW33/11	335	150	120
100 x 75	RW43/11	360	150	140
100 x 100	RW44/11	360	150	140
150 x 100	RW64/11	410	150	175
150 x 150	RW66/11	410	150	175



CONNECTORS

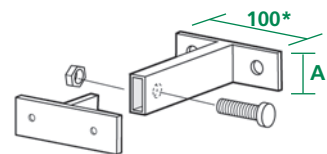
Pipe (mm)	Connector	A	B
75 x 50	RW32/12	50	50
75 x 75	RW33/12	50	50
100 x 75	RW43/12	60	50
100 x 100	RW44/12	60	50
150 x 100	RW64/12	80	60
150 x 150	RW66/12	80	60



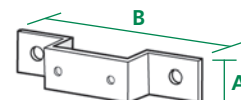
Ground adaptors available

PIPE CLIPS

Pipe (mm)	Pipe Clip	Max 100T Bkt	Max 200T Bkt	Max 300T Bkt	A	B
75 x 50	RW32/16	RW32/17	RW32/18	RW32/19	40	165
75 x 75	RW33/16	RW33/17	RW33/18	RW33/19	40	165
100 x 75	RW43/16	RW43/17	RW43/18	RW43/19	40	185
100 x 100	RW44/16	RW44/17	RW44/18	RW44/19	40	185
150 x 100	RW64/16	RW64/17	RW64/18	RW64/19	40	245
150 x 150	RW66/16	RW66/17	RW66/18	RW66/19	40	245



*(140 on pipes above 100x100)

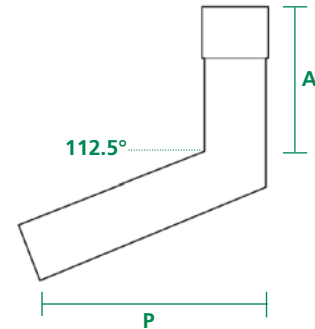
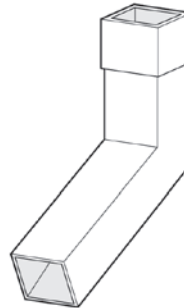


Special brackets available on request

SQUARE & RECTANGULAR DOWNPIPES AND FITTINGS

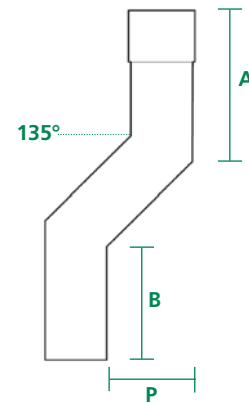
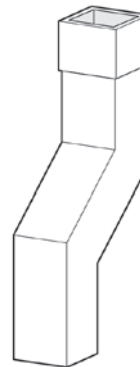
BENDS

Pipe (mm)	Ref	A	P
75 x 50	RW32/21	125	300
75 x 75	RW33/21	125	300
100 x 75	RW43/21	125	300
100 x 100	RW44/21	125	300
150 x 100	RW64/21	125	300
150 x 150	RW66/21	125	300



PLINTH OFFSETS

Pipe (mm)	Ref	A	B	P
75 x 50	RW32/23	135	200	Please state size required
75 x 75	RW33/23	145	200	
100 x 75	RW43/23	145	200	
100 x 100	RW44/23	165	200	
150 x 100	RW64/23	165	200	
150 x 150	RW66/23	205	200	



SWAN NECKS

Pipe (mm)	one piece state size	Maximum projection of swan necks					Other	Minimum Projection P
		300	450	600	900	1200		
75 x 50	RW32/25	RW32/26	RW32/27	RW32/28	RW32/29	RW32/30	Please specify A, B and P, projection angle RW?/31	135
75 x 75	RW33/25	RW33/26	RW33/27	RW33/28	RW33/29	RW33/30		155
100 x 75	RW43/25	RW43/26	RW43/27	RW43/28	RW43/29	RW43/30		155
100 x 100	RW44/25	RW44/26	RW44/27	RW44/28	RW44/29	RW44/30		185
150 x 100	RW64/25	RW64/26	RW64/27	RW64/28	RW64/29	RW64/30		185
150 x 150	RW66/25	RW66/26	RW66/27	RW66/28	RW66/29	RW66/30		250

