

## ***ALUMINIUM ROUND DOWNPIPES***

A Range of Round Rainwater Pipes, Standard with External Collars and Pipe Clips. Available as an Internal Jointed Downpipe / Flush Joint Downpipe. Can be a Semi Flush Fit Downpipe. Semi Concealed Pipe Brackets or Telescopic Downpipe Brackets Available. A very Vandal Resistant Downpipe and can be a Semi Anti Climb Downpipe if Required.



63

75

100

125

150

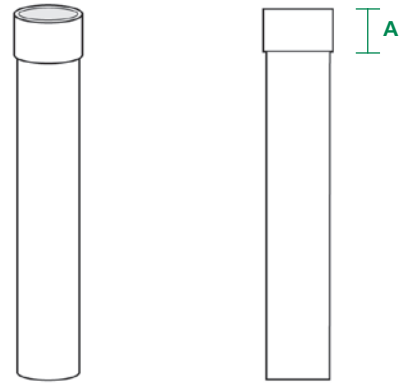
200\*

*\*other sizes available on request**\*To Order***IF YOU DONT SEE WHAT YOU WANT - PLEASE ASK**

# ROUND DOWNPIPES AND FITTINGS

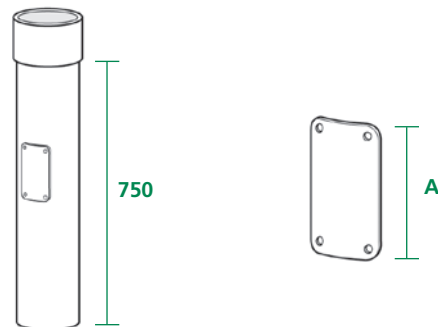
## • ROUND DOWNPIPES

Pipe (mm)	3mtr	1.5mtr	1mtr	Other Specify length	Wall Thickness	A
63	RW1/1	RW1/4	RW1/5	RW1/6	1.6	50
75	RW2/1	RW2/4	RW2/5	RW2/6	1.6	50
100	RW3/1	RW3/4	RW3/5	RW3/6	1.6	60
125	RW4/1	RW4/4	RW4/5	RW4/6	2.0	70
150	RW5/1	RW5/4	RW5/5	RW5/6	2.5	80



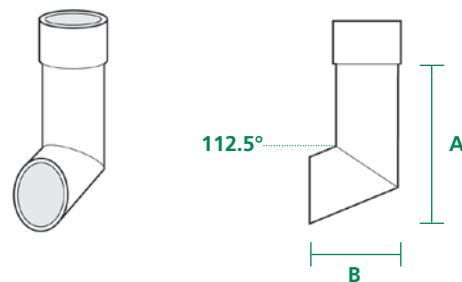
## • ACCESS PIPES & PLATES

Pipe (mm)	Access Pipe complete with plate	Access Plate	A
63	RW1/8	RW1/9	100
75	RW2/8	RW2/9	100
100	RW3/8	RW3/9	130
125	RW4/8	RW4/9	165
150	RW5/8	RW5/9	200



## • SHOES

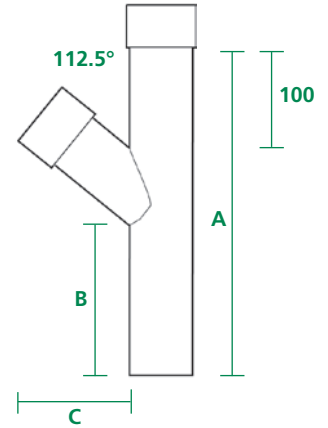
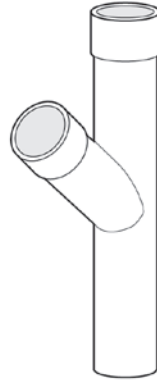
Pipe (mm)	Shoe	A	B
63	RW1/10	140	95
75	RW2/10	155	105
100	RW3/10	180	130
125	RW4/10	210	155
150	RW5/10	235	180



# ROUND DOWNPIPES AND FITTINGS

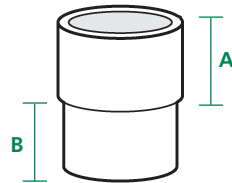
## BRANCHES

Pipe (mm)	Branch	A	B	C
63	RW1/11	320	150	115
75	RW2/11	335	150	120
100	RW3/11	360	150	140
125	RW4/11	390	150	155
150	RW5/11	410	150	175



## CONNECTORS

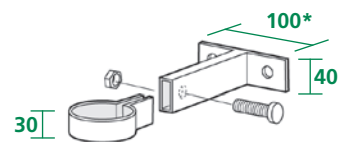
Pipe (mm)	Connector	A	B
63	RW1/12	50	50
75	RW2/12	50	50
100	RW3/12	60	50
125	RW4/12	70	60
150	RW5/12	80	60



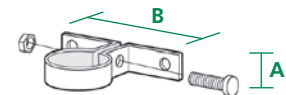
Ground adaptors available

## PIPE CLIPS

Pipe (mm)	Pipe Clip	Max 100T Bkt	Max 200T Bkt	Max 300T Bkt	A	B
63	RW1/16	RW1/17	RW1/18	RW1/19	30	110
75	RW2/16	RW2/17	RW2/18	RW2/19	30	115
100	RW3/16	RW3/17	RW3/18	RW3/19	30	145
125	RW4/16	RW4/17	RW4/18	RW4/19	40	190
150	RW5/16	RW5/17	RW5/18	RW5/19	40	190



\*(140 on pipes above 100mm)

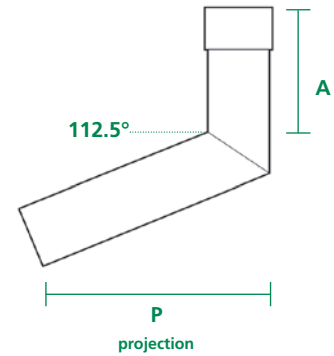


Special brackets available on request

# ROUND DOWNPIPES AND FITTINGS

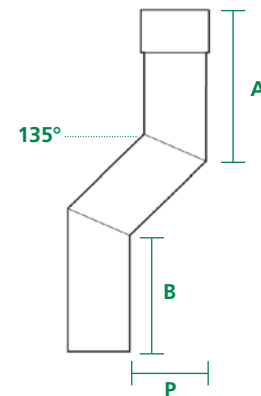
## BENDS

Pipe (mm)	Ref	A	P
63	RW1/21	125	300
75	RW2/21	125	300
100	RW3/21	125	300
125	RW4/21	125	300
150	RW5/21	125	300



## PLINTH OFFSETS

Pipe (mm)	Ref	A	B	P
63	RW1/23	140	200	Please state size required
75	RW2/23	145	200	
100	RW3/23	165	200	
125	RW4/23	185	200	
150	RW5/23	205	200	



## SWAN NECKS

Pipe (mm)	one piece state size	Maximum projection of swan necks					Other	Minimum Projection P
		300	450	600	900	1200		
63	RW1/25	RW1/26	RW1/27	RW1/28	RW1/29	RW1/30	Please specify A, B and P, projection angle RW?/31	145
75	RW2/25	RW2/26	RW2/27	RW2/28	RW2/29	RW2/30		155
100	RW3/25	RW3/26	RW3/27	RW3/28	RW3/29	RW3/30		185
125	RW4/25	RW4/26	RW4/27	RW4/28	RW4/29	RW4/30		225
150	RW5/25	RW5/26	RW5/27	RW5/28	RW5/29	RW5/30		250

