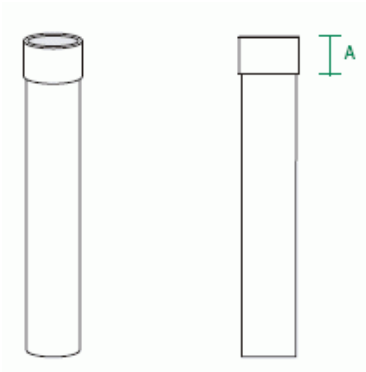


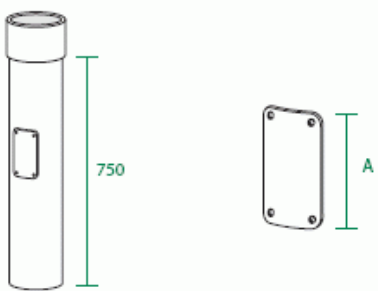
ALUMINIUM ROUND DOWNPIPES

ROUND DOWNPIPES



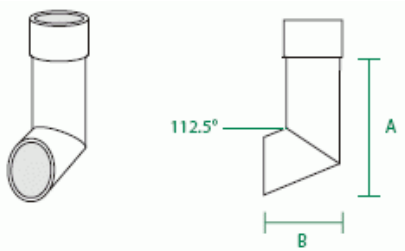
Pipe (mm)	63	75	100	125	150
3m Code	RW1/1	RW2/1	RW3/1	RW4/1	RW5/1
MILL	18.04	21.37	27.26	50.79	61.73
PPC	22.42	26.61	34.28	59.54	72.26
1.5m Code	RW1/4	RW2/4	RW3/4	RW4/4	RW5/4
MILL	11.08	12.82	15.95	29.51	35.45
PPC	13.26	15.45	19.47	33.88	40.72
1m Code	RW1/5	RW2/5	RW3/5	RW4/5	RW5/5
MILL	8.61	9.84	12.04	21.97	26.24
PPC	10.08	11.58	14.40	24.90	29.76
Other Code (specify length)	RW1/6	RW2/6	RW3/6	RW4/6	RW5/6
MILL	Individually priced subject to length				
PPC	Individually priced subject to length				

ACCESS PIPES & PLATES



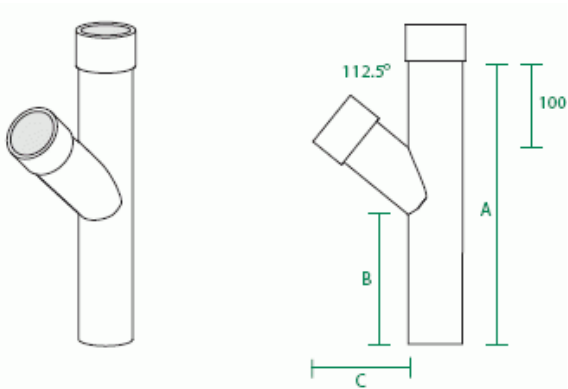
Pipe (mm)	63	75	100	125	150
Pipe with plate Code	RW1/8	RW2/8	RW3/8	RW4/8	RW5/8
MILL	15.37	16.44	18.66	28.04	32.30
PPC	16.56	17.85	20.57	30.45	35.24
Plate only Code	RW1/9	RW2/9	RW3/9	RW4/9	RW5/9
MILL	2.89	2.95	3.22	3.61	4.06
PPC	3.41	3.48	3.75	4.14	4.59

SHOES



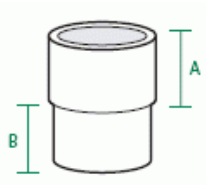
Pipe (mm)	63	75	100	125	150
Code	RW1/10	RW2/10	RW3/10	RW4/10	RW5/10
MILL	7.72	8.54	10.06	18.76	22.82
PPC	8.24	9.05	10.71	19.71	24.07

BRANCHES



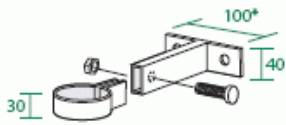
Pipe (mm)	63	75	100	125	150
Code	RW1/11	RW2/11	RW3/11	RW4/11	RW5/11
MILL	15.40	16.40	18.82	32.10	37.78
PPC	16.15	17.32	20.16	33.97	40.11

CONNECTORS

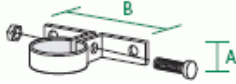


Pipe (mm)	63	75	100	125	150
Code	RW1/12	RW2/12	RW3/12	RW4/12	RW5/12
MILL	2.48	2.54	2.71	3.68	4.63
PPC	3.00	3.07	3.23	4.20	5.16

PIPE CLIPS

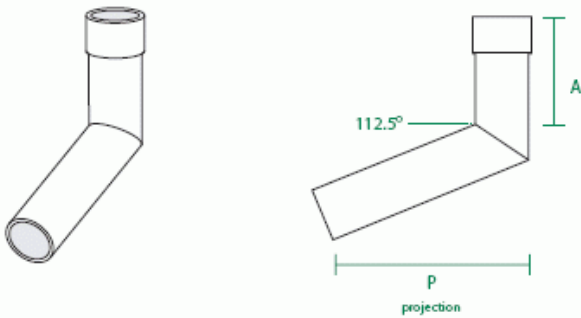


*(140 on pipes above 100mm)



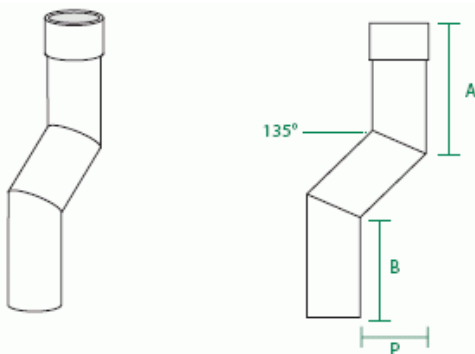
Pipe (mm)	63	75	100	125	150
Code	RW1/16	RW2/16	RW3/16	RW4/16	RW5/16
MILL	2.94	2.98	3.22	3.53	3.73
PPC	3.46	3.51	3.75	4.05	4.25
Max 100T Bkt Code	RW1/17	RW2/17	RW3/17	RW4/17	RW5/17
MILL	4.75	4.84	5.01	5.36	5.53
PPC	5.27	5.37	5.53	5.88	6.06
Max 200T Bkt Code	RW1/18	RW2/18	RW3/18	RW4/18	RW5/18
MILL	5.10	5.20	5.37	5.71	5.89
PPC	5.63	5.72	5.89	6.24	6.42
Max 300T Bkt Code	RW1/19	RW2/19	RW3/19	RW4/19	RW5/19
MILL	5.46	5.55	5.72	6.07	6.25
PPC	5.98	6.08	6.25	6.59	6.77

BENDS



Pipe (mm)	63	75	100	125	150
Code	RW1/21	RW2/21	RW3/21	RW4/21	RW5/21
MILL	8.30	9.31	11.00	20.36	24.21
PPC	8.97	10.11	12.08	21.69	25.82

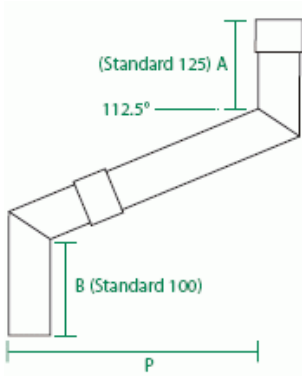
PLINTH OFFSETS



Pipe (mm)	63	75	100	125	150
Code*	RW1/23	RW2/23	RW3/23	RW4/23	RW5/23
MILL	11.14	12.67	15.24	29.35	35.68
PPC	11.89	13.57	16.47	30.93	37.61

* Please state projection required, up to 150mm is included in price. Please request price for larger projections.

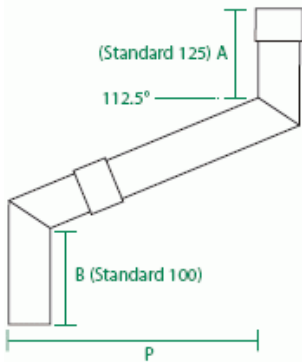
SWAN NECKS - 1 PIECE



Pipe (mm)	63	75	100	125	150
Code*	RW1/25	RW2/25	RW3/25	RW4/25	RW5/25
MILL	11.40	13.04	15.86	30.82	37.76
PPC	12.23	14.05	17.28	32.67	39.21

* Please state projection required, up to 300mm is included in price. Please request price for larger projections.

SWAN NECKS - 2 PIECE



Pipe (mm)	63	75	100	125	150
300 Max Projection					
Code	RW1/26	RW2/26	RW3/26	RW4/26	RW5/26
MILL	15.18	16.77	19.53	38.60	45.56
PPC	16.21	17.88	21.07	39.90	48.08
450 Max Projection					
Code	RW1/27	RW2/27	RW3/27	RW4/27	RW5/27
MILL	15.99	17.74	20.80	40.34	48.57
PPC	17.14	19.14	22.31	42.84	51.67
600 Max Projection					
Code	RW1/28	RW2/28	RW3/28	RW4/28	RW5/28
MILL	16.78	18.71	22.06	42.77	51.52
PPC	18.16	20.38	24.37	45.74	55.18
900 Max Projection					
Code	RW1/29	RW2/29	RW3/29	RW4/29	RW5/29
MILL	18.36	20.63	24.58	47.64	57.47
PPC	20.22	22.88	27.65	51.56	62.25
1200 Max Projection					
Code	RW1/30	RW2/30	RW3/30	RW4/30	RW5/30
MILL	19.93	22.53	27.06	52.44	63.32
PPC	22.25	25.34	30.87	57.28	69.23

FIXINGS

Code	Item	Item	
GM1	38 x No.14 - 5.5 gutter fixing	25NO	1.59
GM2	38 x Mo.14 - 5.5 gutter fixing	100NO	6.35
GM3	38 x Mo.14 - 5.5 gutter fixing	200NO	12.70
GM4	16 x No10 Pan Head Fixing	25NO	0.72
GM5	16 x No10 Pan Head Fixing	100NO	2.92
GM6	16 x No10 Pan Head Fixing	200NO	5.84
GM7	16xNo10 Counter Sunk Fixing	25NO	1.01
GM8	16xNo10 Counter Sunk Fixing	100NO	4.04
GM9	16xNo10 Counter Sunk Fixing	200NO	8.09
GM10	48mm Sealed Rivet	25NO	1.03
GM11	48mm Sealed Rivet	100NO	4.13
GM12	48mm Sealed Rivet	200N	8.25
GM13	28mm Pullback Rivet	25NO	0.99
GM14	28mm Pullback Rivet	100NO	3.96
GM15	28mm Pullback Rivet	200NO	7.92
GM20	30 x 6 S/S DP fixing	25NO	4.28
GM21	30 x 6 S/S DP fixing	100NO	17.14
GM30	400ml silicone	1NO	4.39
GM32	12m Roll of Butyl Mastic Tape	1NO	2.75
GM34	1l Sealent cleaner	1Ltr	8.40
GM40	500ml Touch up	0.5Ltr	18.79
GM50	Drill Bit 4.8mm	1NO	1.47
GM67	Scissor / Lazy Tong Riveting Tool	1NO	46.07

Above prices exclude VAT and Delivery.

© Guttercrest 2012.

