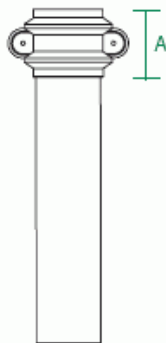
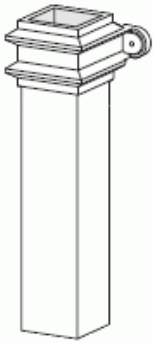
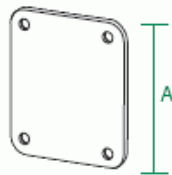
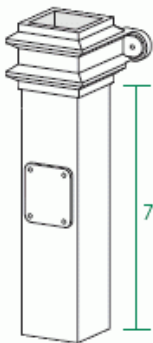


ALUMINIUM SQUARE CAST DOWNPIPES SQUARE & RECTANGULAR DOWNPIPES



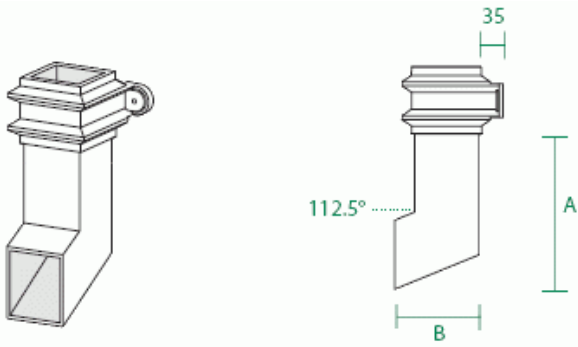
Pipe (mm)	75 x 50	75 x 75	100 x 75	100 x 100
3m Code	RW32G/1	RW33G/1	RW43G/1	RW44G/1
MILL	28.04	32.13	42.54	48.43
PPC	33.57	38.80	50.31	57.33
1.8m Code	RW32G/3	RW33G/3	RW43G/3	RW44G/3
MILL	20.04	22.50	29.06	32.99
PPC	23.36	26.50	33.73	38.34
1.5m Code	RW32G/4	RW33G/4	RW43G/4	RW44G/4
MILL	18.49	20.54	26.13	29.57
PPC	21.25	23.87	30.02	34.02
1m Code	RW32G/5	RW33G/5	RW43G/5	RW44G/5
MILL	15.16	16.53	20.52	23.13
PPC	17.00	18.75	23.11	26.10
Other (specify length)	RW32G/6	RW33G/6	RW43G/6	RW44G/6
MILL		Individually priced subject to length		
PPC		Individually priced subject to length		

ACCESS PIPES & PLATES



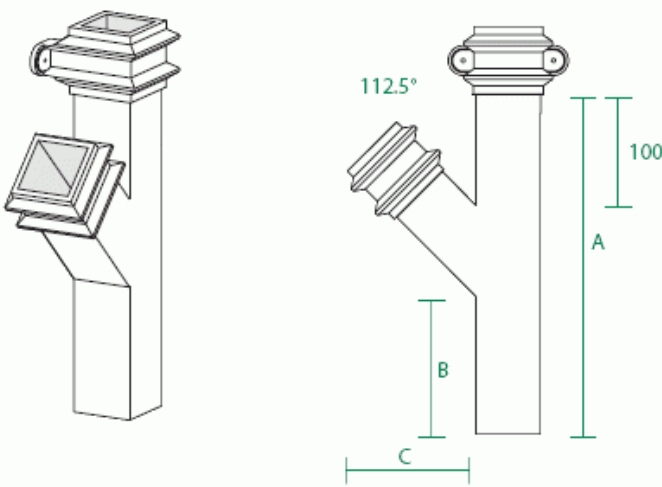
Pipe (mm)	75 x 50	75 x 75	100 x 75	100 x 100
Pipe with plate				
Code	RW32G/8	RW33G/8	RW43G/8	RW44G/8
MILL	20.26	21.35	24.90	27.13
PPC	21.83	23.25	27.11	29.68
Plate only Code	RW32G/9	RW33G/9	RW43G/9	RW44G/9
MILL	1.81	1.81	1.97	1.97
PPC	2.33	2.33	2.50	2.50

SHOES



Pipe (mm)	75 x 50	75 x 75	100 x 75	100 x 100
Code	RW32G/10	RW33G/10	RW43G/10	RW44G/10
MILL	14.28	15.20	17.56	19.30
PPC	14.80	15.90	18.36	20.32

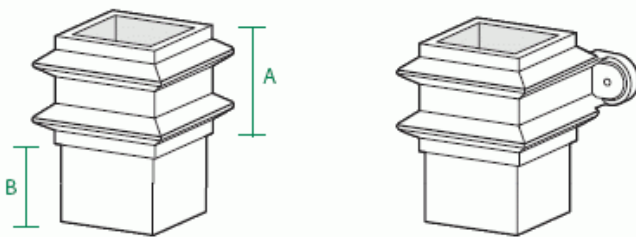
BRANCHES



Pipe (mm)	75 x 50	75 x 75	100 x 75	100 x 100
Code	RW32G/11	RW33G/11	RW43G/11	RW44G/11
MILL	29.80	31.76	36.20	40.01
PPC	30.80	32.99	37.76	41.80

*Note: State left hand or right hand.

CONNECTORS



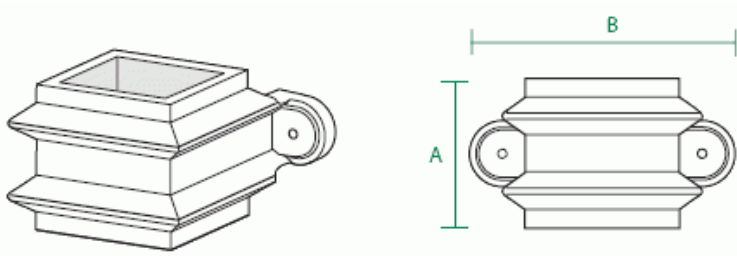
no ears

with ears

Pipe (mm)	75 x 50	75 x 75	100 x 75	100 x 100
Connector No Ears	RW32G/12	RW33G/12	RW43G/12	RW44G/12
MILL	13.30	13.60	14.74	16.05
PPC	13.83	14.12	15.27	16.58

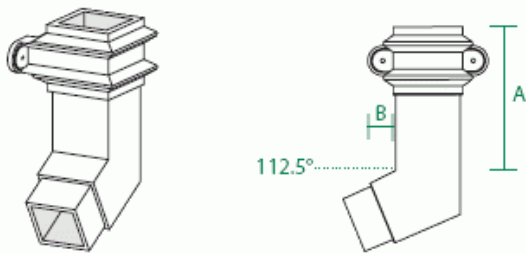
Pipe (mm)	75 x 50	75 x 75	100 x 75	100 x 100
Connector with Ears	RW32G/13	RW33G/13	RW43G/13	RW44G/13
MILL	14.09	14.38	15.50	16.77
PPC	14.62	14.91	16.02	17.29

COLLAR BRACKETS



Pipe (mm)	75 x 50	75 x 75	100 x 75	100 x 100
Code	RW32G/15	RW33G/15	RW43G/15	RW44G/15
MILL	6.51	6.51	7.08	7.83
PPC	7.04	7.04	7.60	8.36

BENDS

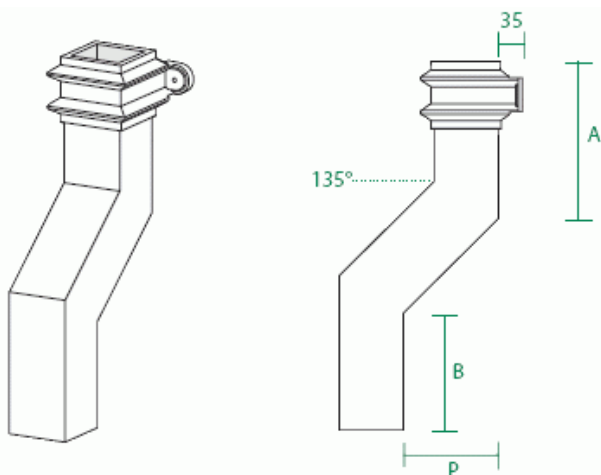


left hand with ears
shown

Pipe (mm)	75 x 50	75 x 75	100 x 75	100 x 100
Bend No Ears	RW32G/21	RW33G/21	RW43G/21	RW44G/21
MILL	18.20	19.57	21.57	23.91
PPC	18.77	20.34	22.46	25.00
Bend with Ears	RW32G/22	RW33G/22	RW43G/22	RW44G/22
MILL	18.98	19.57	21.57	24.62
PPC	19.56	20.34	22.46	25.71

* Note: state left hand or right hand.

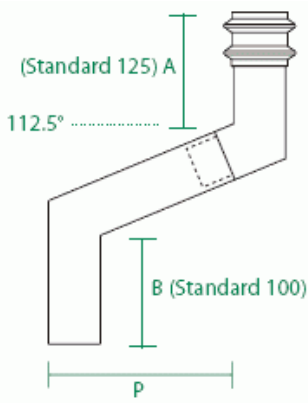
PLINTH OFFSETS



Pipe (mm)	75 x 50	75 x 75	100 x 75	100 x 100
Code*	RW32G/23	RW33G/23	RW43G/23	RW44G/23
MILL	19.49	21.19	24.39	27.23
PPC	20.41	22.35	25.75	28.82

* Please state projection required, up to 150mm is included in price. Please request price for larger projections.

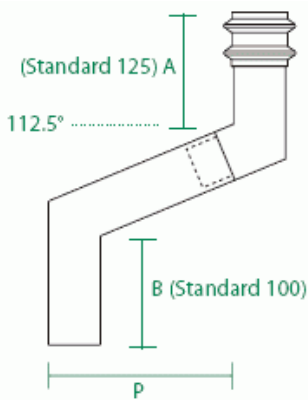
SWAN NECKS - 1 PIECE



Pipe (mm)	75 x 50	75 x 75	100 x 75	100 x 100
Code*	RW32G/25	RW33G/25	RW43G/25	RW44G/25
MILL	19.01	20.72	24.08	27.04
PPC	20.01	21.97	25.54	28.76

* Please state projection required, up to 300mm is included in price. Please request price for larger projections.

SWAN NECKS - 2 PIECE



Pipe (mm)	75 x 50	75 x 75	100 x 75	100 x 100
300 Max	RW32G/26	RW33G/26	RW43G/26	RW44G/26
MILL	25.35	27.50	31.47	34.93
PPC	26.68	29.18	33.43	37.23
450 Max	RW32G/27	RW33G/27	RW43G/27	RW44G/27
MILL	26.41	28.78	33.26	36.99
PPC	28.04	30.82	35.64	39.77
600 Max	RW32G/28	RW33G/28	RW43G/28	RW44G/28
MILL	27.51	30.11	35.12	39.11
PPC	29.44	32.51	37.92	42.38
900 Max	RW32G/29	RW33G/29	RW43G/29	RW44G/29
MILL	29.67	32.72	38.77	43.29
PPC	32.20	35.85	42.41	47.53
1200 Max	RW32G/30	RW33G/30	RW43G/30	RW44G/30
MILL	31.94	35.45	42.59	47.67
PPC	35.09	39.32	47.10	52.91

FIXINGS

Code	Item	Item	
GM1	38 x No.14 - 5.5 gutter fixing	25NO	1.59
GM2	38 x Mo.14 - 5.5 gutter fixing	100NO	6.35
GM3	38 x Mo.14 - 5.5 gutter fixing	200NO	12.70
GM4	16 x No10 Pan Head Fixing	25NO	0.72
GM5	16 x No10 Pan Head Fixing	100NO	2.92
GM6	16 x No10 Pan Head Fixing	200NO	5.84
GM7	16xNo10 Counter Sunk Fixing	25NO	1.01
GM8	16xNo10 Counter Sunk Fixing	100NO	4.04
GM9	16xNo10 Counter Sunk Fixing	200NO	8.09
GM10	48mm Sealed Rivet	25NO	1.03
GM11	48mm Sealed Rivet	100NO	4.13
GM12	48mm Sealed Rivet	200N	8.25
GM13	28mm Pullback Rivet	25NO	0.99
GM14	28mm Pullback Rivet	100NO	3.96
GM15	28mm Pullback Rivet	200NO	7.92
GM20	30 x 6 S/S DP fixing	25NO	4.28
GM21	30 x 6 S/S DP fixing	100NO	17.14
GM30	400ml silicone	1NO	4.39
GM32	12m Roll of Butyl Mastic Tape	1NO	2.75
GM34	1l Sealent cleaner	1Ltr	8.40
GM40	500ml Touch up	0.5Ltr	18.79
GM50	Drill Bit 4.8mm	1NO	1.47
GM67	Scissor / Lazy Tong Riveting Tool	1NO	46.07

Above prices exclude VAT and Delivery.

© Guttercrest 2012.

