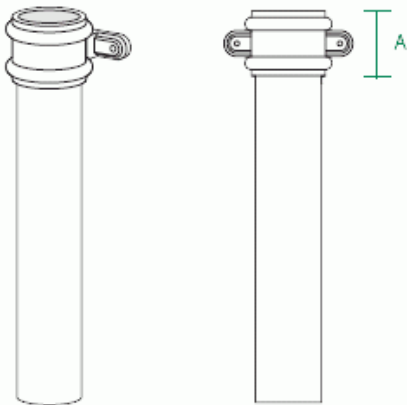


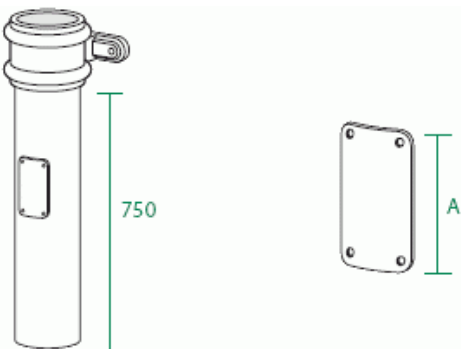
ALUMINIUM CAST ROUND DOWNPIPES

ROUND DOWNPIPES



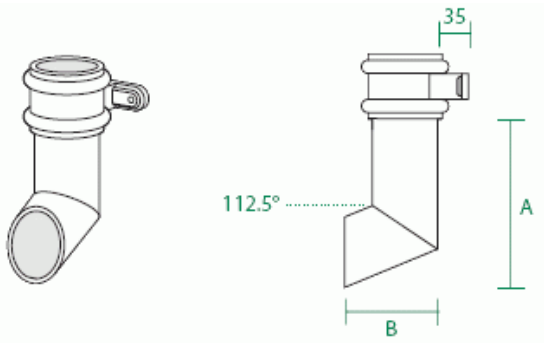
Pipe (mm)	63	75	100	150
3m Code	RW1T/1	RW2T/1	RW3T/1	RW5T/1
MILL	21.82	25.97	34.36	72.60
PPC	26.21	31.20	41.38	83.13
1.8m Code	RW1T/3	RW2T/3	RW3T/3	RW5T/3
MILL	15.45	18.22	24.22	47.28
PPC	18.08	21.36	28.43	51.49
1.5m Code	RW1T/4	RW2T/4	RW3T/4	RW5T/4
MILL	14.29	16.72	22.12	44.46
PPC	16.48	19.34	25.64	49.73
1m Code	RW1T/5	RW2T/5	RW3T/5	RW5T/5
MILL	11.59	13.44	17.84	34.44
PPC	13.05	15.18	20.18	37.96
Other (specify length)	RW1T/6	RW2T/6	RW3T/6	RW5T/6
MILL	Individually priced subject to length			
PPC	Individually priced subject to length			

ACCESS PIPES & PLATES



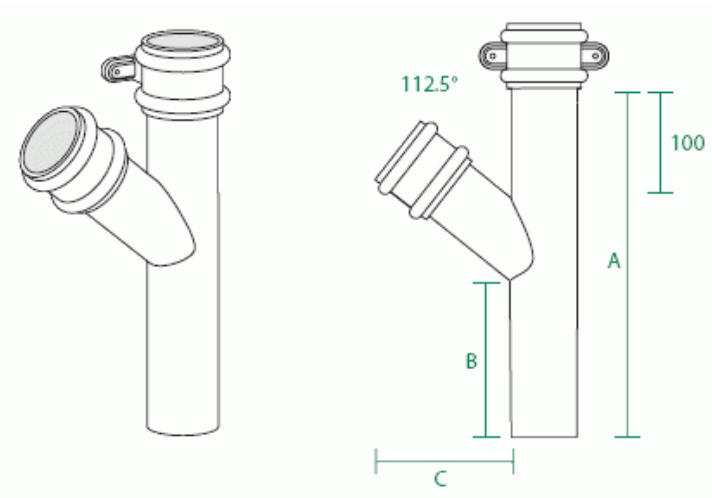
Pipe (mm)	63	75	100	150
Pipe with plate Code	RW1T/8	RW2T/8	RW3T/8	RW5T/8
MILL	18.87	20.57	24.99	41.17
PPC	20.04	21.98	26.88	44.02
Plate only Code	RW1T/9	RW2T/9	RW3T/9	RW5T/9
MILL	2.89	2.95	3.22	4.06
PPC	3.41	3.48	3.75	4.59

SHOES



Pipe (mm)	63	75	100	150
Code	RW1T/10	RW2T/10	RW3T/10	RW5T/10
MILL	10.69	12.11	15.83	31.22
PPC	11.21	12.63	16.55	32.62

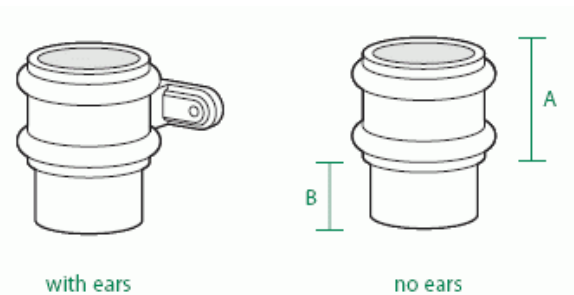
BRANCHES



Pipe (mm)	63	75	100	150
Code	RW1T/11	RW2T/11	RW3T/11	RW5T/11
MILL	24.17	26.52	34.16	62.44
PPC	25.10	27.67	35.79	65.55

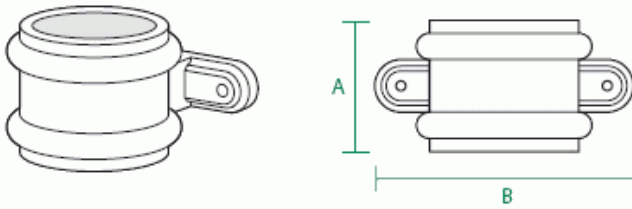
* Note: State left hand or right hand.

CONNECTORS



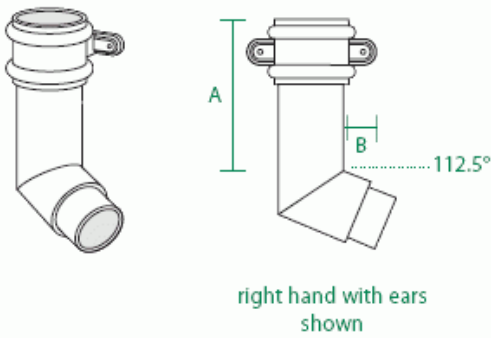
Pipe (mm)	63	75	100	150
Connector No Ears	RW1T/12	RW2T/12	RW3T/12	RW5T/12
MILL	7.15	7.53	10.40	18.74
PPC	7.68	8.05	10.92	19.35
Connector With Ears	RW1T/13	RW2T/13	RW3T/13	RW5T/13
MILL	8.35	9.11	11.68	17.85
PPC	8.87	9.64	12.20	18.46

COLLAR BRACKETS



Pipe (mm)	63	75	100	150
Code	RW1T/15	RW2T/15	RW3T/15	RW5T/15
MILL	4.99	5.56	7.61	11.59
PPC	5.51	6.09	8.14	12.12

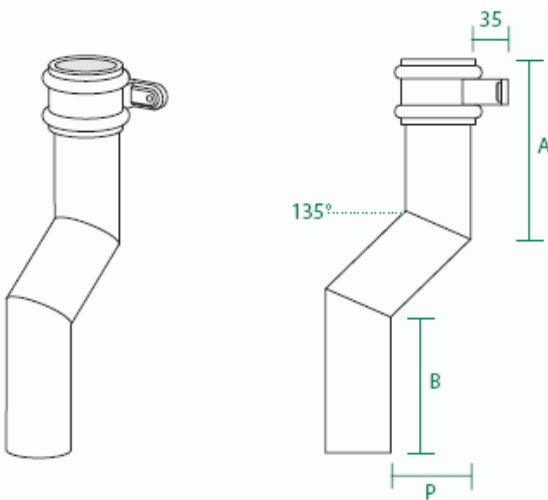
BENDS



Pipe (mm)	63	75	100	150
Bend No Ears	RW1T/21	RW2T/21	RW3T/21	RW5T/21
MILL	10.78	11.76	15.67	35.19
PPC	11.31	12.28	16.25	36.12
Bend with Ears	RW1T/22	RW2T/22	RW3T/22	RW5T/22
MILL	11.98	13.35	16.95	34.29
PPC	12.51	13.87	17.54	35.24

*Note: State left hand or right hand projection.

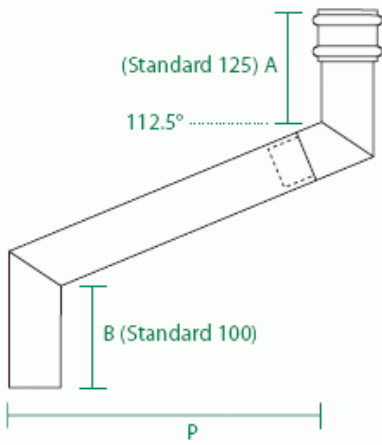
PLINTH OFFSETS



Pipe (mm)	63	75	100	150
Code*	RW1T/23	RW2T/23	RW3T/23	RW5T/23
MILL	14.32	16.51	21.13	44.75
PPC	15.09	17.43	22.33	46.72

* Please state projection required, up to 150mm is included in price. Please request price for larger projections.

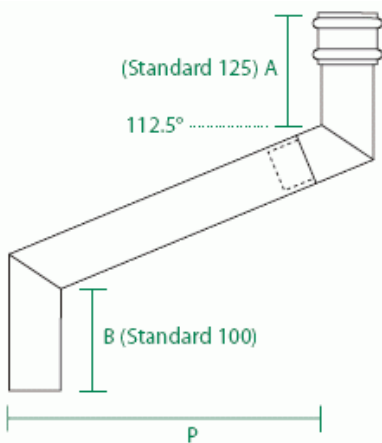
SWAN NECKS - 1 PIECE



Pipe (mm)	63	75	100	150
Code*	RW1T/25	RW2T/25	RW3T/25	RW5T/25
MILL	13.34	15.19	20.28	46.05
PPC	14.15	16.19	21.60	48.10

* Please state projection required, up to 300mm is included in price. Please request price for larger projections.

SWAN NECKS - 2 PIECE



Pipe (mm)	63	75	100	150
300 Max Projection				
Code	RW1T/26	RW2T/26	RW3T/26	RW5T/26
MILL	15.96	17.90	22.89	53.92
PPC	16.88	19.01	23.99	56.19
450 Max Projection				
Code	RW1T/27	RW2T/27	RW3T/27	RW5T/27
MILL	16.84	18.95	24.20	57.14
PPC	17.99	20.35	25.60	60.00
600 Max Projection				
Code	RW1T/28	RW2T/28	RW3T/28	RW5T/28
MILL	17.68	20.00	25.49	60.29
PPC	19.08	21.69	27.16	63.70
900 Max Projection				
Code	RW1T/29	RW2T/29	RW3T/29	RW5T/29
MILL	19.40	22.07	28.09	66.65
PPC	21.26	24.32	30.31	71.20
1200 Max Projection				
Code	RW1T/30	RW2T/30	RW3T/30	RW5T/30
MILL	21.09	24.13	30.64	72.92
PPC	23.42	26.92	33.42	78.58

FIXINGS

Code	Item	Item	
GM1	38 x No.14 - 5.5 gutter fixing	25NO	1.59
GM2	38 x Mo.14 - 5.5 gutter fixing	100NO	6.35
GM3	38 x Mo.14 - 5.5 gutter fixing	200NO	12.70
GM4	16 x No10 Pan Head Fixing	25NO	0.72
GM5	16 x No10 Pan Head Fixing	100NO	2.92
GM6	16 x No10 Pan Head Fixing	200NO	5.84
GM7	16xNo10 Counter Sunk Fixing	25NO	1.01
GM8	16xNo10 Counter Sunk Fixing	100NO	4.04
GM9	16xNo10 Counter Sunk Fixing	200NO	8.09
GM10	48mm Sealed Rivet	25NO	1.03
GM11	48mm Sealed Rivet	100NO	4.13
GM12	48mm Sealed Rivet	200N	8.25
GM13	28mm Pullback Rivet	25NO	0.99
GM14	28mm Pullback Rivet	100NO	3.96
GM15	28mm Pullback Rivet	200NO	7.92
GM20	30 x 6 S/S DP fixing	25NO	4.28
GM21	30 x 6 S/S DP fixing	100NO	17.14
GM30	400ml silicone	1NO	4.39
GM32	12m Roll of Butyl Mastic Tape	1NO	2.75
GM34	1l Sealent cleaner	1Ltr	8.40
GM40	500ml Touch up	0.5Ltr	18.79
GM50	Drill Bit 4.8mm	1NO	1.47
GM67	Scissor / Lazy Tong Riveting Tool	1NO	46.07

Above prices exclude VAT and Delivery.

© Guttercrest 2012.

