

# **ALUMINIUM GEORGIAN SQUARE & RECTANGULAR CAST DOWNPIPES**

Inspired by the 19th century Cast Iron Downpipes



75 x 50

75 x 75

100 x 75

100 x 100

*\*other sizes available on request*

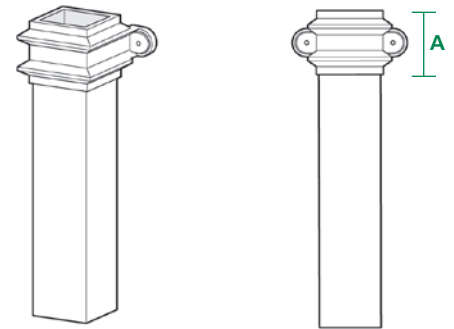
**IF YOU DONT SEE WHAT YOU WANT - PLEASE ASK**

# GEORGIAN SQUARE & RECTANGULAR DOWNPIPES AND FITTINGS

## SQUARE & RECTANGULAR DOWNPIPES

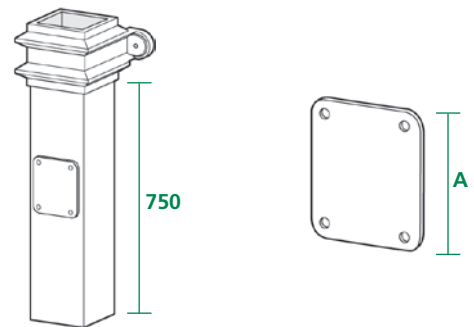
Pipe (mm)	3mtr	1.8mtr	1.5mtr	1mtr	Other Specify length	Wall Thickness	A
75 x 50	RW32G/1	RW32G/3	RW32G/4	RW32G/5	RW32G/6	1.6	85
75 x 75	RW33G/1	RW33G/3	RW33G/4	RW33G/5	RW33G/6	1.6	105
100 x 75	RW43G/1	RW43G/3	RW43G/4	RW43G/5	RW43G/6	2	105
100 x 100	RW44G/1	RW44G/3	RW44G/4	RW44G/5	RW44G/6	2	105

150 x 100 and 150 x 150 available on application



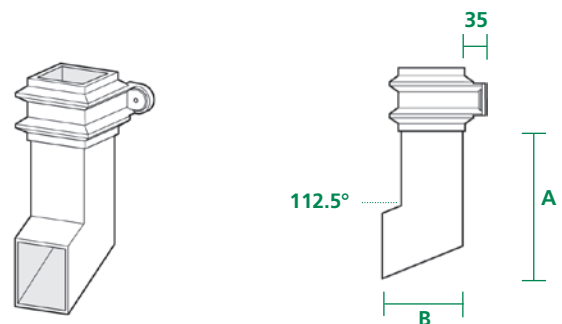
## ACCESS PIPES & PLATES

Pipe (mm)	Access Pipe complete with plate	Access Plate	A
75 x 50	RW32G/8	RW32G/9	100
75 x 75	RW33G/8	RW33G/9	100
100 x 75	RW43G/8	RW43G/9	130
100 x 100	RW44G/8	RW44G/9	130



## SHOES

Pipe (mm)	Shoe	A	B
75 x 50	RW32G/10	130	80
75 x 75	RW33G/10	155	105
100 x 75	RW43G/10	155	105
100 x 100	RW44G/10	180	130

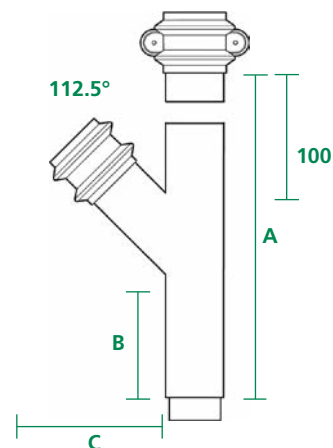
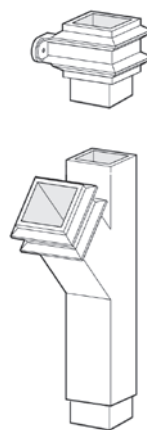


# GEORGIAN SQUARE & RECTANGULAR DOWNPIPES AND FITTINGS

## BRANCHES

Pipe (mm)	Branch	A	B	C
75 x 50	RW32G/11	335	150	145
75 x 75	RW33G/11	335	150	170
100 x 75	RW43G/11	360	150	190
100 x 100	RW44G/11	360	150	190

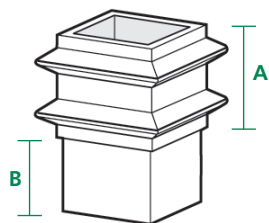
Note: universal branch for left or right hand. If one price required please state including left or right hand.



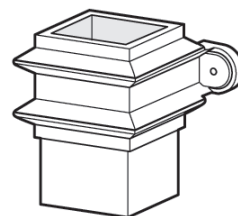
## CONNECTORS

Pipe (mm)	Connector (no ears)	Connector (ears)	A	B
75 x 50	RW32G/12	RW32G/13	85	50
75 x 75	RW33G/12	RW33G/13	105	50
100 x 75	RW43G/12	RW43G/13	105	50
100 x 100	RW44G/12	RW44G/13	105	50

Ground adaptors available



no ears

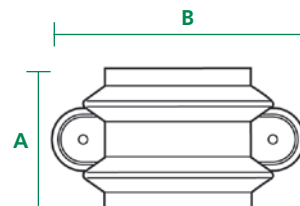
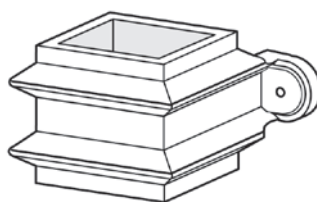


with ears

## COLLAR BRACKETS

Pipe (mm)	Pipe Clip	A	B
75 x 50	RW32G/15	85	170
75 x 75	RW33G/15	105	180
100 x 75	RW43G/15	105	205
100 x 100	RW44G/15	105	205

This item is used in place of a bracket i.e. at the base of the downpipe if no shoe is required

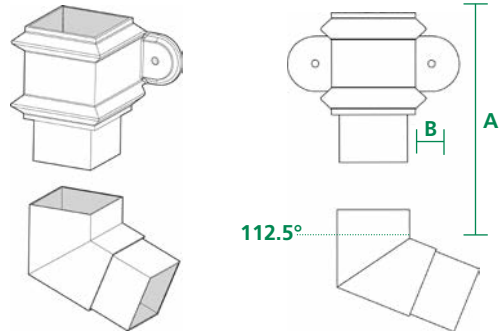


# GEORGIAN SQUARE & RECTANGULAR DOWNPIPES AND FITTINGS

## BENDS

Pipe (mm)	Bends (no ears)	Bends (ears)	A	B
75 x 50	RW32G/21	RW32G/22	125	20
75 x 75	RW33G/21	RW33G/22	125	20
100 x 75	RW43G/21	RW43G/22	125	20
100 x 100	RW44G/21	RW44G/22	125	20

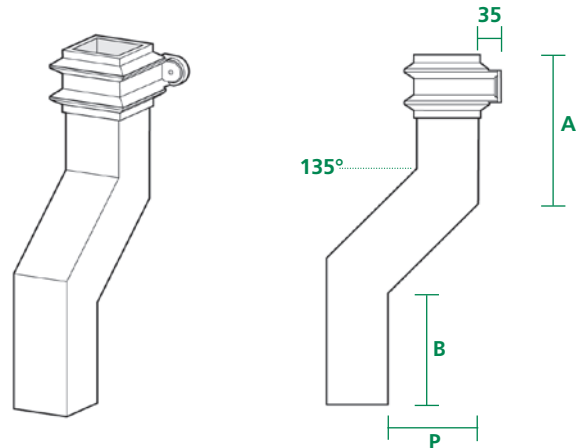
Note: Universal bend for right or left hand. If one piece required please state including if right or left hand.



supplied with ears as standard

## PLINTH OFFSETS

Pipe (mm)	Ref	A	B	P
75 x 50	RW32G/23	170	200	Please state size required
75 x 75	RW33G/23	195	200	
100 x 75	RW43G/23	195	200	
100 x 100	RW44G/23	210	200	



## SWAN NECKS

Pipe (mm)	one piece state size	Maximum projection of swan necks					Other	Minimum Projection P
		300	450	600	900	1200		
75 x 50	RW32G/25	RW32G/26	RW32G/27	RW32G/28	RW32G/29	RW32G/30	Please specify A, B and P, projection angle RW?/31	90
75 x 75	RW33G/25	RW33G/26	RW33G/27	RW33G/28	RW33G/29	RW33G/30		115
100 x 75	RW43G/25	RW43G/26	RW43G/27	RW43G/28	RW43G/29	RW43G/30		115
100 x 100	RW44G/25	RW44G/26	RW44G/27	RW44G/28	RW44G/29	RW44G/30		130

