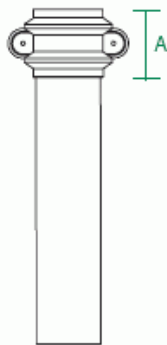
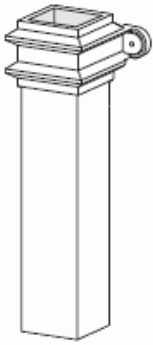


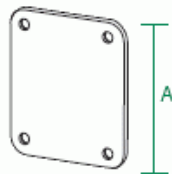
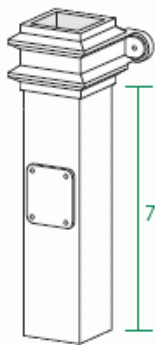
SQUARE CAST DOWNPIPES

SQUARE & RECTANGULAR DOWNPIPES



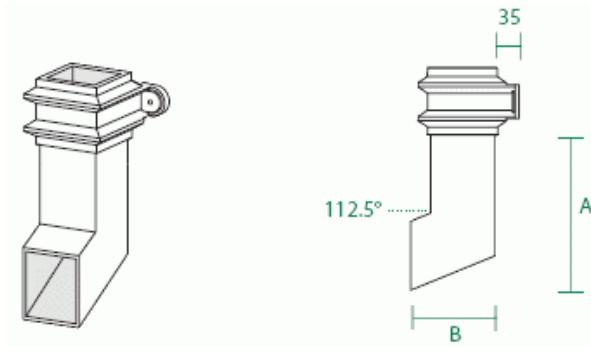
Pipe (mm)	75 x 50	75 x 75	100 x 75	100 x 100
3m Code	RW32G/1	RW33G/1	RW43G/1	RW44G/1
MILL	28.04	32.13	42.54	48.43
PPC	33.57	38.80	50.31	57.33
1.8m Code	RW32G/3	RW33G/3	RW43G/3	RW44G/3
MILL	20.04	22.50	29.06	32.99
PPC	23.36	26.50	33.73	38.34
1.5m Code	RW32G/4	RW33G/4	RW43G/4	RW44G/4
MILL	18.49	20.54	26.13	29.57
PPC	21.25	23.87	30.02	34.02
1m Code	RW32G/5	RW33G/5	RW43G/5	RW44G/5
MILL	15.16	16.53	20.52	23.13
PPC	17.00	18.75	23.11	26.10
Other (specify length)	RW32G/6	RW33G/6	RW43G/6	RW44G/6
MILL	Individually priced subject to length			
PPC	Individually priced subject to length			

ACCESS PIPES & PLATES



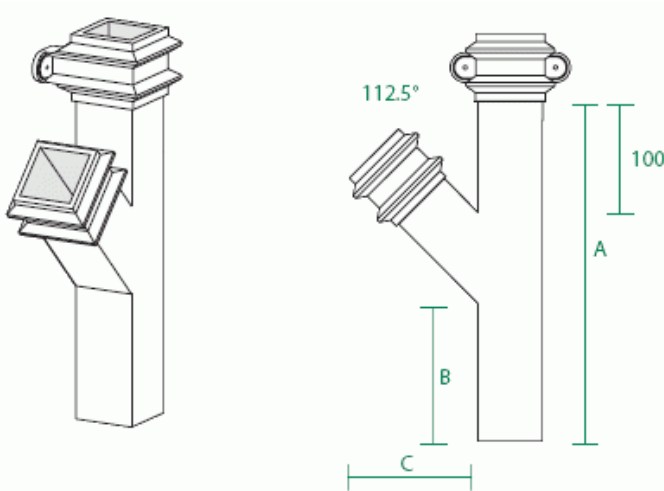
Pipe (mm)	75 x 50	75 x 75	100 x 75	100 x 100
Pipe with plate Code	RW32G/8	RW33G/8	RW43G/8	RW44G/8
MILL	20.26	21.35	24.90	27.13
PPC	21.83	23.25	27.11	29.68
Plate only Code	RW32G/9	RW33G/9	RW43G/9	RW44G/9
MILL	1.81	1.81	1.97	1.97
PPC	2.33	2.33	2.50	2.50

SHOES



Pipe (mm)	75 x 50	75 x 75	100 x 75	100 x 100
Code	RW32G/10	RW33G/10	RW43G/10	RW44G/10
MILL	14.28	15.20	17.56	19.30
PPC	14.80	15.90	18.36	20.32

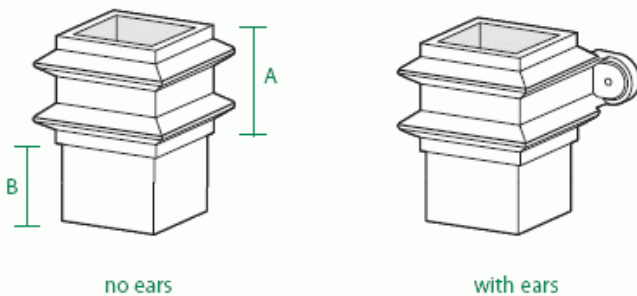
BRANCHES



Pipe (mm)	75 x 50	75 x 75	100 x 75	100 x 100
Code	RW32G/11	RW33G/11	RW43G/11	RW44G/11
MILL	29.80	31.76	36.20	40.01
PPC	30.80	32.99	37.76	41.80

*Note: State left hand or right hand.

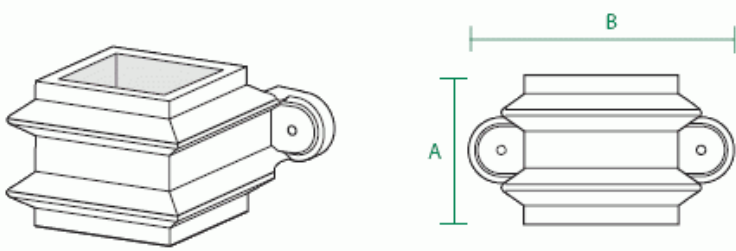
CONNECTORS



Pipe (mm)	75 x 50	75 x 75	100 x 75	100 x 100
Connector No Ears	RW32G/12	RW33G/12	RW43G/12	RW44G/12
MILL	13.30	13.60	14.74	16.05
PPC	13.83	14.12	15.27	16.58

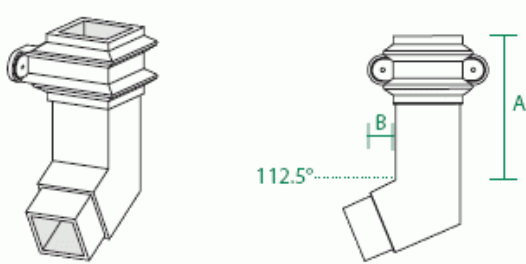
Pipe (mm)	75 x 50	75 x 75	100 x 75	100 x 100
Connector with Ears	RW32G/13	RW33G/13	RW43G/13	RW44G/13
MILL	14.09	14.38	15.50	16.77
PPC	14.62	14.91	16.02	17.29

COLLAR BRACKETS



Pipe (mm)	75 x 50	75 x 75	100 x 75	100 x 100
Code	RW32G/15	RW33G/15	RW43G/15	RW44G/15
MILL	6.51	6.51	7.08	7.83
PPC	7.04	7.04	7.60	8.36

BENDS

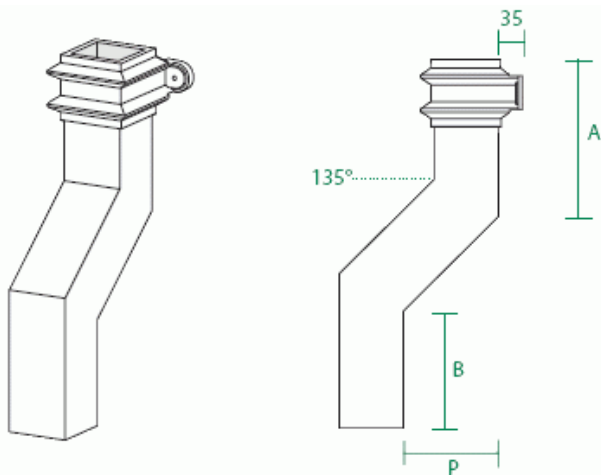


left hand with ears
shown

Pipe (mm)	75 x 50	75 x 75	100 x 75	100 x 100
Bend No Ears	RW32G/21	RW33G/21	RW43G/21	RW44G/21
MILL	18.20	19.57	21.57	23.91
PPC	18.77	20.34	22.46	25.00
Bend with Ears	RW32G/22	RW33G/22	RW43G/22	RW44G/22
MILL	18.98	19.57	21.57	24.62
PPC	19.56	20.34	22.46	25.71

* Note: state left hand or right hand.

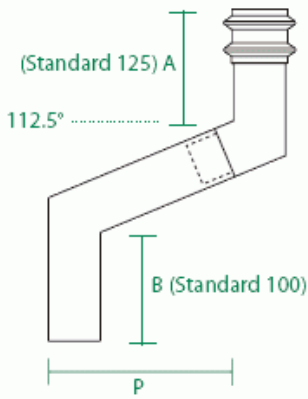
PLINTH OFFSETS



Pipe (mm)	75 x 50	75 x 75	100 x 75	100 x 100
Code*	RW32G/23	RW33G/23	RW43G/23	RW44G/23
MILL	19.49	21.19	24.39	27.23
PPC	20.41	22.35	25.75	28.82

* Please state projection required, up to 150mm is included in price. Please request price for larger projections.

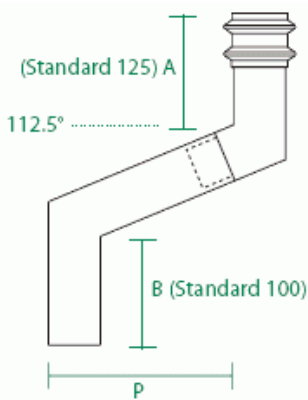
SWAN NECKS - 1 PIECE



Pipe (mm)	75 x 50	75 x 75	100 x 75	100 x 100
Code*	RW32G/25	RW33G/25	RW43G/25	RW44G/25
MILL	19.01	20.72	24.08	27.04
PPC	20.01	21.97	25.54	28.76

* Please state projection required, up to 300mm is included in price. Please request price for larger projections.

SWAN NECKS - 2 PIECE



Pipe (mm)	75 x 50	75 x 75	100 x 75	100 x 100
300 Max	RW32G/26	RW33G/26	RW43G/26	RW44G/26
MILL	25.35	27.50	31.47	34.93
PPC	26.68	29.18	33.43	37.23
450 Max	RW32G/27	RW33G/27	RW43G/27	RW44G/27
MILL	26.41	28.78	33.26	36.99
PPC	28.04	30.82	35.64	39.77
600 Max	RW32G/28	RW33G/28	RW43G/28	RW44G/28
MILL	27.51	30.11	35.12	39.11
PPC	29.44	32.51	37.92	42.38
900 Max	RW32G/29	RW33G/29	RW43G/29	RW44G/29
MILL	29.67	32.72	38.77	43.29
PPC	32.20	35.85	42.41	47.53
1200 Max	RW32G/30	RW33G/30	RW43G/30	RW44G/30
MILL	31.94	35.45	42.59	47.67
PPC	35.09	39.32	47.10	52.91

FIXINGS

Code	Item		
GM1	38 x Nr 14 Gutter Fixing	25NO	1.59
GM2	38 x Nr 14 Gutter Fixing	100NO	6.35
GM3	38 x Nr 14 Gutter Fixing	200NO	12.70
GM4	16 x No10 Pan Head Fixing	25NO	0.72
GM5	16 x No10 Pan Head Fixing	100NO	2.92
GM6	16 x No10 Pan Head Fixing	200NO	5.84
GM7	16 x No10 Pan Head Fixing	200NO	5.84
GM7	16 x No10 Counter Sunk Fixing	25NO	1.01
GM8	16 x No10 counter Sunk Fixing	100NO	4.04
GM9	16 x No10 Counter Sunk Fixing	200NO	8.09
GM10	4.8mm Sealed Rivet	25NO	1.03
GM11	4.8mm Sealed Rivet	100NO	4.13
GM12	4.8mm Sealed Rivet	200NO	8.25
GM13	4.8mm Peelback Rivet	25NO	0.99
GM14	4.8mm Peelback Rivet	100NO	3.96
GM15	4.8mm Peelback Rivet	200NO	7.92
GM20	30 x Nr 6 Pipe Fixing	25NO	4.28
GM21	30 x Nr 6 Pipe Fixing	100NO	17.14
GM30	400ml silicone	1NO	4.39
GM32	12mm Roll of Buytl Mastic Tape	1NO	2.75
GM34	Sealant Cleaner	1Ltr	8.40
GM40	Touch Up	0.5Ltr	18.79
GM50	Drill Bit 4.8mm	1NO	1.47
GM67	Lazy Tong Riveting Tool	1NO	46.07

Above prices exclude VAT

© Guttercrest 2012.

