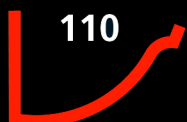
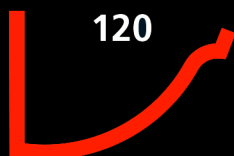


ALUMINIUM VICTORIAN OGEE GUTTERING

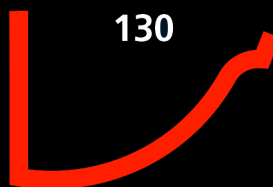
Inspired by the 19th century Cast Iron Gutters



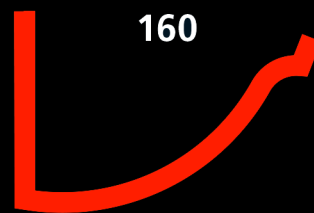
110



120



130



160

**other sizes available on request*

IF YOU DONT SEE WHAT YOU WANT - PLEASE ASK

Victorian Ogee Aluminium Gutter



INSPIRED
BY THE
19TH
CENTURY
CAST IRON
GUTTERS



Please Note Special Upside Down Side Rafter Brackets used on these Gutters

Aluminium - the Responsible Eco-choice

GUTTERCREST

www.guttercrest.co.uk

Aluminium Victorian Ogee Guttering



INSPIRED
BY THE
19TH
CENTURY
CAST IRON
GUTTERS



Aluminium - the Responsible Eco-choice

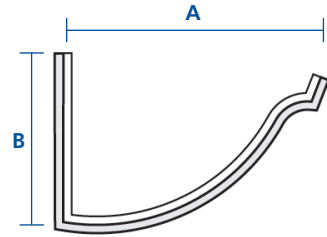
GUTTERCREST

www.guttercrest.co.uk

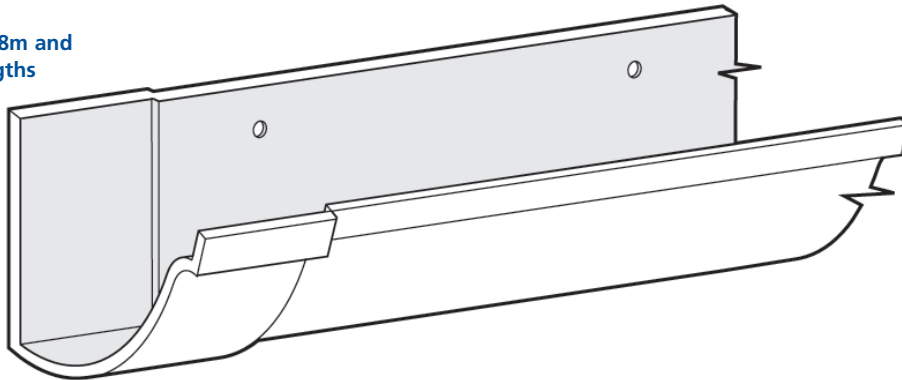
VICTORIAN OGEE GUTTERS & FITTINGS

STANDARD GUTTER LENGTHS

Gutter (mm)	3mtr	1.8mtr	A (mm)	B (mm)	Material Thickness
110	VOG1/1	VOG1/2	108	54	2.5
120	VOG2/1	VOG2/2	121	60	2.5
130	VOG3/1	VOG3/2	133	68	2.5
160	VOG4/1	VOG4/2	160	82	2.5

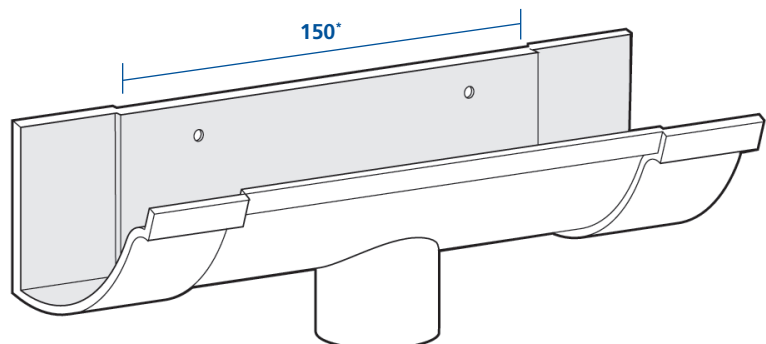
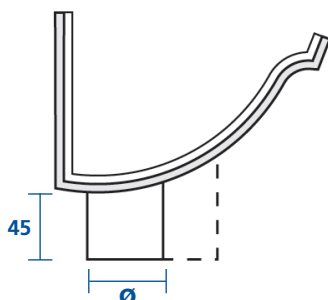


Standard 1.8m and 3m Lengths



OUTLETS

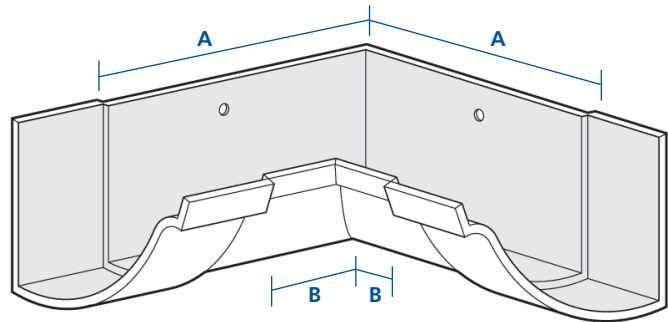
Gutter (mm)	Round			Square and Rectangular			
	63 Ø	75 Ø	100 Ø	75x50	75x75	100x75	100x100
110	VOG1/13	VOG1/14	—	VOG1/18	VOG1/19	VOG1/20	—
120	VOG2/13	VOG2/14	—	VOG2/18	VOG2/19	VOG2/20	—
130	VOG3/13	VOG3/14	VOG3/15	VOG3/18	VOG3/19	VOG3/20	VOG3/21
160	VOG4/13	VOG4/14	VOG4/15	VOG4/18	VOG4/19	VOG4/20	VOG4/21



ANGLES - INTERNAL AND EXTERNAL

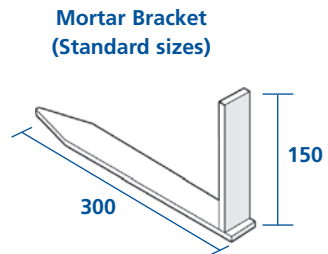
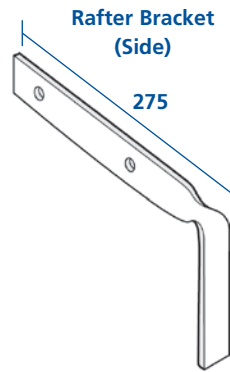
Gutter (mm)	90° External			90° Internal			135° External			135° Internal		
		A (mm)	B (mm)		A (mm)	B (mm)		A (mm)	B (mm)		A (mm)	B (mm)
110	VOG1/3	30	140	VOG1/4	140	30	VOG1/5	30	75	VOG1/6	75	30
120	VOG2/3	30	150	VOG2/4	150	30	VOG2/5	30	80	VOG2/6	80	30
130	VOG3/3	30	165	VOG3/4	165	30	VOG3/5	30	85	VOG3/6	85	30
160	VOG4/3	30	190	VOG4/4	190	30	VOG4/5	30	95	VOG4/6	95	30

Gutter (mm)	Irregular angle		When ordering an Irregular Angle, state Part No. and actual Fascia Angle & note that A+B lengths vary subject to angle
	External	Internal	
110	VOG1/7	VOG1/8	
120	VOG2/7	VOG2/8	
130	VOG3/7	VOG3/8	
160	VOG4/7	VOG4/8	



BRACKETS

Gutter (mm)	Side Rafter	*Top Rafter	Mortar Bracket
110	VOG1/29	VOG1/30	VOG1/31
120	VOG2/29	VOG2/30	VOG2/31
130	VOG3/29	VOG3/30	VOG3/31
160	VOG4/29	VOG4/30	VOG4/31

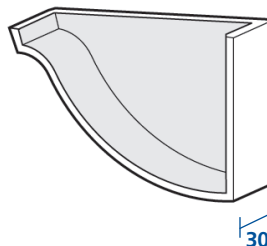


Special brackets on request

* We advise against the use of Top Rafter Brackets.

STOP ENDS

Gutter (mm)	R/H STOP END	L/H STOP END
110	VOG1/10	VOG1/11
120	VOG2/10	VOG2/11
130	VOG3/10	VOG3/11
160	VOG4/10	VOG4/11



External Stop Ends