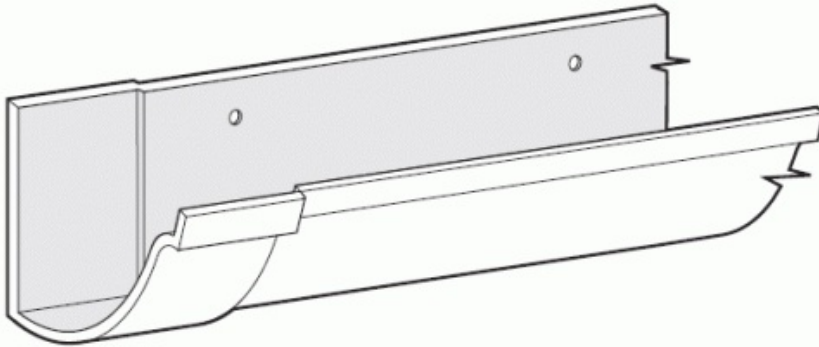


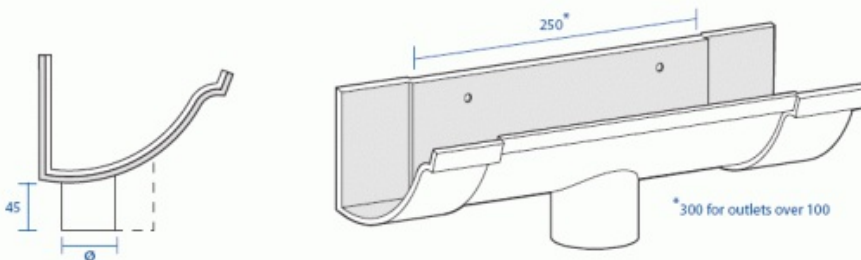
ALUMINIUM VICTORIAN OGEE GUTTERS

STANDARD GUTTER LENGTHS



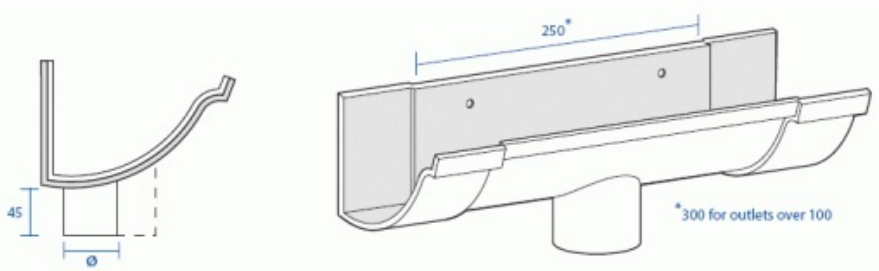
Gutter (mm)	110	120	130	160
3m	VOG1/1	VOG2/1	VOG3/1	VOG4/1
MILL	29.12	32.57	36.53	43.27
PPC	34.17	38.36	42.94	51.02
1.8m	VOG1/2	VOG2/2	VOG3/2	VOG4/2
MILL	21.79	24.27	26.40	30.80
PPC	24.85	27.78	30.28	35.67

OUTLETS ROUND



Pipe (mm)	110	120	130	160
63 Ø	VOG1/13	VOG2/13	VOG3/13	VOG4/13
MILL	18.82	19.56	20.42	22.42
PPC	19.39	20.23	21.16	23.30
75 Ø	VOG1/14	VOG2/14	VOG3/14	VOG4/14
MILL	18.81	19.66	20.54	22.49
PPC	19.38	20.32	21.27	23.35
100 Ø	-	-	VOG3/15	VOG4/15
MILL	-	-	21.14	23.07
PPC	-	-	21.87	24.06
125 Ø	-	-	-	VOG4/16
MILL	-	-	-	25.32
PPC	-	-	-	26.33

OUTLETS SQUARE & RECTANGULAR



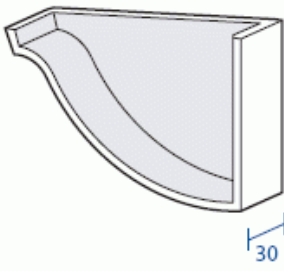
Pipe (mm)	110	120	130	160
75 x 50	VOG1/18	VOG2/18	VOG3/18	VOG4/18
MILL	20.96	21.74	22.52	24.60
PPC	21.54	22.41	23.35	25.48
75 x 75	VOG1/19	VOG2/19	VOG3/19	VOG4/19
MILL	21.24	22.07	22.98	24.90
PPC	21.83	22.74	23.72	25.78
100 x 75	VOG1/20	VOG2/20	VOG3/20	VOG4/20
MILL	21.87	22.74	23.71	25.52
PPC	22.45	23.40	24.44	26.41
100 x 100	-	-	VOG3/21	VOG4/21
MILL	-	-	24.24	26.27
PPC	-	-	24.98	27.16

ANGLES - INTERNAL & EXTERNAL

Gutter (mm)	90° External		90° Internal		135° External		135° Internal					
	A (mm)	B (mm)	A (mm)	B (mm)	A (mm)	B (mm)	A (mm)	B (mm)				
110	VOG1/3	150	260	VOG1/4	260	150	VOG1/5	150	195	VOG1/6	195	150
120	VOG2/3	150	270	VOG2/4	270	150	VOG2/5	150	200	VOG2/6	200	150
130	VOG3/3	150	285	VOG3/4	285	150	VOG3/5	150	205	VOG3/6	205	150
160	VOG4/3	150	310	VOG4/4	310	150	VOG4/5	150	215	VOG4/6	215	150

Gutter (mm)	110	120	130	160
90° External	VOG1/3	VOG2/3	VOG3/3	VOG4/3
MILL	17.41	19.14	20.80	24.53
PPC	18.25	20.13	21.92	25.95
90° Internal	VOG1/4	VOG2/4	VOG3/4	VOG4/4
MILL	17.41	19.14	20.80	24.53
PPC	18.25	20.13	21.92	25.95
135° External	VOG1/5	VOG2/5	VOG3/5	VOG4/5
MILL	16.41	17.74	19.19	22.11
PPC	17.15	18.60	20.15	23.29
135° Internal	VOG1/6	VOG2/6	VOG3/6	VOG4/6
MILL	16.41	17.74	19.19	22.11
PPC	17.15	18.60	20.15	23.29
Irregular angle External	VOG1/7	VOG2/7	VOG3/7	VOG4/7
MILL	21.97	24.17	26.28	31.01
PPC	22.82	25.16	27.42	32.43
Irregular angle Internal	VOG1/8	VOG2/8	VOG3/8	VOG4/8
MILL	22.82	24.17	26.28	31.01
PPC	22.82	25.16	27.42	32.43

STOP ENDS



Gutter (mm)	110	120	130	160
R/H Code	VOG1/10	VOG2/10	VOG3/10	VOG4/10
MILL	5.43	5.70	6.05	6.75
PPC	5.95	6.23	6.57	7.28
L/H Code	VOG1/11	VOG2/11	VOG3/11	VOG4/11
MILL	5.43	5.70	6.05	6.75
PPC	5.95	6.23	6.57	7.28

FIXINGS

Code	Item	Item	
GM1	38 x No.14 - 5.5 gutter fixing	25NO	1.59
GM2	38 x Mo.14 - 5.5 gutter fixing	100NO	6.35
GM3	38 x Mo.14 - 5.5 gutter fixing	200NO	12.70
GM4	16 x No10 Pan Head Fixing	25NO	0.72
GM5	16 x No10 Pan Head Fixing	100NO	2.92
GM6	16 x No10 Pan Head Fixing	200NO	5.84
GM7	16xNo10 Counter Sunk Fixing	25NO	1.01
GM8	16xNo10 Counter Sunk Fixing	100NO	4.04
GM9	16xNo10 Counter Sunk Fixing	200NO	8.09
GM10	48mm Sealed Rivet	25NO	1.03
GM11	48mm Sealed Rivet	100NO	4.13
GM12	48mm Sealed Rivet	200N	8.25
GM13	28mm Pullback Rivet	25NO	0.99
GM14	28mm Pullback Rivet	100NO	3.96
GM15	28mm Pullback Rivet	200NO	7.92
GM20	30 x 6 S/S DP fixing	25NO	4.28
GM21	30 x 6 S/S DP fixing	100NO	17.14
GM30	400ml silicone	1NO	4.39
GM32	12m Roll of Butyl Mastic Tape	1NO	2.75
GM34	1l Sealent cleaner	1Ltr	8.40
GM40	500ml Touch up	0.5Ltr	18.79
GM50	Drill Bit 4.8mm	1NO	1.47
GM67	Scissor / Lazy Tong Riveting Tool	1NO	46.07

Above prices exclude VAT and Delivery.

© Guttercrest 2012.

