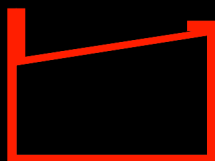
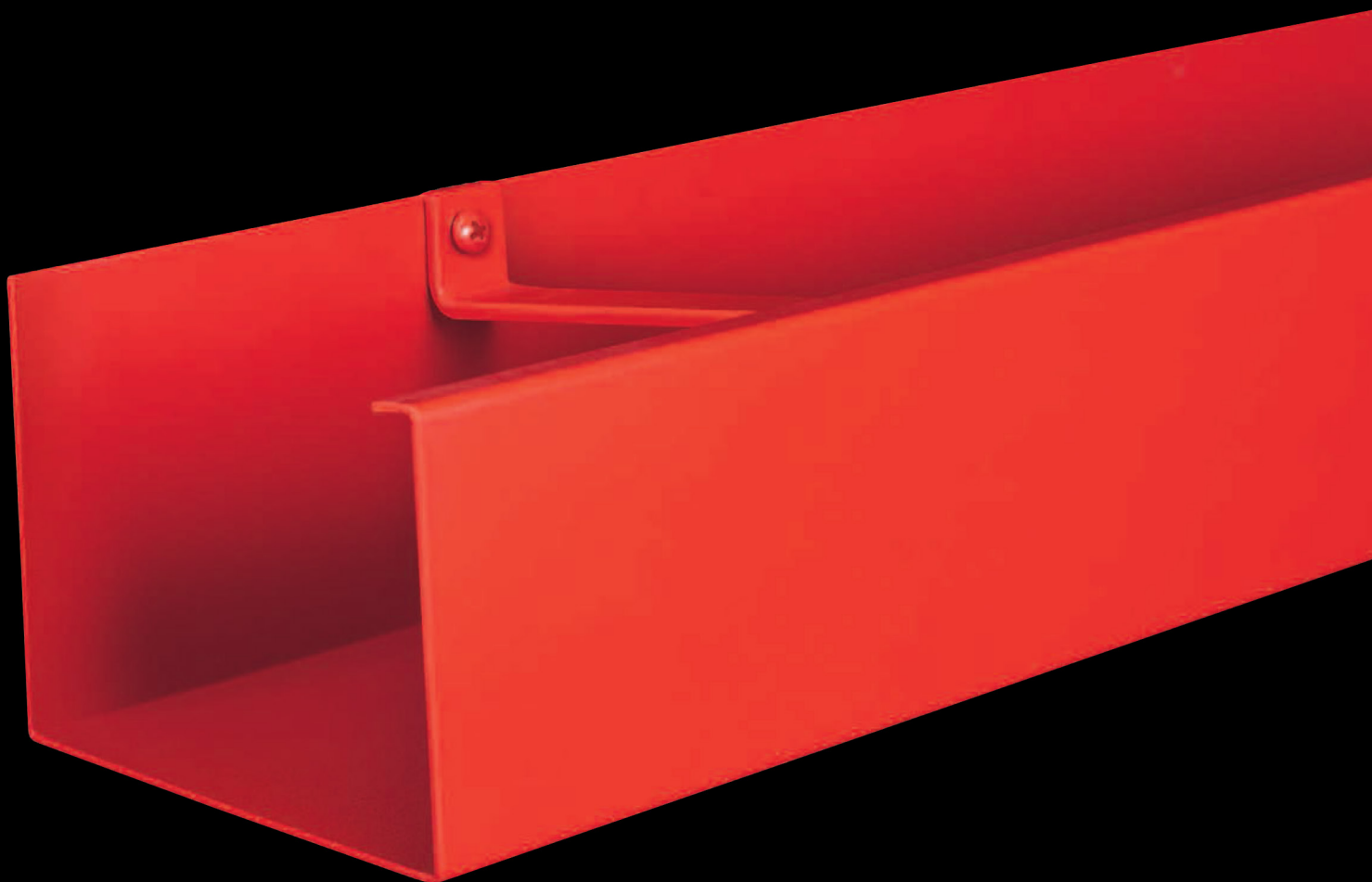
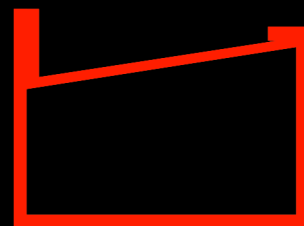


ALUMINIUM BOX GUTTERING



WIDE RANGE OF SIZES AVAILABLE

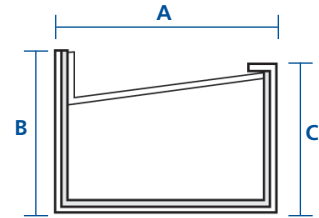


IF YOU DONT SEE WHAT YOU WANT - PLEASE ASK

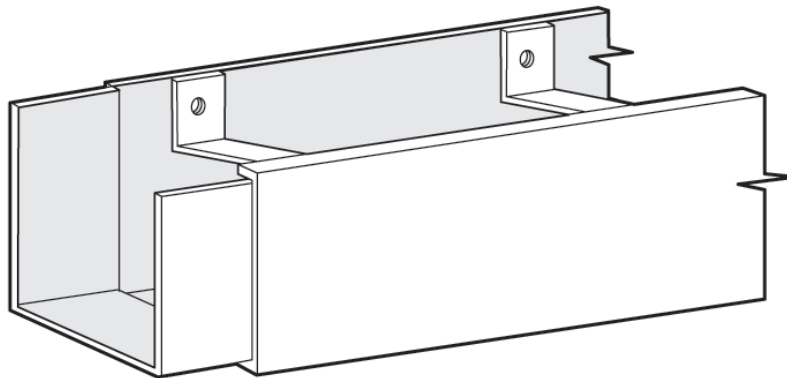
BOX GUTTERS *small sizes*

STANDARD GUTTER LENGTHS

Gutter (mm)	3mtr	1.5mtr	A (mm)	B (mm)	C (mm)	Material Thickness
100 x 75	BX1/1	BX1/2	100	85	75	2
100 x 100	BX2/1	BX2/2	100	110	100	2
125 x 100	BX3/1	BX3/2	125	110	100	2
150 x 100	BX4/1	BX4/2	150	110	100	2



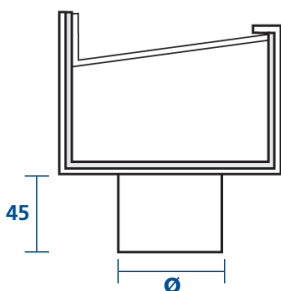
Wider or deeper gutters manufactured to size required



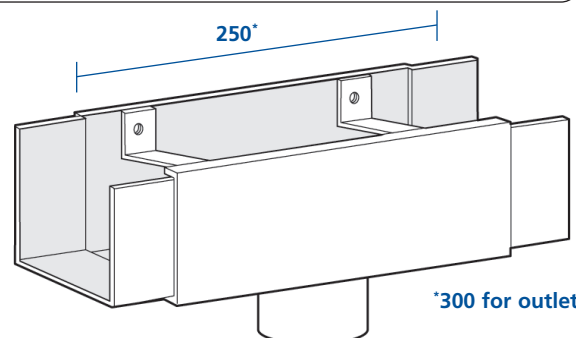
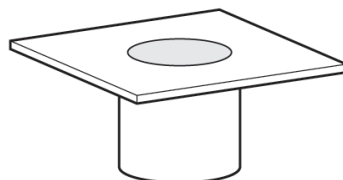
OUTLETS

Gutter (mm)	Round					Square and Rectangular					
	63 Ø	75 Ø	100 Ø	125 Ø	150 Ø	75x50	75x75	100x75	100x100	150x100	150x150
100 x 75	*BX1/13	*BX1/14	—	—	—	*BX1/18	*BX1/19	*BX1/20	—	—	—
100 x 100	*BX2/13	*BX2/14	—	—	—	*BX2/18	*BX2/19	*BX2/20	—	—	—
125 x 100	*BX3/13	*BX3/14	*BX3/15	—	—	*BX3/18	*BX3/19	*BX3/20	*BX3/21	*BX3/22	—
150 x 100	*BX4/13	*BX4/14	*BX4/15	*BX4/16	—	*BX4/18	*BX4/19	*BX4/20	*BX4/21	*BX4/22	—

ø outlet can be used in place of Running Outlets giving increased flexibility and cost efficiency



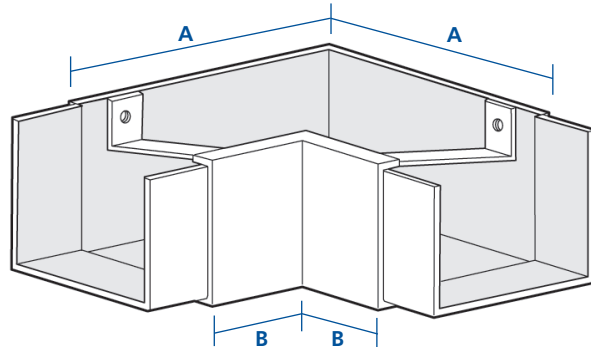
Sleeve Outlet



• ANGLES - INTERNAL AND EXTERNAL

Gutter (mm)	90° External			90° Internal			135° External			135° Internal		
		A (mm)	B (mm)		A (mm)	B (mm)		A (mm)	B (mm)		A (mm)	B (mm)
100 x 75	BX1/3	150	250	BX1/4	250	150	BX1/5	150	190	BX1/6	190	150
100 x 100	BX2/3	150	250	BX2/4	250	150	BX2/5	150	190	BX2/6	190	150
125 x 100	BX3/3	150	275	BX3/4	275	150	BX3/5	150	200	BX3/6	200	150
150 x 100	BX4/3	150	300	BX4/4	300	150	BX4/5	150	210	BX4/6	210	150

Gutter (mm)	Irregular angle		When ordering an Irregular Angle, state Ref No. and actual Fascia Angle & note that A+B lengths vary subject to angle
	External	Internal	
100 x 75	BX1/7	BX1/8	
100 x 100	BX2/7	BX2/8	
125 x 100	BX3/7	BX3/8	
150 x 100	BX4/7	BX4/8	

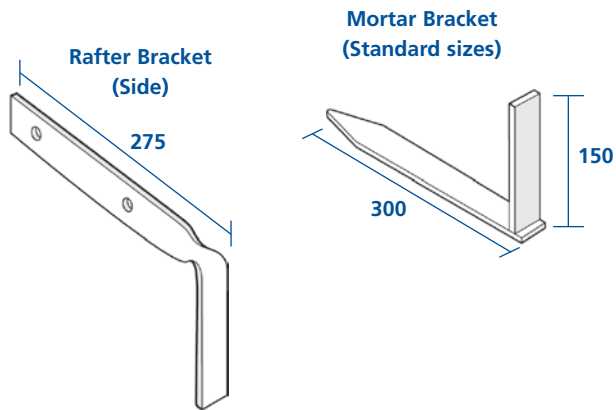


• BRACKETS

Gutter (mm)	Side Rafter	*Top Rafter	Mortar Bracket
100 x 75	BX1/29	BX1/30	BX1/31
100 x 100	BX2/29	BX2/30	BX2/31
125 x 100	BX3/29	BX3/30	BX3/31
150 x 100	BX4/29	BX4/30	BX4/31

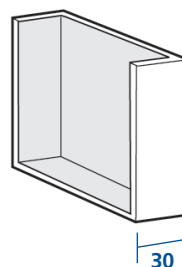
Special brackets on request

* We advise against the use of Top Rafter Brackets.



• STOP ENDS

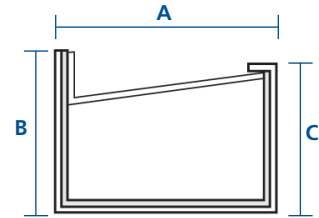
Gutter (mm)	R/H stop end	L/H stop end
100 x 75	BX1/10	BX1/11
100 x 100	BX2/10	BX2/11
125 x 100	BX3/10	BX3/11
150 x 100	BX4/10	BX4/11



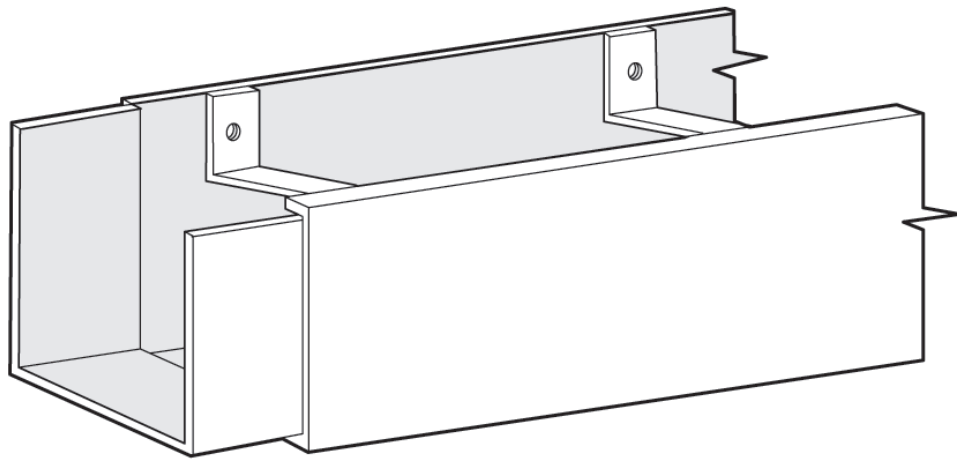
BOX GUTTERS *large sizes*

STANDARD GUTTER LENGTHS

Gutter (mm)	3mtr	1.5mtr	A (mm)	B (mm)	C (mm)	Material Thickness
150 x 150	BX5/1	BX5/2	150	160	150	2
200 x 150	BX6/1	BX6/2	200	160	150	2
200 x 200	BX7/1	BX7/2	200	210	200	2
300 x 200	BX8/1	BX8/2	300	220	200	2



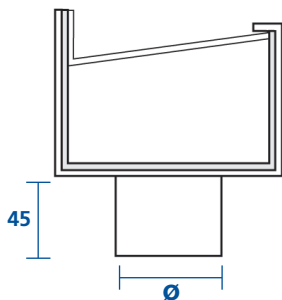
Wider or deep



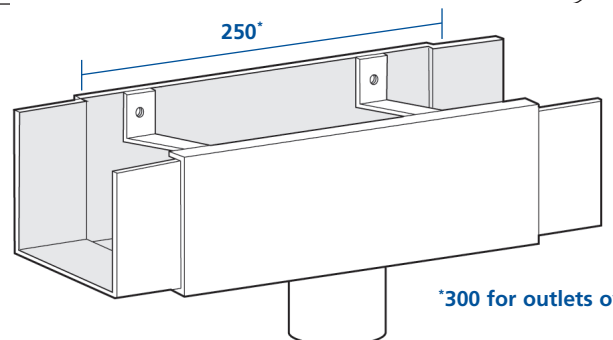
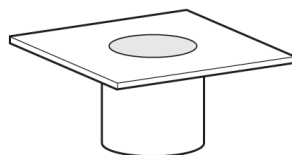
OUTLETS

Gutter (mm)	Round					Square and Rectangular					
	63 Ø	75 Ø	100 Ø	125 Ø	150 Ø	75x50	75x75	100x75	100x100	150x100	150x150
150 x 150	*BX5/13	*BX5/14	*BX5/15	*BX5/16	—	*BX5/18	*BX5/19	*BX5/20	*BX5/21	*BX5/22	—
200 x 150	*BX6/13	*BX6/14	*BX6/15	*BX6/16	*BX6/17	*BX6/18	*BX6/19	*BX6/20	*BX6/21	*BX6/22	*BX6/23
200 x 200	*BX7/13	*BX7/14	*BX7/15	*BX7/16	*BX7/17	*BX7/18	*BX7/19	*BX7/20	*BX7/21	*BX7/22	*BX7/23
300 x 200	*BX8/13	*BX8/14	*BX8/15	*BX8/16	*BX8/17	*BX8/18	*BX8/19	*BX8/20	*BX8/21	*BX8/22	*BX8/23

* indicates a sleeve outlet can be used in place of Running Outlets giving increased flexibility and cost efficiency



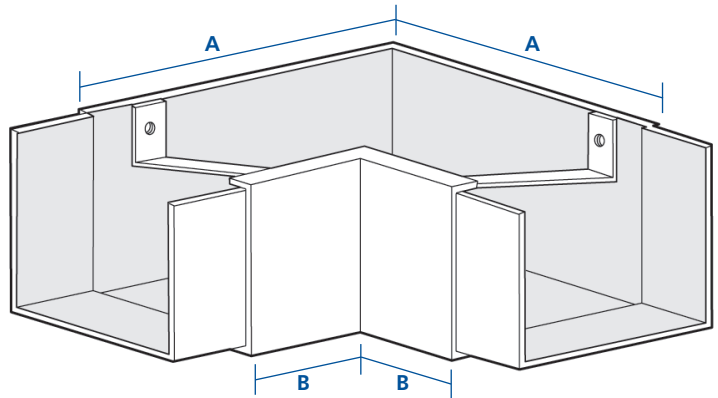
Sleeve Outlet



ANGLES - INTERNAL AND EXTERNAL

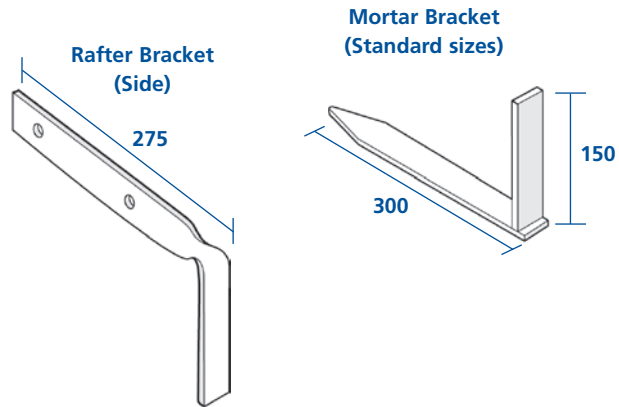
Gutter (mm)	90° External			90° Internal			135° External			135° Internal		
		A (mm)	B (mm)		A (mm)	B (mm)		A (mm)	B (mm)		A (mm)	B (mm)
150 x 150	BX5/3	150	300	BX5/4	300	150	BX5/5	150	210	BX5/6	210	150
200 x 150	BX6/3	150	350	BX6/4	350	150	BX6/5	150	230	BX6/6	230	150
200 x 200	BX7/3	150	350	BX7/4	350	150	BX7/5	150	230	BX7/6	230	150
300 x 200	BX8/3	150	450	BX8/4	450	150	BX8/5	150	270	BX8/6	270	150

Gutter (mm)	Irregular angle		When ordering an Irregular Angle, state Ref No. and actual Fascia Angle & note that A+B lengths vary subject to angle
	External	Internal	
150 x 150	BX5/7	BX5/8	
200 x 150	BX6/7	BX6/8	
200 x 200	BX7/7	BX7/8	
300 x 200	BX8/7	BX8/8	



BRACKETS

Gutter (mm)	Side Rafter	*Top Rafter	Mortar Bracket
*150 x 150	BX5/29	BX5/30	BX5/31
*200 x 150	BX6/29	BX6/30	BX6/31
*200 x 200	BX7/29	BX7/30	BX7/31
*300 x 200	BX8/29	BX8/30	BX8/31



Special brackets on request

**We recommend that gutters of these sizes should be directly fixed and not bracketed, in any instance we advise against the use of *Top Rafter Brackets.*

STOP ENDS

Gutter (mm)	R/H stop end	L/H stop end
150 x 150	BX5/10	BX5/11
200 x 150	BX6/10	BX6/11
200 x 200	BX7/10	BX7/11
300 x 200	BX8/10	BX8/11

