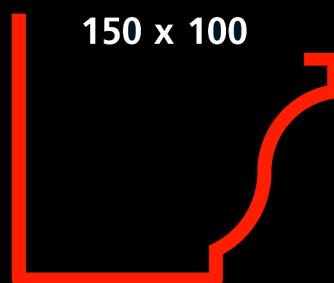
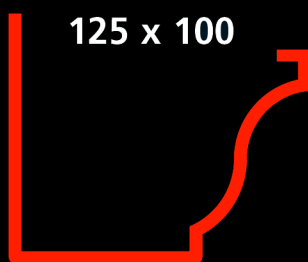
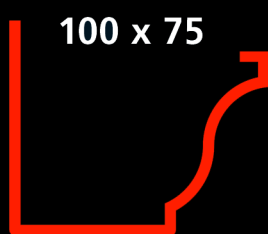
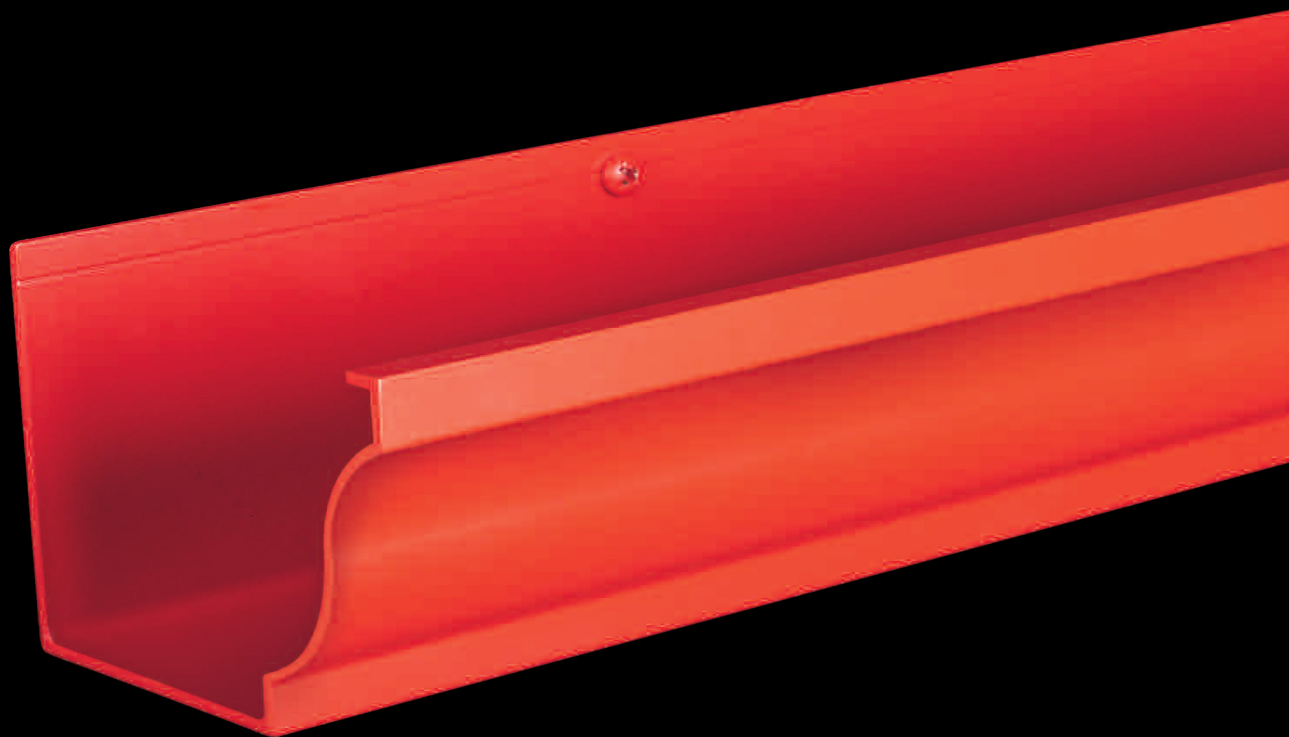


# **ALUMINIUM MOULDED OGEE GUTTERING (SMALL SIZES)**

Inspired by the 19th century Cast Iron Gutters



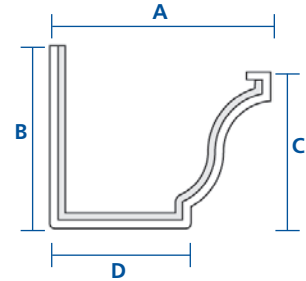
*\*other sizes available on request*

**IF YOU DONT SEE WHAT YOU WANT - PLEASE ASK**

# MOULDED OGEE (Type 46) small sizes

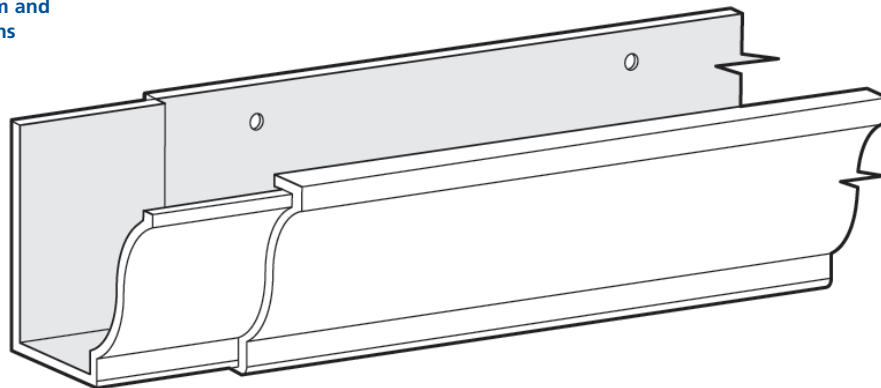
## STANDARD GUTTER LENGTHS

Gutter (mm)	3mtr	1.8mtr	A (mm)	B (mm)	C (mm)	D (mm)	Material Thickness
100 x 75	MOG1/1	MOG1/2	100	80	75	67	2.25
125 x 100	MOG2/1	MOG2/2	125	105	100	84	2.5
150 x 100	MOG3/1	MOG3/2	150	110	100	100	3



Wider or deeper gutters manufactured to size required

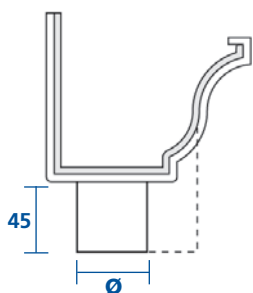
Standard 1.8m and 3m Lengths



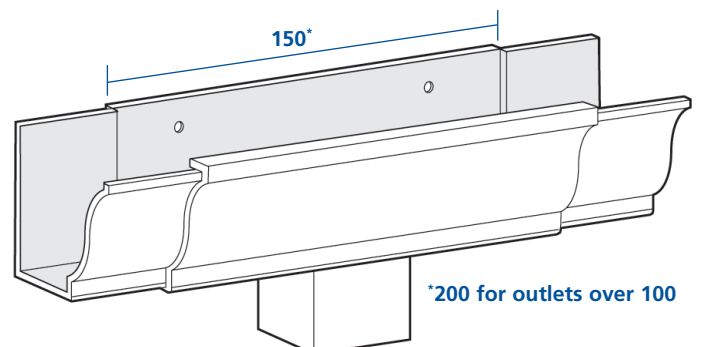
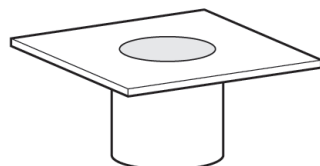
## OUTLETS

Gutter (mm)	Round					Square and Rectangular					
	63 Ø	75 Ø	100 Ø	125 Ø	150 Ø	75x50	75x75	100x75	100x100	150x100	150x150
100 x 75	MOG1/13	MOG1/14	—	—	—	MOG1/18	MOG1/19	MOG1/20	—	—	—
125 x 100	MOG2/13*	MOG2/14	MOG2/15	—	—	MOG2/18*	MOG2/19	MOG2/20	MOG2/21	MOG2/22	—
150 x 100	MOG3/13*	MOG3/14*	MOG3/15	MOG3/16	—	MOG3/18*	MOG3/19*	MOG3/20*	MOG3/21	MOG3/22	—

\* indicates a sleeve outlet can be used in place of Running Outlets giving increased flexibility and cost efficiency



Sleeve outlet

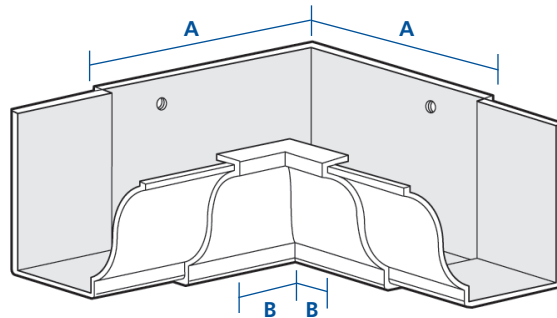


# MOULDED OGEE (Type 46) small sizes

## ANGLES - INTERNAL AND EXTERNAL

Gutter (mm)	90° External			90° Internal			135° External			135° Internal		
		A (mm)	B (mm)		A (mm)	B (mm)		A (mm)	B (mm)		A (mm)	B (mm)
100 x 75	MOG1/3	30	130	MOG1/4	130	30	MOG1/5	30	70	MOG1/6	70	30
125 x 100	MOG2/3	30	155	MOG2/4	155	30	MOG2/5	30	80	MOG2/6	80	30
150 x 100	MOG3/3	30	180	MOG3/4	180	30	MOG3/5	30	90	MOG3/6	90	30

Gutter (mm)	Irregular angle		When ordering an Irregular Angle, state Ref No. and actual Fascia Angle & note that A+B lengths vary subject to angle
	External	Internal	
100 x 75	MOG1/7	MOG1/8	
125 x 100	MOG2/7	MOG2/8	
150 x 100	MOG3/7	MOG3/8	

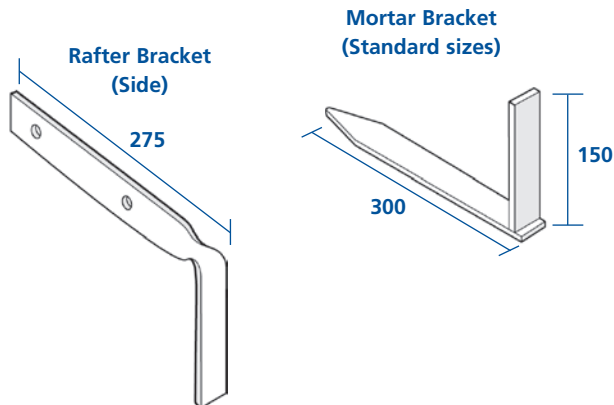


## BRACKETS

Gutter (mm)	Side Rafter	*Top Rafter	Mortar Bracket
100 x 75	MOG1/29	MOG1/30	MOG1/31
125 x 100	MOG2/29	MOG2/30	MOG2/31
150 x 100	MOG3/29	MOG3/30	MOG3/31

Special brackets on request

\*We advise against the use of Top Rafter Brackets.



## STOP ENDS

Gutter (mm)	R/H STOP END	L/H STOP END
100 x 75	MOG1/10	MOG1/11
125 x 100	MOG2/10	MOG2/11
150 x 100	MOG3/10	MOG3/11

