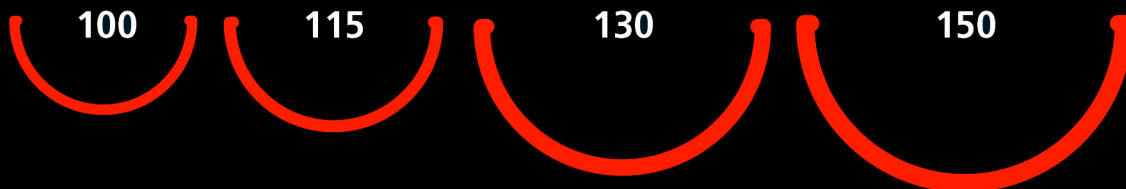


# **ALUMINIUM HALF ROUND GUTTERING**

Inspired by the 19th century Cast Iron Gutters



*\*other sizes available on request*

**IF YOU DONT SEE WHAT YOU WANT - PLEASE ASK**

# Aluminium Half Round Guttering



INSPIRED  
BY THE  
19TH  
CENTURY  
CAST IRON  
GUTTERS



***Aluminium - the Responsible Eco-choice***

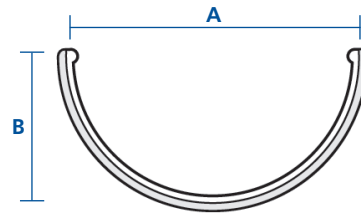
**GUTTERCREST**

[www.guttercrest.co.uk](http://www.guttercrest.co.uk)

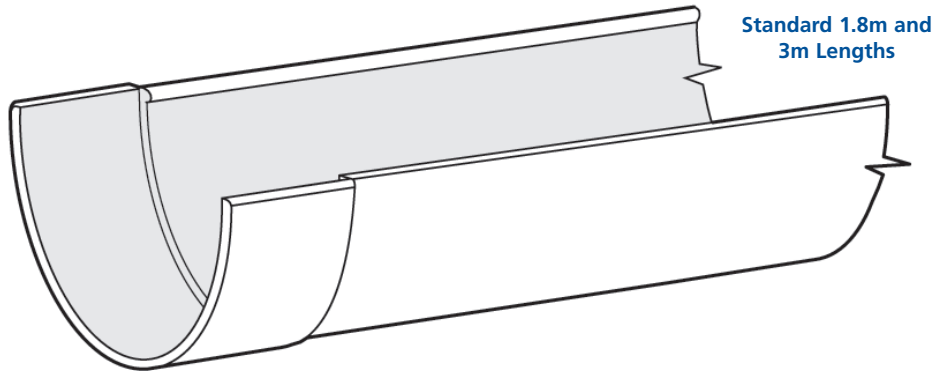
# HALF ROUND GUTTERS AND FITTINGS

## STANDARD GUTTER LENGTHS

Gutter (mm)	3mtr	1.8mtr	A (mm)	B (mm)	Material Thickness
100	HR1/1	HR1/2	100	50	2
115	HR2/1	HR2/2	115	57.5	2
130	HR3/1	HR3/2	130	65	2
150	HR4/1	HR4/2	150	75	2.5

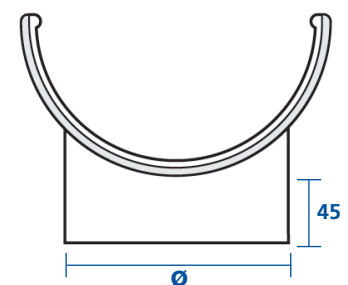
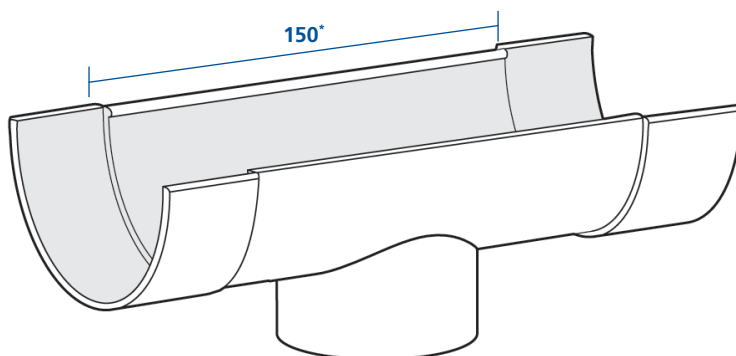


Other sizes manufactured as required  
200mm Available to Order



## OUTLETS

Gutter (mm)	Round			Square and Rectangular			
	63 Ø	75 Ø	100 Ø	75x50	75x75	100x75	100x100
100	HR1/13	HR1/14	—	HR1/18	HR1/19	HR1/20	—
115	HR2/13	HR2/14	HR2/15	HR2/18	HR2/19	HR2/20	HR2/21
130	HR3/13	HR3/14	HR3/15	HR3/18	HR3/19	HR3/20	HR3/21
150	HR4/13	HR4/14	HR4/15	HR4/18	HR4/19	HR4/20	HR4/21

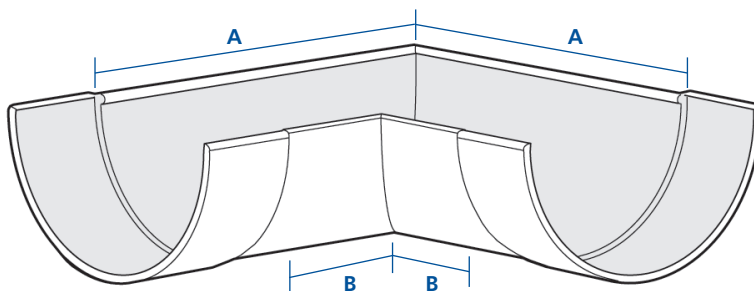


\*300 for outlets over 100

# HALF ROUND GUTTERS AND FITTINGS

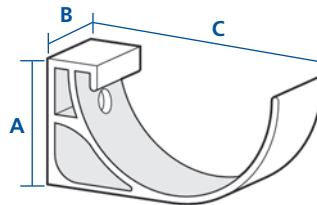
## • ANGLES - INTERNAL AND EXTERNAL

Gutter (mm)	90°			135°			Irregular angle	
		A (mm)	B (mm)		A (mm)	B (mm)		When ordering an Irregular Angle, state Ref No. and actual Fascia Angle & note that A+B lengths vary subject to angle
100	HR1/3	130	30	HR1/5	70	30	HR1/7	
115	HR2/3	150	30	HR2/5	75	30	HR2/7	
130	HR3/3	160	30	HR3/5	85	30	HR3/7	
150	HR4/3	180	30	HR4/5	90	30	HR4/7	



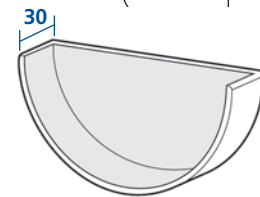
## • FASCIA BRACKETS

Gutter (mm)	Bracket	A (mm)	B (mm)	C (mm)
100	HR1/28	57	30	114
115	HR2/28	65	30	130
130	HR3/28	73	30	145
150	HR4/28	83	30	166



## • STOP ENDS

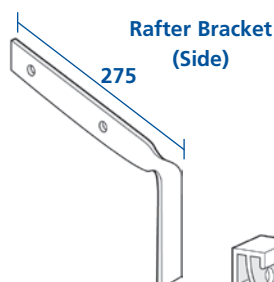
Gutter (mm)	Stop End
100	HR1/9
115	HR2/9
130	HR3/9
150	HR4/9



External Stop End

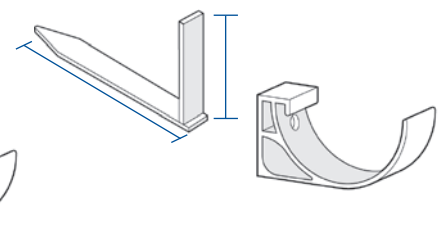
## • RAFTER & MORTAR BRACKETS

Gutter (mm)	Side Rafter	*Top Rafter	Mortar Bracket
100	HR1/29	HR1/30	HR1/31
115	HR2/29	HR2/30	HR2/31
130	HR3/29	HR3/30	HR3/31
150	HR4/29	HR4/30	HR4/31



Rafter Bracket (Side)

Mortar Bracket (Standard sizes)



### Special brackets on request

\*We advise against the use of Top Rafter Brackets.