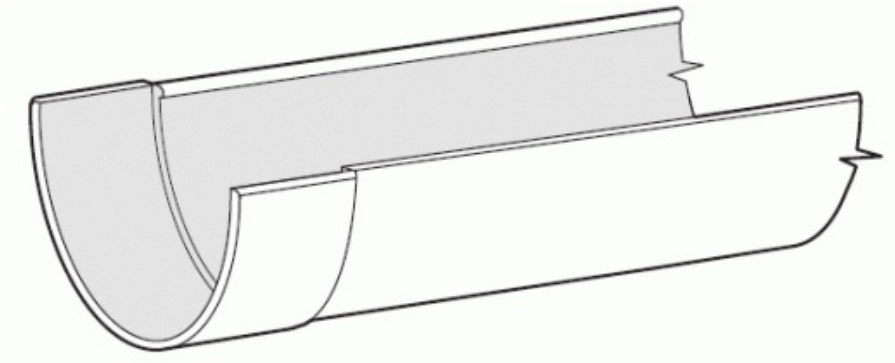


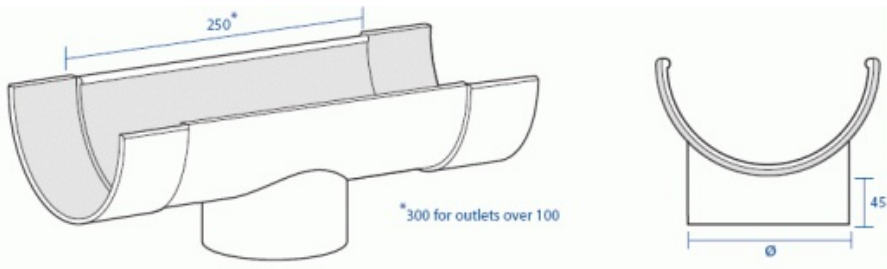
## ALUMINIUM HALF ROUND GUTTERS

### STANDARD GUTTER LENGTHS



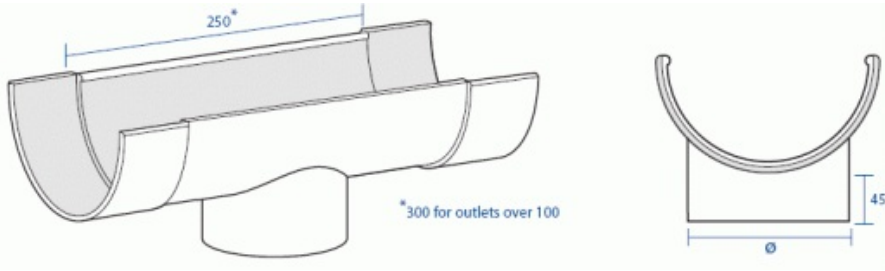
| Gutter (mm) | 100          | 115          | 130          | 150          |
|-------------|--------------|--------------|--------------|--------------|
| 3m          | HR1/1        | HR2/1        | HR3/1        | HR4/1        |
| <b>MILL</b> | <b>16.99</b> | <b>19.29</b> | <b>21.67</b> | <b>29.12</b> |
| <b>PPC</b>  | <b>21.60</b> | <b>24.60</b> | <b>27.73</b> | <b>36.10</b> |
| 1.8         | HR1/2        | HR2/2        | HR3/2        | HR4/2        |
| <b>MILL</b> | <b>13.06</b> | <b>14.57</b> | <b>16.15</b> | <b>21.14</b> |
| <b>PPC</b>  | <b>15.86</b> | <b>17.80</b> | <b>19.82</b> | <b>25.37</b> |

### OUTLETS ROUND



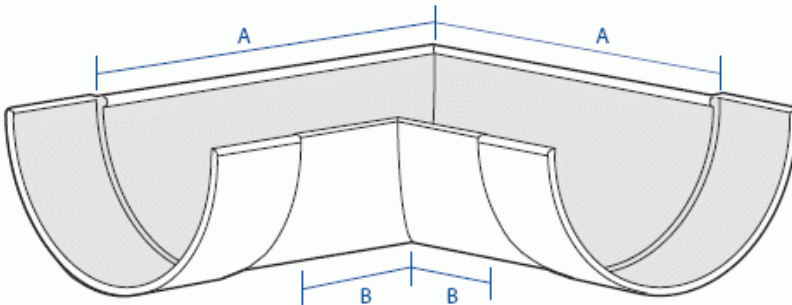
| Pipe (mm)   | 100          | 115          | 130          | 150          |
|-------------|--------------|--------------|--------------|--------------|
| 63 Ø        | HR1/13       | HR2/13       | HR3/13       | HR4/13       |
| <b>MILL</b> | <b>12.39</b> | <b>12.75</b> | <b>13.23</b> | <b>14.48</b> |
| <b>PPC</b>  | <b>12.93</b> | <b>13.36</b> | <b>13.92</b> | <b>15.28</b> |
| 75 Ø        | HR1/14       | HR2/14       | HR3/14       | HR4/14       |
| <b>MILL</b> | <b>12.51</b> | <b>12.83</b> | <b>13.31</b> | <b>14.55</b> |
| <b>PPC</b>  | <b>13.03</b> | <b>13.44</b> | <b>14.01</b> | <b>15.36</b> |
| 100 Ø       | -            | HR2/15       | HR3/15       | HR4/15       |
| <b>MILL</b> | -            | <b>13.44</b> | <b>13.92</b> | <b>15.13</b> |
| <b>PPC</b>  | -            | <b>14.05</b> | <b>14.62</b> | <b>15.94</b> |
| 125 Ø       | -            | -            | -            | HR4/16       |
| <b>MILL</b> | -            | -            | -            | <b>16.71</b> |
| <b>PPC</b>  | -            | -            | -            | <b>17.62</b> |

## OUTLETS SQUARE & RECTANGULAR



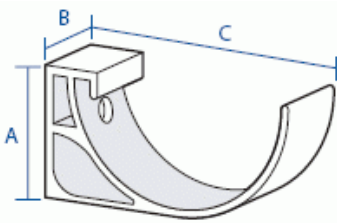
|             |              |              |              |              |
|-------------|--------------|--------------|--------------|--------------|
| Gutter (mm) | 100          | 115          | 130          | 150          |
| 75 x 50     | HR1/18       | HR2/18       | HR3/18       | HR4/18       |
| <b>MILL</b> | <b>14.99</b> | <b>15.35</b> | <b>15.83</b> | <b>17.18</b> |
| <b>PPC</b>  | <b>15.53</b> | <b>15.96</b> | <b>16.53</b> | <b>17.90</b> |
| 75 x 75     | HR1/19       | HR2/19       | HR3/19       | HR4/19       |
| <b>MILL</b> | <b>15.15</b> | <b>15.48</b> | <b>15.96</b> | <b>17.20</b> |
| <b>PPC</b>  | <b>15.68</b> | <b>16.09</b> | <b>16.65</b> | <b>18.00</b> |
| 100 x 75    | HR1/20       | HR2/20       | HR3/20       | HR4/20       |
| <b>MILL</b> | <b>15.57</b> | <b>15.88</b> | <b>16.36</b> | <b>17.59</b> |
| <b>PPC</b>  | <b>16.10</b> | <b>16.48</b> | <b>17.05</b> | <b>18.39</b> |
| 100 x 100   | -            | HR2/21       | HR3/21       | HR4/21       |
| <b>MILL</b> | -            | <b>16.54</b> | <b>17.02</b> | <b>18.19</b> |
| <b>PPC</b>  | -            | <b>17.15</b> | <b>17.71</b> | <b>18.98</b> |
| 150 x 100   | -            | HR2/22       | HR3/22       | HR4/22       |
| <b>MILL</b> | -            | <b>17.76</b> | <b>18.34</b> | <b>19.34</b> |
| <b>PPC</b>  | -            | <b>18.54</b> | <b>19.13</b> | <b>20.38</b> |

## ANGLES - INTERNAL & EXTERNAL



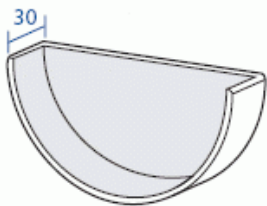
|                 |              |              |              |              |
|-----------------|--------------|--------------|--------------|--------------|
| Gutter (mm)     | 100          | 115          | 130          | 150          |
| 90°             | HR1/3        | HR2/3        | HR3/3        | HR4/3        |
| <b>MILL</b>     | <b>10.03</b> | <b>10.79</b> | <b>11.86</b> | <b>14.63</b> |
| <b>PPC</b>      | <b>10.78</b> | <b>11.70</b> | <b>12.92</b> | <b>15.89</b> |
| 135°            | HR1/5        | HR2/5        | HR3/5        | HR4/5        |
| <b>MILL</b>     | <b>9.40</b>  | <b>10.01</b> | <b>10.78</b> | <b>12.93</b> |
| <b>PPC</b>      | <b>10.06</b> | <b>10.78</b> | <b>11.69</b> | <b>13.98</b> |
| Irregular angle | HR1/7        | HR2/7        | HR3/7        | HR4/7        |
| <b>MILL</b>     | <b>12.75</b> | <b>13.76</b> | <b>15.13</b> | <b>18.65</b> |
| <b>PPC</b>      | <b>13.53</b> | <b>14.70</b> | <b>16.22</b> | <b>19.95</b> |

## FASCIA BRACKETS



| Gutter (mm) | 100         | 115         | 130         | 150         |
|-------------|-------------|-------------|-------------|-------------|
| Code        | HR1/28      | HR2/28      | HR3/28      | HR4/28      |
| <b>MILL</b> | <b>1.85</b> | <b>1.95</b> | <b>2.05</b> | <b>2.18</b> |
| <b>PPC</b>  | <b>2.37</b> | <b>2.48</b> | <b>2.57</b> | <b>2.71</b> |

## STOP ENDS



| Gutter (mm) | 100         | 115         | 130         | 150         |
|-------------|-------------|-------------|-------------|-------------|
| Code        | HR1/9       | HR2/9       | HR3/9       | HR4/9       |
| <b>MILL</b> | <b>3.75</b> | <b>3.82</b> | <b>3.97</b> | <b>4.34</b> |
| <b>PPC</b>  | <b>4.27</b> | <b>4.35</b> | <b>4.49</b> | <b>4.86</b> |

## FIXINGS

| Code | Item                              | Quantity | Price |
|------|-----------------------------------|----------|-------|
| GM1  | 38 x No.14 - 5.5 gutter fixing    | 25NO     | 1.59  |
| GM2  | 38 x Mo.14 - 5.5 gutter fixing    | 100NO    | 6.35  |
| GM3  | 38 x Mo.14 - 5.5 gutter fixing    | 200NO    | 12.70 |
| GM4  | 16 x No10 Pan Head Fixing         | 25NO     | 0.72  |
| GM5  | 16 x No10 Pan Head Fixing         | 100NO    | 2.92  |
| GM6  | 16 x No10 Pan Head Fixing         | 200NO    | 5.84  |
| GM7  | 16xNo10 Counter Sunk Fixing       | 25NO     | 1.01  |
| GM8  | 16xNo10 Counter Sunk Fixing       | 100NO    | 4.04  |
| GM9  | 16xNo10 Counter Sunk Fixing       | 200NO    | 8.09  |
| GM10 | 48mm Sealed Rivet                 | 25NO     | 1.03  |
| GM11 | 48mm Sealed Rivet                 | 100NO    | 4.13  |
| GM12 | 48mm Sealed Rivet                 | 200N     | 8.25  |
| GM13 | 28mm Pullback Rivet               | 25NO     | 0.99  |
| GM14 | 28mm Pullback Rivet               | 100NO    | 3.96  |
| GM15 | 28mm Pullback Rivet               | 200NO    | 7.92  |
| GM20 | 30 x 6 S/S DP fixing              | 25NO     | 4.28  |
| GM21 | 30 x 6 S/S DP fixing              | 100NO    | 17.14 |
| GM30 | 400ml silicone                    | 1NO      | 4.39  |
| GM32 | 12m Roll of Butyl Mastic Tape     | 1NO      | 2.75  |
| GM34 | 1l Sealent cleaner                | 1Ltr     | 8.40  |
| GM40 | 500ml Touch up                    | 0.5Ltr   | 18.79 |
| GM50 | Drill Bit 4.8mm                   | 1NO      | 1.47  |
| GM67 | Scissor / Lazy Tong Riveting Tool | 1NO      | 46.07 |

Above prices exclude VAT and Delivery.

© Guttercrest 2012.

