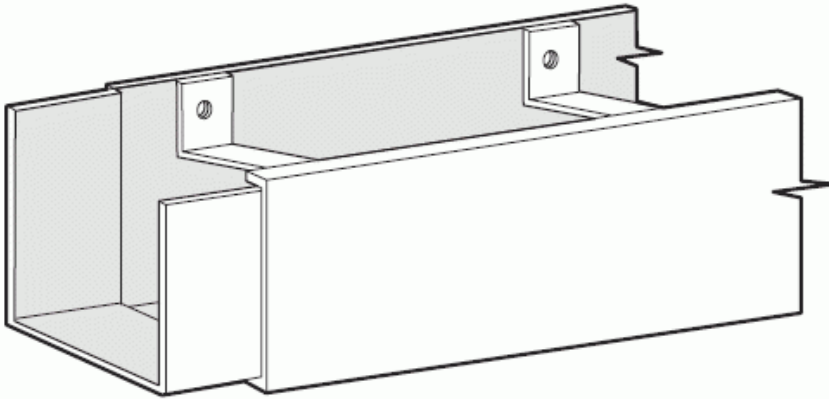


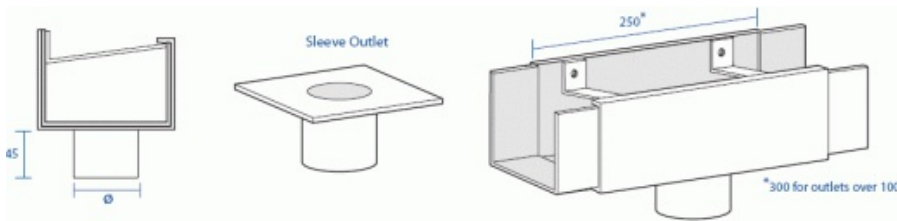
## ALUMINIUM BOX GUTTERS

### STANDARD GUTTER LENGTHS



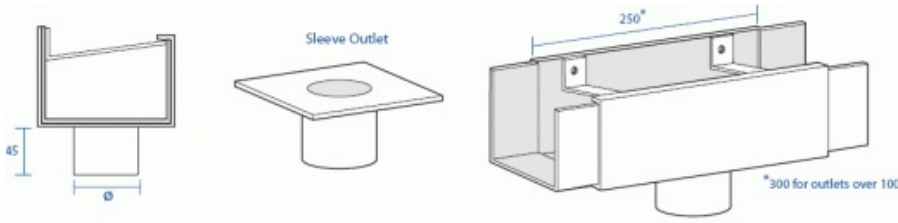
Gutter (mm)	100 x 75	100 x 100	125 x 100	150 x 100	150 x 150	200 x 150	200 x 200	300 x 200
3m	BX1/1	BX2/1	BX3/1	BX4/1	BX5/1	BX6/1	BX7/1	BX8/1
<b>MILL</b>	<b>37.88</b>	<b>43.48</b>	<b>44.71</b>	<b>45.59</b>	<b>57.44</b>	<b>66.79</b>	<b>71.45</b>	<b>84.81</b>
<b>PPC</b>	<b>44.07</b>	<b>50.70</b>	<b>52.59</b>	<b>54.04</b>	<b>68.21</b>	<b>78.70</b>	<b>85.64</b>	<b>101.61</b>
1.5m	BX1/2	BX2/2	BX3/2	BX4/2	BX5/2	BX6/2	BX7/2	BX8/2
<b>MILL</b>	<b>23.19</b>	<b>25.79</b>	<b>28.02</b>	<b>28.65</b>	<b>36.04</b>	<b>40.28</b>	<b>45.33</b>	<b>53.14</b>
<b>PPC</b>	<b>26.28</b>	<b>29.41</b>	<b>31.97</b>	<b>32.89</b>	<b>41.42</b>	<b>46.24</b>	<b>52.43</b>	<b>61.55</b>

### OUTLETS ROUND



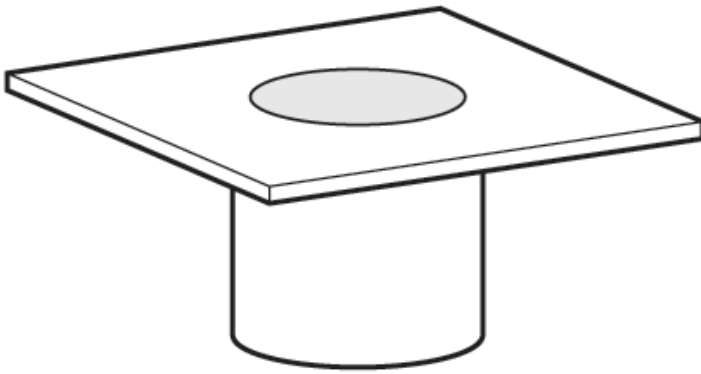
Pipe (mm)	100 x 75	100 x 100	125 x 100	150 x 100	150 x 150	200 x 150	200 x 200	300 x 200
63 Ø	BX1/13	BX2/13	BX3/13	BX4/13	BX5/13	BX6/13	BX7/13	BX8/13
<b>MILL</b>	<b>17.48</b>	<b>18.89</b>	<b>20.06</b>	<b>20.34</b>	<b>25.19</b>	<b>26.79</b>	<b>31.00</b>	<b>34.98</b>
<b>PPC</b>	<b>18.00</b>	<b>19.50</b>	<b>20.72</b>	<b>21.04</b>	<b>26.09</b>	<b>27.79</b>	<b>32.18</b>	<b>36.39</b>
75 Ø	BX1/14	BX2/14	BX3/14	BX4/14	BX5/14	BX6/14	BX7/14	BX8/14
<b>MILL</b>	<b>17.72</b>	<b>19.14</b>	<b>20.31</b>	<b>20.59</b>	<b>25.43</b>	<b>27.04</b>	<b>31.25</b>	<b>35.23</b>
<b>PPC</b>	<b>18.25</b>	<b>19.75</b>	<b>20.97</b>	<b>21.29</b>	<b>26.34</b>	<b>28.04</b>	<b>32.43</b>	<b>36.63</b>
100 Ø	-	-	BX3/15	BX4/15	BX5/15	BX6/15	BX7/15	BX8/15
<b>MILL</b>	-	-	<b>20.59</b>	<b>20.86</b>	<b>25.71</b>	<b>27.32</b>	<b>31.52</b>	<b>34.95</b>
<b>PPC</b>	-	-	<b>21.25</b>	<b>21.58</b>	<b>26.62</b>	<b>28.32</b>	<b>32.71</b>	<b>36.36</b>
125 Ø	-	-	-	BX4/16	BX5/16	BX6/16	BX7/16	BX8/16
<b>MILL</b>	-	-	-	<b>22.05</b>	<b>27.06</b>	<b>28.79</b>	<b>33.04</b>	<b>37.19</b>
<b>PPC</b>	-	-	-	<b>22.90</b>	<b>28.15</b>	<b>29.99</b>	<b>34.47</b>	<b>38.88</b>
150 Ø	-	-	-	-	-	BX6/17	BX7/17	BX8/17
<b>MILL</b>	-	-	-	-	-	<b>29.82</b>	<b>34.07</b>	<b>38.78</b>
<b>PPC</b>	-	-	-	-	-	<b>31.02</b>	<b>35.50</b>	<b>40.47</b>

## OUTLETS SQUARE & RECTANGULAR



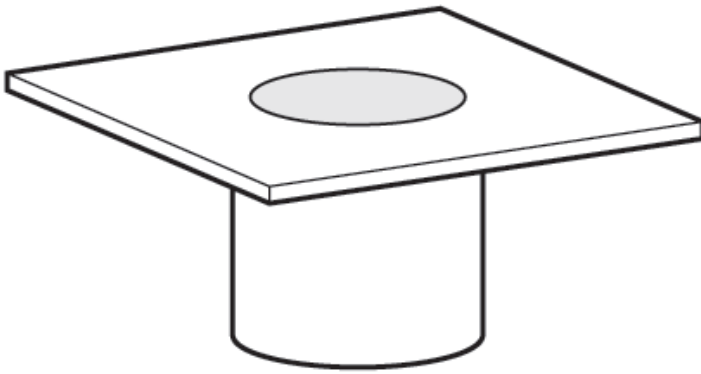
Gutter (mm)	100 x 75	100 x 100	125 x 100	150 x 100	150 x 150	200 x 150	200 x 200	300 x 200
	75 x 50	BX1/18	BX2/18	BX3/18	BX4/18	BX5/18	BX6/18	BX7/18
	BX1/18	BX2/18	BX3/18	BX4/18	BX5/18	BX6/18	BX7/18	BX8/18
<b>MILL</b>	<b>17.73</b>	<b>19.15</b>	<b>20.72</b>	<b>20.59</b>	<b>25.44</b>	<b>27.05</b>	<b>31.25</b>	<b>35.24</b>
<b>PPC</b>	<b>18.26</b>	<b>19.75</b>	<b>22.06</b>	<b>21.30</b>	<b>26.34</b>	<b>28.05</b>	<b>32.43</b>	<b>36.64</b>
75 x 75	BX1/19	BX2/19	BX3/19	BX4/19	BX5/19	BX6/19	BX7/19	BX8/19
<b>MILL</b>	<b>17.92</b>	<b>19.34</b>	<b>20.51</b>	<b>20.78</b>	<b>25.63</b>	<b>27.24</b>	<b>31.44</b>	<b>35.84</b>
<b>PPC</b>	<b>18.45</b>	<b>19.94</b>	<b>21.17</b>	<b>21.49</b>	<b>26.53</b>	<b>28.23</b>	<b>32.62</b>	<b>37.24</b>
100 x 75	BX1/20	BX2/20	BX3/20	BX4/20	BX5/20	BX6/20	BX7/20	BX8/20
<b>MILL</b>	<b>18.20</b>	<b>19.61</b>	<b>20.64</b>	<b>21.05</b>	<b>25.90</b>	<b>27.51</b>	<b>31.71</b>	<b>35.70</b>
<b>PPC</b>	<b>18.72</b>	<b>20.21</b>	<b>21.30</b>	<b>21.77</b>	<b>26.81</b>	<b>28.51</b>	<b>32.90</b>	<b>37.11</b>
100 x 100	-	-	BX3/21	BX4/21	BX5/21	BX6/21	BX7/21	BX8/21
<b>MILL</b>	-	-	<b>21.04</b>	<b>21.33</b>	<b>26.18</b>	<b>27.77</b>	<b>31.98</b>	<b>35.96</b>
<b>PPC</b>	-	-	<b>21.70</b>	<b>22.03</b>	<b>27.08</b>	<b>28.78</b>	<b>33.17</b>	<b>37.37</b>
150 x 100	-	-	BX3/22	BX4/22	BX5/22	BX6/22	BX7/22	BX8/22
<b>MILL</b>	-	-	<b>22.29</b>	<b>22.58</b>	<b>27.58</b>	<b>29.31</b>	<b>33.56</b>	<b>37.71</b>
<b>PPC</b>	-	-	<b>23.08</b>	<b>23.43</b>	<b>28.66</b>	<b>30.50</b>	<b>34.99</b>	<b>39.40</b>
150 x 150	-	-	-	-	-	BX6/23	BX7/23	BX8/23
<b>MILL</b>	-	-	-	-	-	<b>30.28</b>	<b>34.53</b>	<b>38.68</b>
<b>PPC</b>	-	-	-	-	-	<b>31.48</b>	<b>35.96</b>	<b>40.37</b>

## **ROUNDED SLEEVE OUTLETS**



Gutter (mm)	100 x 75	100 x 100	125 x 100	150 x 100	150 x 150	200 x 150	200 x 200	300 x 200
63 Ø	BX1/SO13	BX2/SO13	BX3/SO13	BX4/SO13	BX5/SO13	BX6/SO13	BX7/SO13	BX8/SO13
<b>MILL</b>	<b>6.64</b>	<b>6.64</b>	<b>6.64</b>	<b>6.64</b>	<b>6.64</b>	<b>6.64</b>	<b>6.64</b>	<b>6.64</b>
<b>PPC</b>	<b>7.54</b>	<b>7.54</b>	<b>7.54</b>	<b>7.54</b>	<b>7.54</b>	<b>7.54</b>	<b>7.54</b>	<b>7.54</b>
75 Ø	BX1/SO14	BX2/SO14	BX3/SO14	BX4/SO14	BX5/SO14	BX6/SO14	BX7/SO14	BX8/SO14
<b>MILL</b>	<b>7.12</b>	<b>7.12</b>	<b>7.12</b>	<b>7.12</b>	<b>7.12</b>	<b>7.12</b>	<b>7.12</b>	<b>7.12</b>
<b>PPC</b>	<b>8.02</b>	<b>8.02</b>	<b>8.02</b>	<b>8.02</b>	<b>8.02</b>	<b>8.02</b>	<b>8.02</b>	<b>8.02</b>
100 Ø	-	-	BX3/SO15	BX4/SO15	BX5/SO15	BX6/SO15	BX7/SO15	BX8/SO15
<b>MILL</b>	-	-	<b>7.64</b>	<b>7.64</b>	<b>7.64</b>	<b>7.64</b>	<b>7.64</b>	<b>7.64</b>
<b>PPC</b>	-	-	<b>8.54</b>	<b>8.54</b>	<b>8.54</b>	<b>8.54</b>	<b>8.54</b>	<b>8.54</b>
125 Ø	-	-	-	BX4/SO16	BX5/SO16	BX6/SO16	BX7/SO16	BX8/SO16
<b>MILL</b>	-	-	-	<b>8.41</b>	<b>8.41</b>	<b>8.41</b>	<b>8.41</b>	<b>8.41</b>
<b>PPC</b>	-	-	-	<b>9.31</b>	<b>9.31</b>	<b>9.31</b>	<b>9.31</b>	<b>9.31</b>
150 Ø	-	-	-	-	-	BX6/SO17	BX7/SO17	BX8/SO17
<b>MILL</b>	-	-	-	-	-	<b>9.57</b>	<b>9.57</b>	<b>9.57</b>
<b>PPC</b>	-	-	-	-	-	<b>10.47</b>	<b>10.47</b>	<b>10.47</b>

## SQUARE SLEEVE OUTLETS



Gutter (mm)	100 x 75	100 x 100	125 x 100	150 x 100	150 x 150	200 x 150	200 x 200	300 x 200
75 x 50	BX1/SO18	BX2/SO18	BX3/SO18	BX4/SO18	BX5/SO18	BX6/SO18	BX7/SO18	BX8/SO18
<b>MILL</b>	<b>7.12</b>	<b>7.12</b>	<b>7.12</b>	<b>7.12</b>	<b>7.12</b>	<b>7.12</b>	<b>7.12</b>	<b>7.12</b>
<b>PPC</b>	<b>8.02</b>	<b>8.02</b>	<b>8.02</b>	<b>8.02</b>	<b>8.02</b>	<b>8.02</b>	<b>8.02</b>	<b>8.02</b>
75 x 75	BX1/SO19	BX2/SO19	BX3/SO19	BX4/SO19	BX5/SO19	BX6/SO19	BX7/SO19	BX8/SO19
<b>MILL</b>	<b>7.48</b>	<b>7.48</b>	<b>7.48</b>	<b>7.48</b>	<b>7.48</b>	<b>7.48</b>	<b>7.48</b>	<b>7.48</b>
<b>PPC</b>	<b>8.38</b>	<b>8.38</b>	<b>8.38</b>	<b>8.38</b>	<b>8.38</b>	<b>8.38</b>	<b>8.38</b>	<b>8.38</b>
100 x 75	BX1/SO20	BX2/SO20	BX3/SO20	BX4/SO20	BX5/SO20	BX6/SO20	BX7/SO20	BX8/SO20
<b>MILL</b>	<b>7.98</b>	<b>7.98</b>	<b>7.98</b>	<b>7.98</b>	<b>7.98</b>	<b>7.98</b>	<b>7.98</b>	<b>7.98</b>
<b>PPC</b>	<b>8.88</b>	<b>8.88</b>	<b>8.88</b>	<b>8.88</b>	<b>8.88</b>	<b>8.88</b>	<b>8.88</b>	<b>8.88</b>
100 x 100	-	-	BX3/SO21	BX4/SO21	BX5/SO21	BX6/SO21	BX7/SO21	BX8/SO21
<b>MILL</b>	-	-	<b>8.12</b>	<b>8.12</b>	<b>8.12</b>	<b>8.12</b>	<b>8.12</b>	<b>8.12</b>
<b>PPC</b>	-	-	<b>9.02</b>	<b>9.02</b>	<b>9.02</b>	<b>9.02</b>	<b>9.02</b>	<b>9.02</b>
150 x 100	-	-	BX3/SO22	BX4/SO22	BX5/SO22	BX6/SO22	BX7/SO22	BX8/SO22
<b>MILL</b>	-	-	<b>9.92</b>	<b>9.92</b>	<b>9.92</b>	<b>9.92</b>	<b>9.92</b>	<b>9.92</b>
<b>PPC</b>	-	-	<b>10.82</b>	<b>10.82</b>	<b>10.82</b>	<b>10.82</b>	<b>10.82</b>	<b>10.82</b>
150 x 150	-	-	-	-	-	BX6/SO23	BX7/SO23	BX8/SO23
<b>MILL</b>	-	-	-	-	-	<b>11.75</b>	<b>11.75</b>	<b>11.75</b>
<b>PPC</b>	-	-	-	-	-	<b>12.65</b>	<b>12.65</b>	<b>12.65</b>

## ANGLES - INTERNAL & EXTERNAL

Gutter (mm)	90° External			90° Internal			135° External			135° Internal		
		A (mm)	B (mm)		A (mm)	B (mm)		A (mm)	B (mm)		A (mm)	B (mm)
100 x 75	BX1/3	150	250	BX1/4	250	150	BX1/5	150	190	BX1/6	190	150
100 x 100	BX2/3	150	250	BX2/4	250	150	BX2/5	150	190	BX2/6	190	150
125 x 100	BX3/3	150	275	BX3/4	275	150	BX3/5	150	200	BX3/6	200	150
150 x 100	BX4/3	150	300	BX4/4	300	150	BX4/5	150	210	BX4/6	210	150

Gutter (mm)	100 x 75	100 x 100	125 x 100	150 x 100	150 x 150	200 x 150	200 x 200	300 x 200
90° External	BX1/3	BX2/3	BX3/3	BX4/3	BX5/3	BX6/3	BX7/3	BX8/3
<b>MILL</b>	<b>20.60</b>	<b>22.67</b>	<b>25.26</b>	<b>25.87</b>	<b>32.39</b>	<b>37.37</b>	<b>42.67</b>	<b>53.62</b>
<b>PPC</b>	<b>21.63</b>	<b>23.88</b>	<b>26.72</b>	<b>27.56</b>	<b>34.54</b>	<b>40.16</b>	<b>45.99</b>	<b>58.67</b>

Gutter (mm)	100 x 75	100 x 100	125 x 100	150 x 100	150 x 150	200 x 150	200 x 200	300 x 200
90° Internal	BX1/4	BX2/4	BX3/4	BX4/4	BX5/4	BX6/4	BX7/4	BX8/4
<b>MILL</b>	<b>20.60</b>	<b>22.67</b>	<b>25.26</b>	<b>25.87</b>	<b>32.39</b>	<b>37.37</b>	<b>42.67</b>	<b>53.62</b>
<b>PPC</b>	<b>21.63</b>	<b>23.88</b>	<b>26.72</b>	<b>27.56</b>	<b>34.54</b>	<b>40.16</b>	<b>45.99</b>	<b>58.67</b>

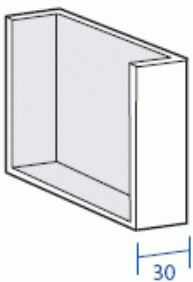
Gutter (mm)	100 x 75	100 x 100	125 x 100	150 x 100	150 x 150	200 x 150	200 x 200	300 x 200
135° External	BX1/5	BX2/5	BX3/5	BX4/5	BX5/5	BX6/5	BX7/5	BX8/5
<b>MILL</b>	<b>19.95</b>	<b>21.89</b>	<b>23.54</b>	<b>24.56</b>	<b>30.14</b>	<b>33.55</b>	<b>38.60</b>	<b>45.90</b>
<b>PPC</b>	<b>20.74</b>	<b>22.82</b>	<b>24.59</b>	<b>25.75</b>	<b>31.66</b>	<b>35.37</b>	<b>40.78</b>	<b>48.93</b>

Gutter (mm)	100 x 75	100 x 100	125 x 100	150 x 100	150 x 150	200 x 150	200 x 200	300 x 200
135° Internal	BX1/6	BX2/6	BX3/6	BX4/6	BX5/6	BX6/6	BX7/6	BX8/6
<b>MILL</b>	<b>19.95</b>	<b>21.89</b>	<b>23.54</b>	<b>24.56</b>	<b>30.14</b>	<b>33.55</b>	<b>38.60</b>	<b>45.90</b>
<b>PPC</b>	<b>20.74</b>	<b>22.82</b>	<b>24.59</b>	<b>25.75</b>	<b>31.66</b>	<b>35.37</b>	<b>40.78</b>	<b>48.93</b>

Gutter (mm)	100 x 75	100 x 100	125 x 100	150 x 100	150 x 150	200 x 150	200 x 200	300 x 200
Irregular angle External	BX1/7	BX2/7	BX3/7	BX4/7	BX5/7	BX6/7	BX7/7	BX8/7
<b>MILL</b>	<b>26.01</b>	<b>28.64</b>	<b>31.95</b>	<b>32.76</b>	<b>41.02</b>	<b>47.42</b>	<b>54.18</b>	<b>68.29</b>
<b>PPC</b>	<b>27.04</b>	<b>29.85</b>	<b>33.40</b>	<b>34.46</b>	<b>43.19</b>	<b>50.20</b>	<b>57.49</b>	<b>73.34</b>

Gutter (mm)	100 x 75	100 x 100	125 x 100	150 x 100	150 x 150	200 x 150	200 x 200	300 x 200
Irregular angle Internal	BX1/8	BX2/8	BX3/8	BX4/8	BX5/8	BX6/8	BX7/8	BX8/8
<b>MILL</b>	<b>26.01</b>	<b>28.64</b>	<b>31.95</b>	<b>32.76</b>	<b>41.02</b>	<b>47.42</b>	<b>54.18</b>	<b>68.29</b>
<b>PPC</b>	<b>27.04</b>	<b>29.85</b>	<b>33.40</b>	<b>34.46</b>	<b>43.19</b>	<b>50.20</b>	<b>57.49</b>	<b>73.34</b>

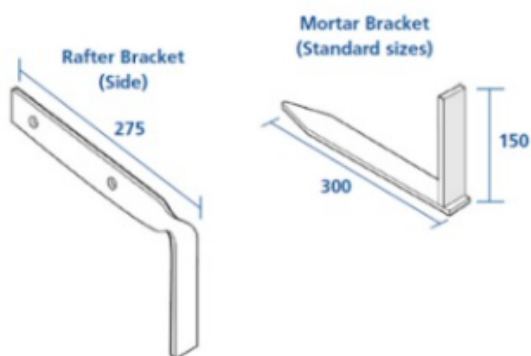
## STOP ENDS



Gutter (mm)	100 x 75	100 x 100	125 x 100	150 x 100	150 x 150	200 x 150	200 x 200	300 x 200
R/H Code	BX1/10	BX2/10	BX3/10	BX4/10	BX5/10	BX6/10	BX7/10	BX8/10
<b>MILL</b>	<b>3.15</b>	<b>3.29</b>	<b>3.39</b>	<b>3.50</b>	<b>4.18</b>	<b>4.46</b>	<b>4.99</b>	<b>5.74</b>
<b>PPC</b>	<b>3.68</b>	<b>3.81</b>	<b>3.92</b>	<b>4.02</b>	<b>4.70</b>	<b>4.99</b>	<b>5.51</b>	<b>6.33</b>

Gutter (mm)	100 x 75	100 x 100	125 x 100	150 x 100	150 x 150	200 x 150	200 x 200	300 x 200
L/H Code	BX1/11	BX2/11	BX3/11	BX4/11	BX5/11	BX6/11	BX7/11	BX8/11
<b>MILL</b>	<b>3.15</b>	<b>3.29</b>	<b>3.39</b>	<b>3.50</b>	<b>4.18</b>	<b>4.46</b>	<b>4.99</b>	<b>5.74</b>
<b>PPC</b>	<b>3.68</b>	<b>3.81</b>	<b>3.92</b>	<b>4.02</b>	<b>4.70</b>	<b>4.99</b>	<b>5.51</b>	<b>6.33</b>

## RAFTER & MORTAR BRACKETS



Gutter (mm)	100 x 75	100 x 100	125 x 100	150 x 100
Side Rafter	BX1/29	BX2/29	BX3/29	BX4/29
<b>MILL</b>	<b>3.83</b>	<b>3.83</b>	<b>3.83</b>	<b>3.83</b>
<b>PPC</b>	<b>4.36</b>	<b>4.36</b>	<b>4.36</b>	<b>4.36</b>
Top Rafter	BX1/30	BX2/30	BX3/30	BX4/30
<b>MILL</b>	<b>3.32</b>	<b>3.32</b>	<b>3.32</b>	<b>3.32</b>
<b>PPC</b>	<b>3.84</b>	<b>3.84</b>	<b>3.84</b>	<b>3.84</b>
Mortar Bracket	BX1/31	BX2/31	BX3/31	BX4/31
<b>MILL</b>	<b>4.96</b>	<b>4.96</b>	<b>4.96</b>	<b>4.96</b>
<b>PPC</b>	<b>5.48</b>	<b>5.48</b>	<b>5.48</b>	<b>5.48</b>

## FIXINGS

Code	Item	Item	
<b>GM1</b>	38 x No.14 - 5.5 gutter fixing	25NO	1.59
<b>GM2</b>	38 x Mo.14 - 5.5 gutter fixing	100NO	6.35
<b>GM3</b>	38 x Mo.14 - 5.5 gutter fixing	200NO	12.70
<b>GM4</b>	16 x No10 Pan Head Fixing	25NO	0.72
<b>GM5</b>	16 x No10 Pan Head Fixing	100NO	2.92
<b>GM6</b>	16 x No10 Pan Head Fixing	200NO	5.84
<b>GM7</b>	16xNo10 Counter Sunk Fixing	25NO	1.01
<b>GM8</b>	16xNo10 Counter Sunk Fixing	100NO	4.04
<b>GM9</b>	16xNo10 Counter Sunk Fixing	200NO	8.09
<b>GM10</b>	48mm Sealed Rivet	25NO	1.03
<b>GM11</b>	48mm Sealed Rivet	100NO	4.13
<b>GM12</b>	48mm Sealed Rivet	200NO	8.25
<b>GM13</b>	28mm Pullback Rivet	25NO	0.99
<b>GM14</b>	28mm Pullback Rivet	100NO	3.96
<b>GM15</b>	28mm Pullback Rivet	200NO	7.92
<b>GM20</b>	30 x 6 S/S DP fixing	25NO	4.28
<b>GM21</b>	30 x 6 S/S DP fixing	100NO	17.14
<b>GM30</b>	400ml silicone	1NO	4.39
<b>GM32</b>	12m Roll of Butyl Mastic Tape	1NO	2.75
<b>GM34</b>	1l Sealant cleaner	1Ltr	8.40
<b>GM40</b>	500ml Touch up	0.5Ltr	18.79
<b>GM50</b>	Drill Bit 4.8mm	1NO	1.47
<b>GM67</b>	Scissor / Lazy Tong Riveting Tool	1NO	46.07

Above prices exclude VAT and Delivery.

© Guttercrest 2012.

